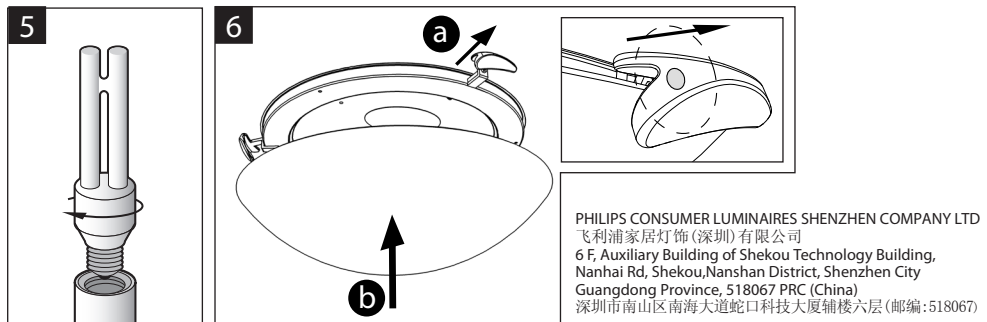
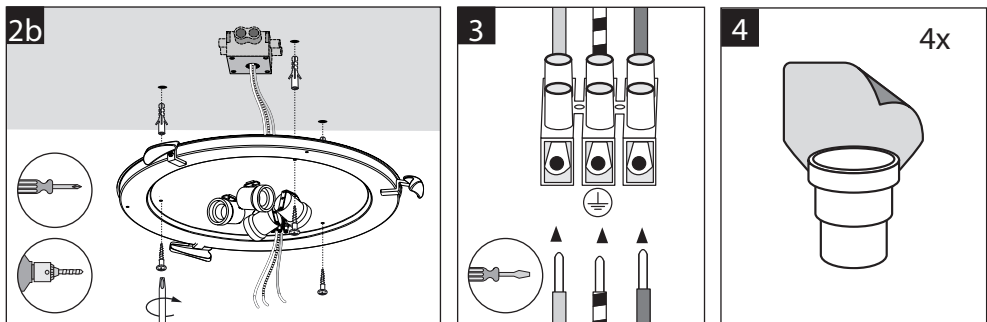
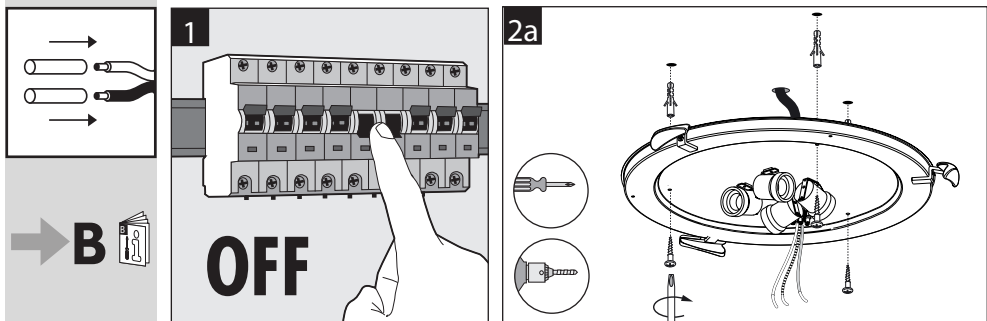
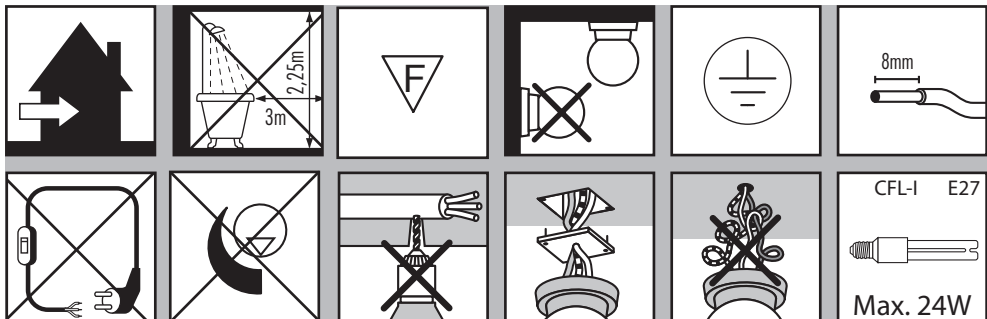




# PHILIPS

4404.018.02891  
Last update: 28/06/10



PHILIPS CONSUMER LUMINAIRES SHENZHEN COMPANY LTD  
飞利浦家居灯饰(深圳)有限公司  
6 F, Auxiliary Building of Shekou Technology Building,  
Nanhai Rd, Shekou, Nanshan District, Shenzhen City  
Guangdong Province, 518067 PRC (China)  
深圳市南山区南海大道蛇口科技大厦辅楼六层(邮编:518067)