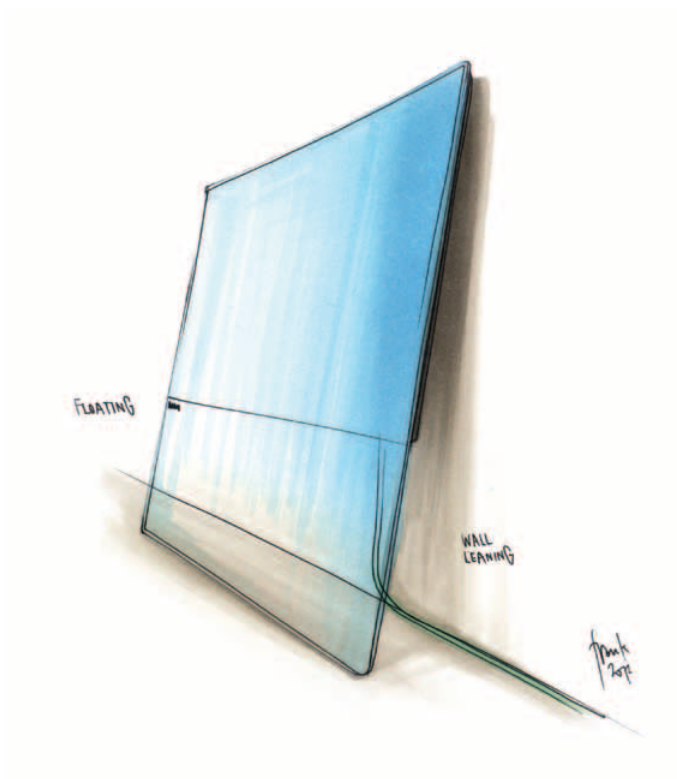
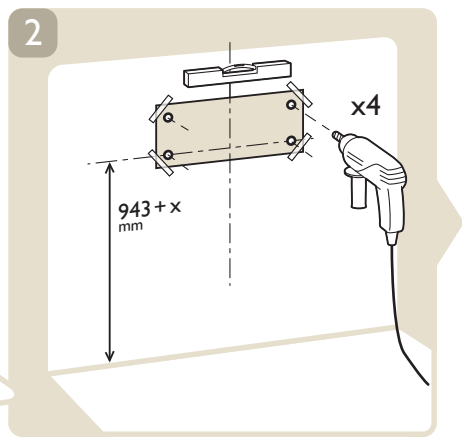
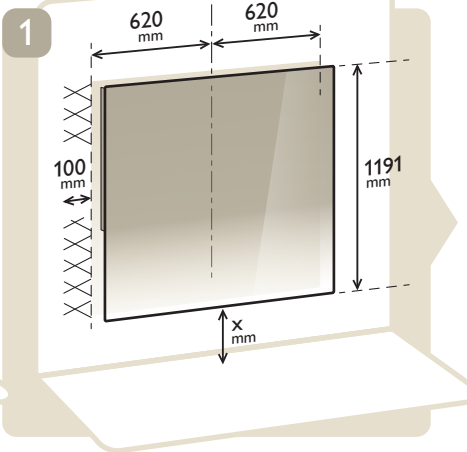
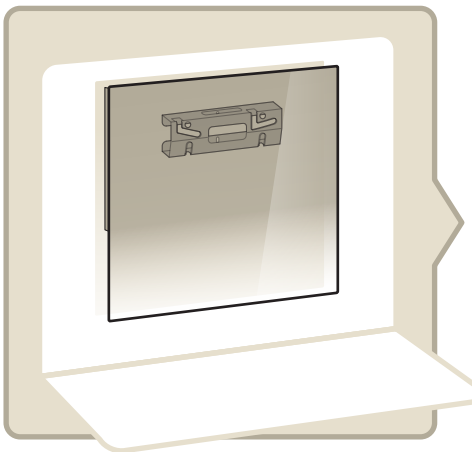
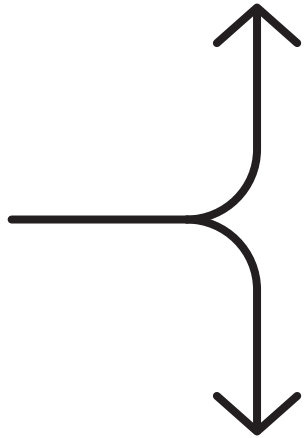
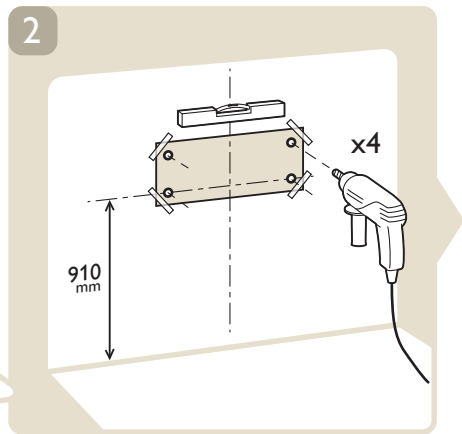
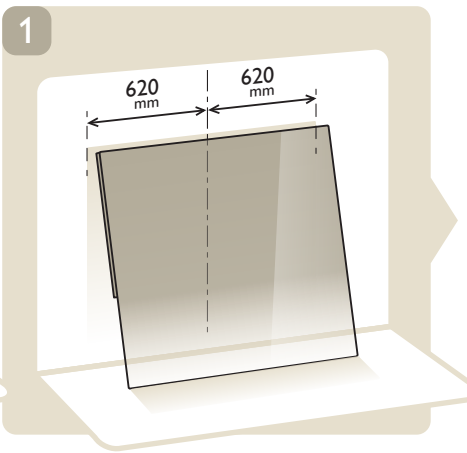
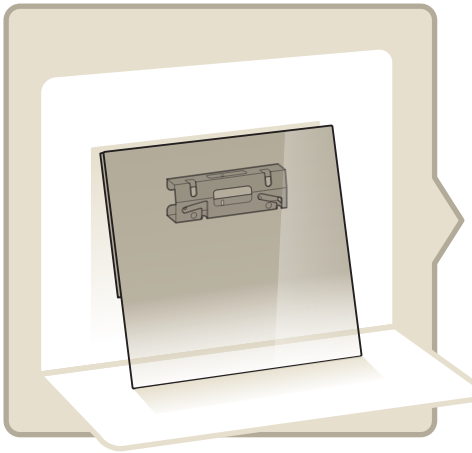


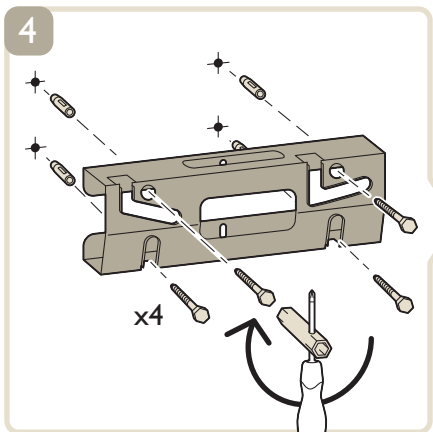
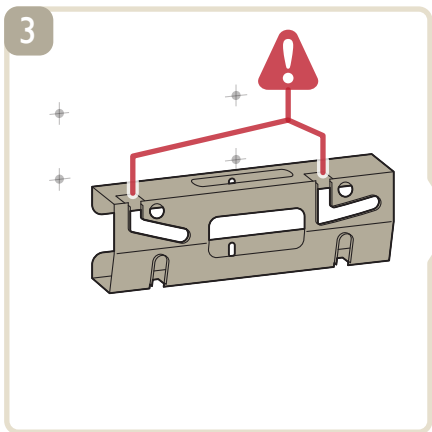
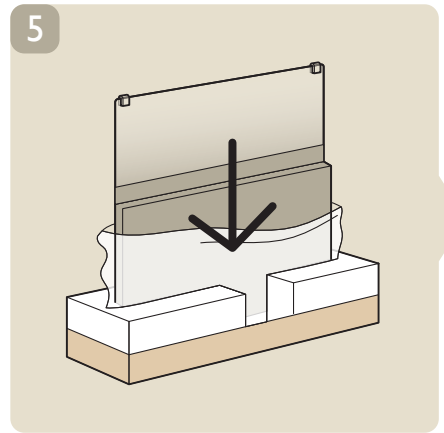
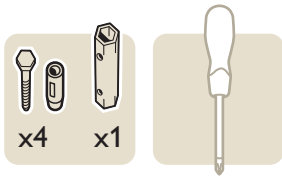
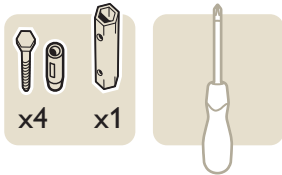
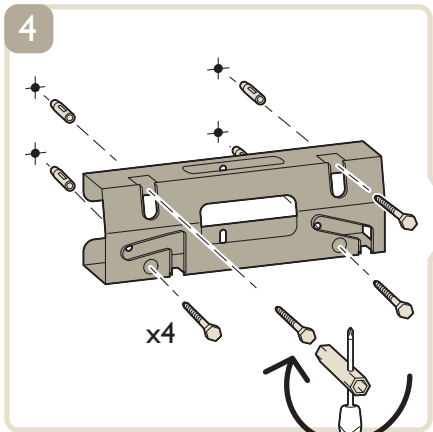
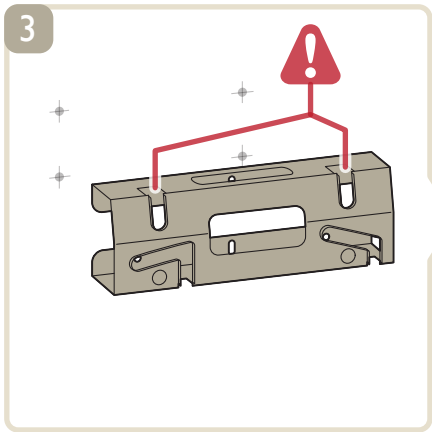
Register your product and get support at  
[www.philips.com/welcome](http://www.philips.com/welcome)

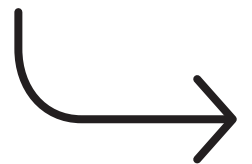
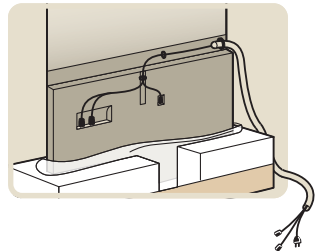
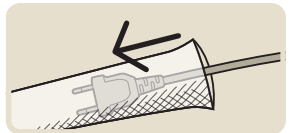
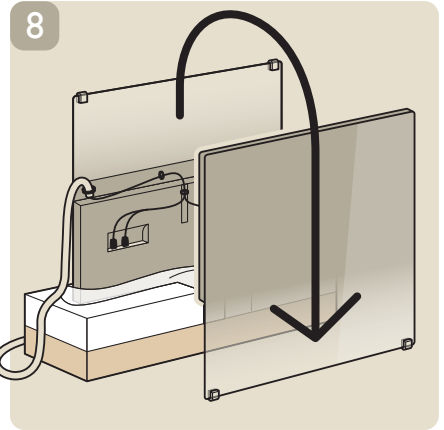
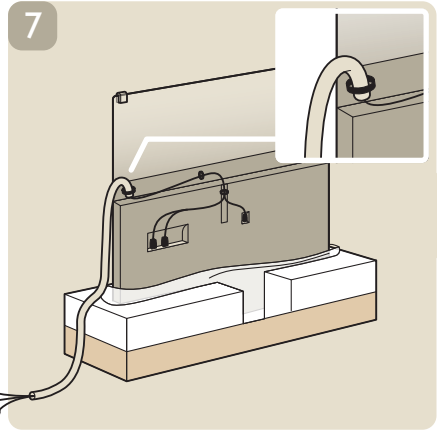
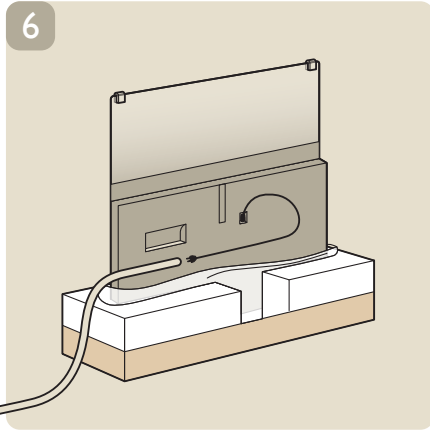
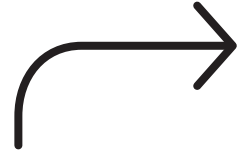
**DesignLine**



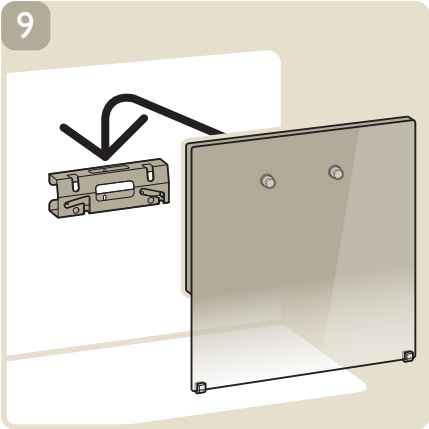
**PHILIPS**



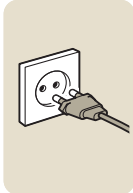
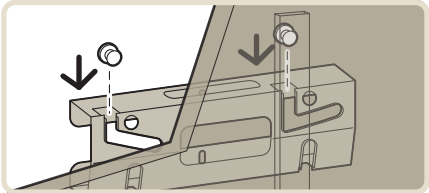
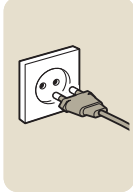
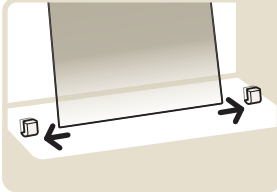
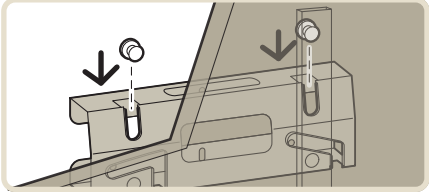
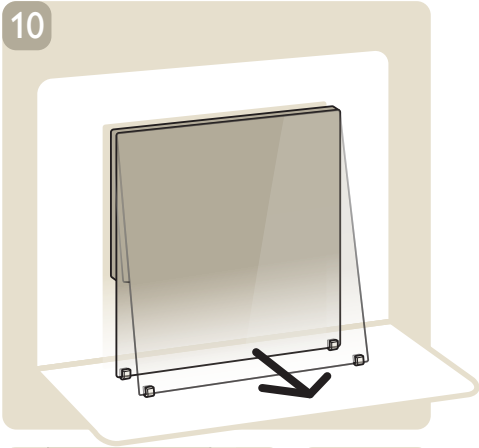




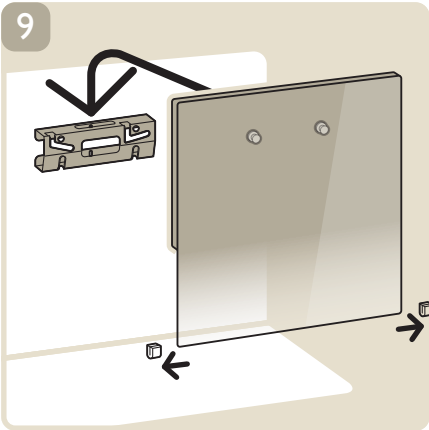
9



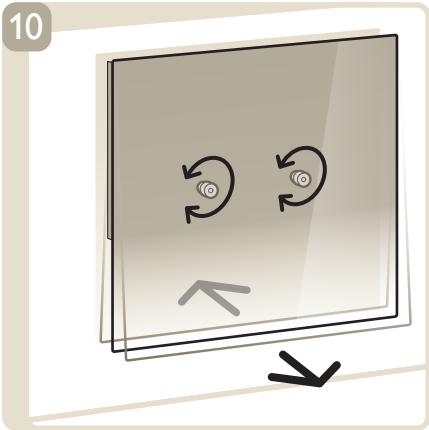
10

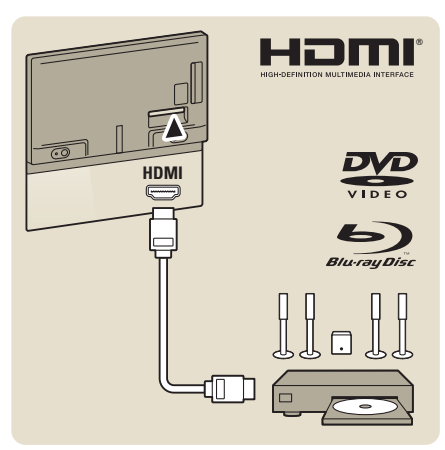
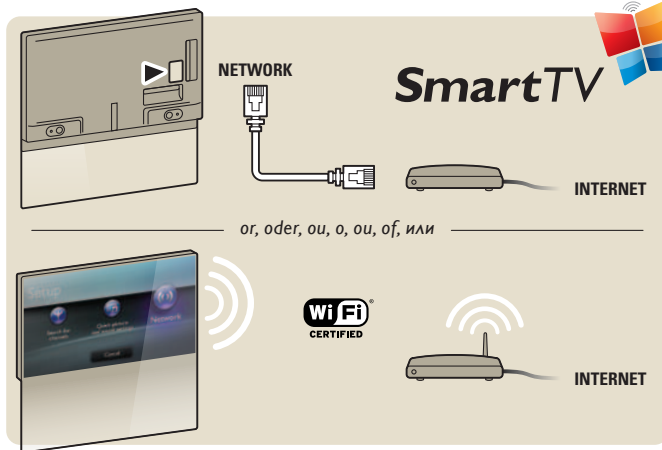
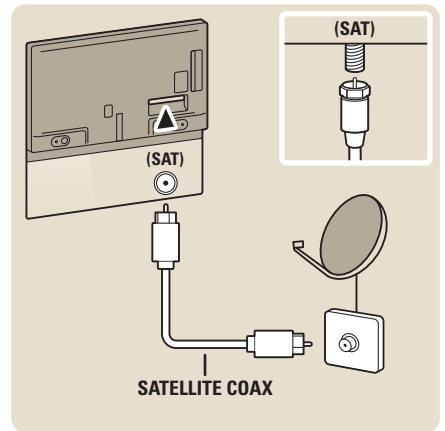
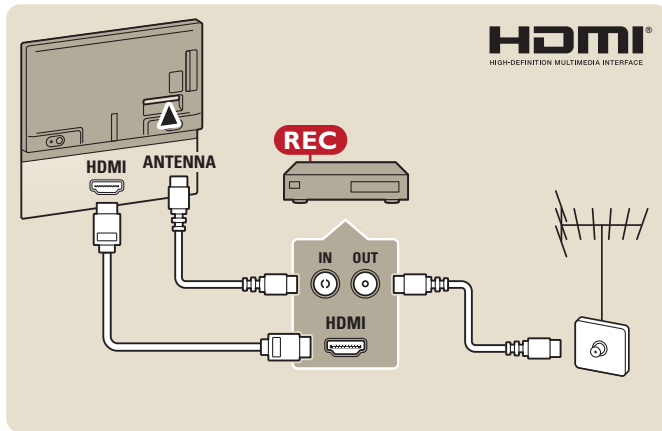
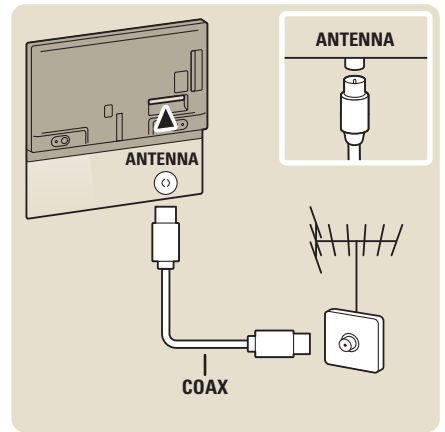
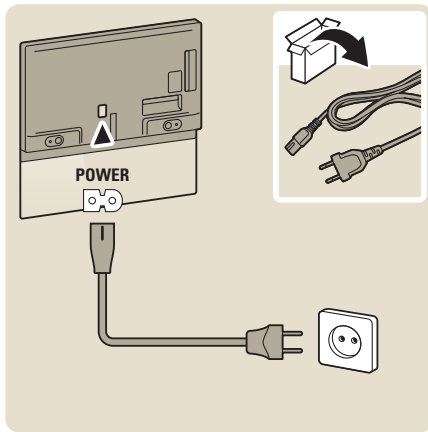


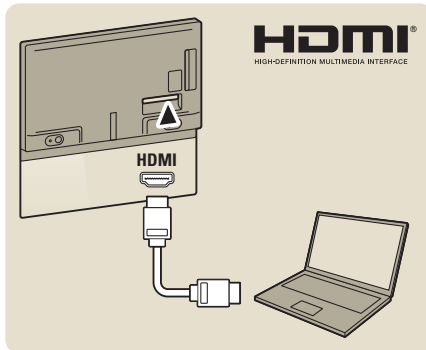
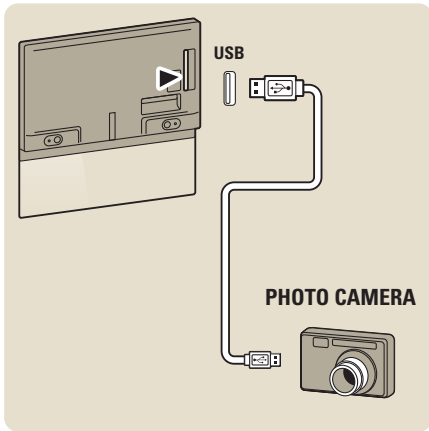
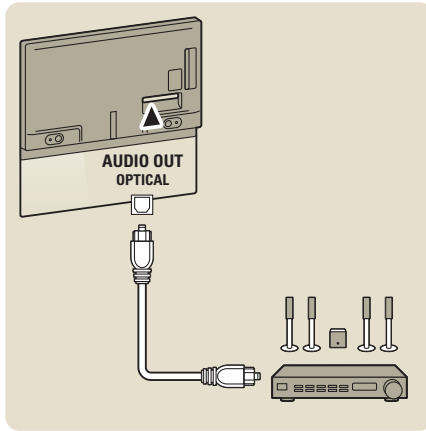
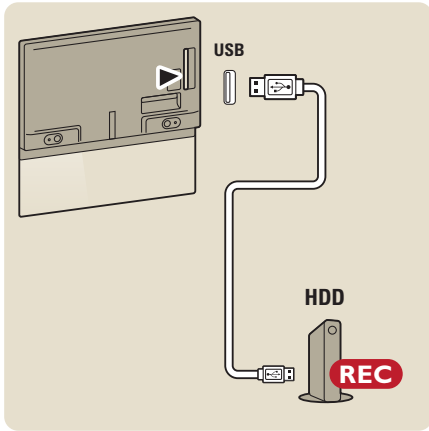
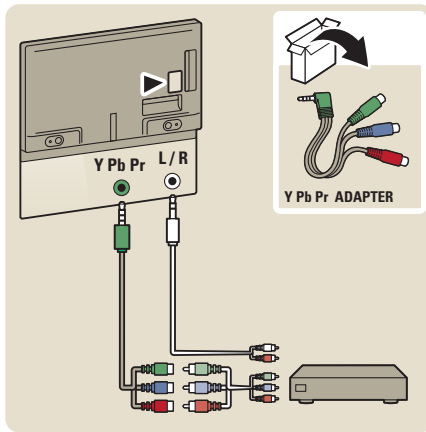
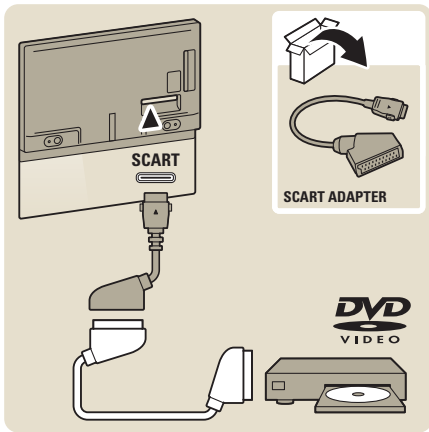
9

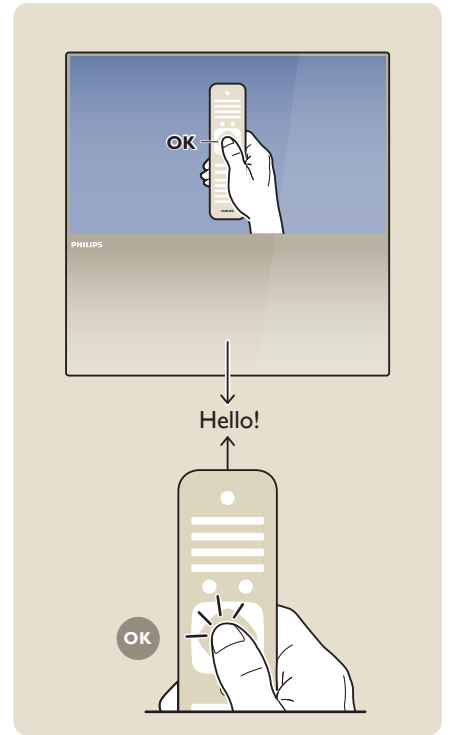
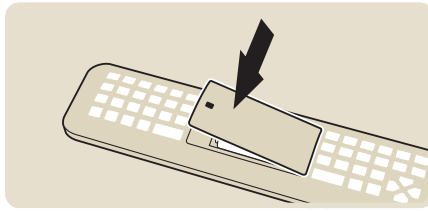
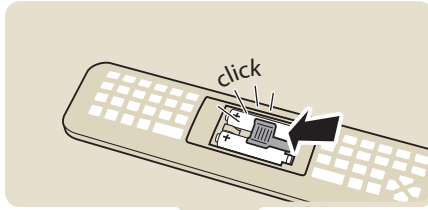
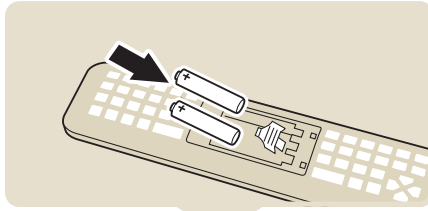
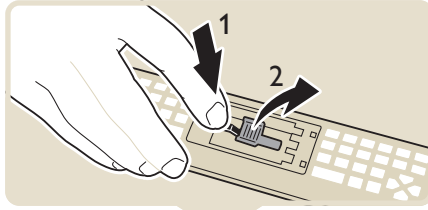
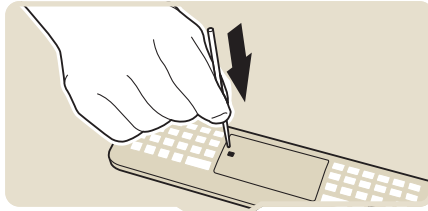


10

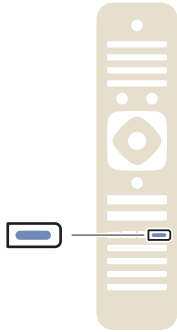




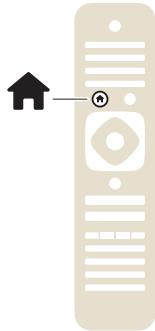




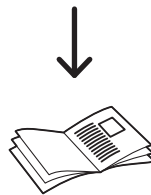
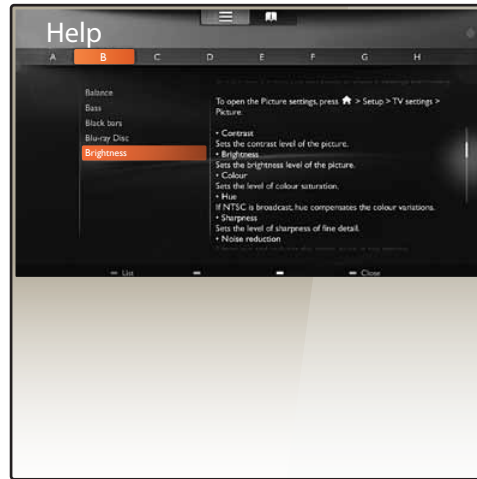




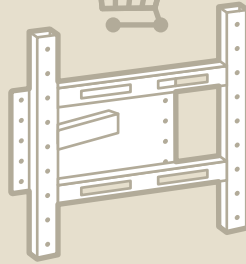
> >  
 Info | Infos  
 Bilgi | Информация



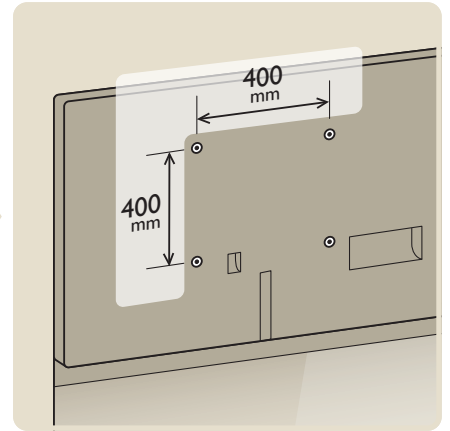
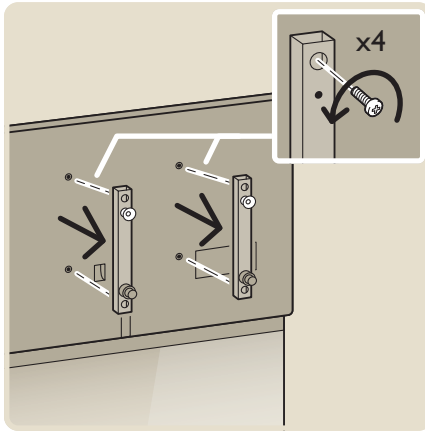
> >  
 Help | Hilfe  
 Aide | Guida  
 Ayuda | Рѹмѹс  
 Yardım | Рυководство



VESA 400x400 6M



43kg



Specifications are subject to change without notice.

Philips and the Philips' shield emblem are registered trademarks of Koninklijke Philips Electronics N.V. and are used under license from Koninklijke Philips Electronics N.V.

All registered and unregistered trademarks are property of their respective owners.

2013 © TP Vision Netherlands B.V. All rights reserved.

[www.philips.com/tv](http://www.philips.com/tv)