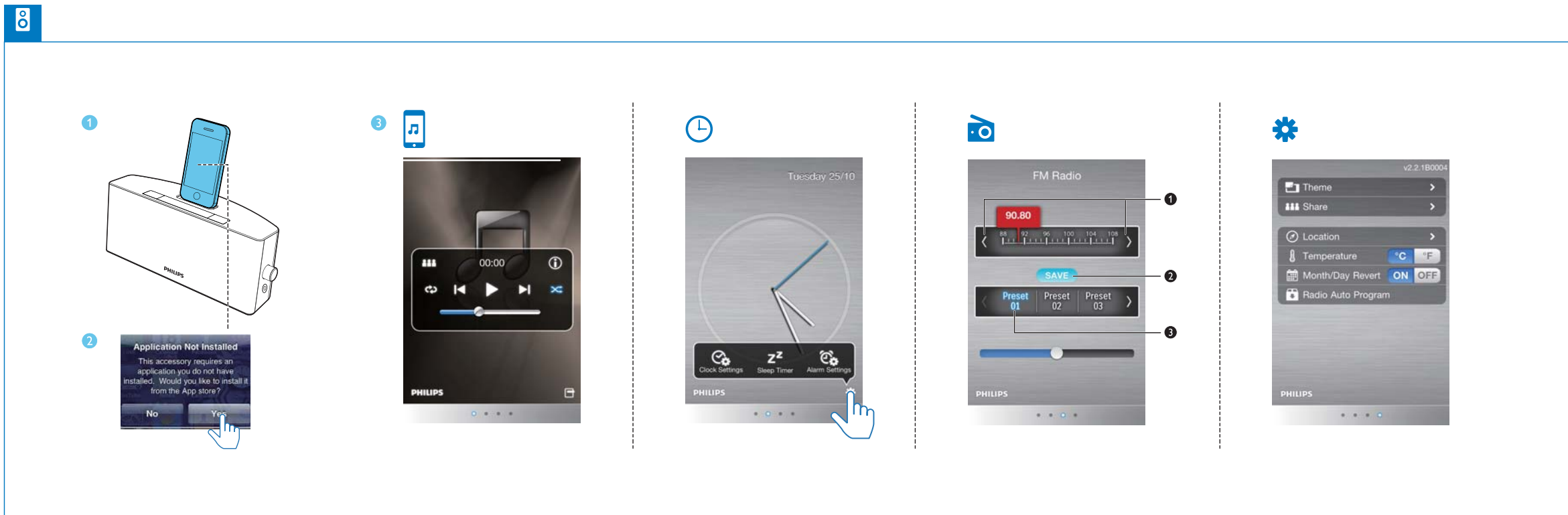
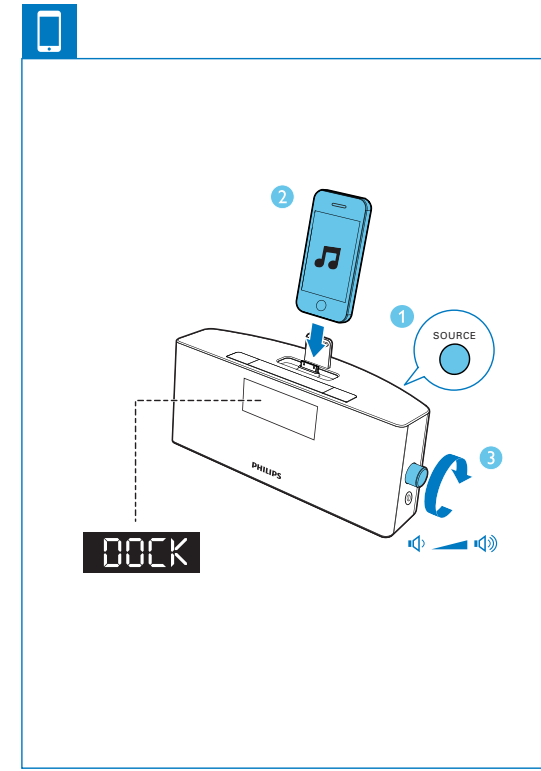
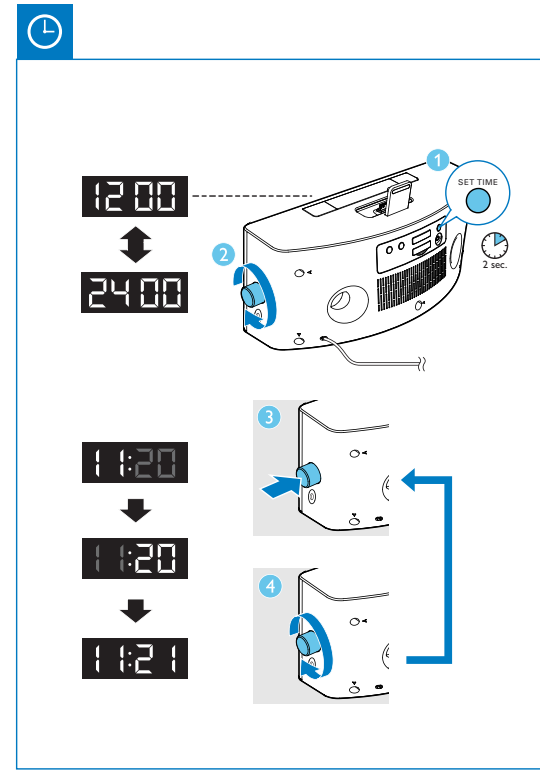
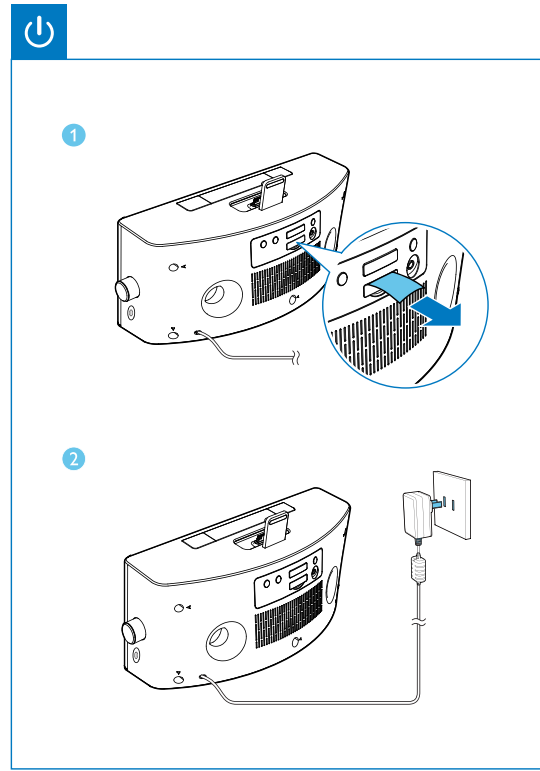
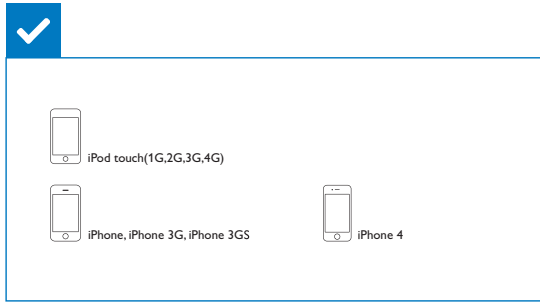
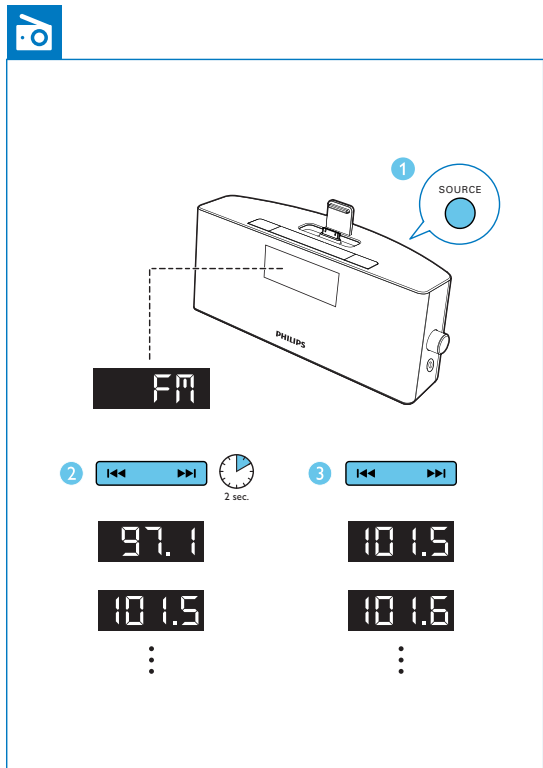
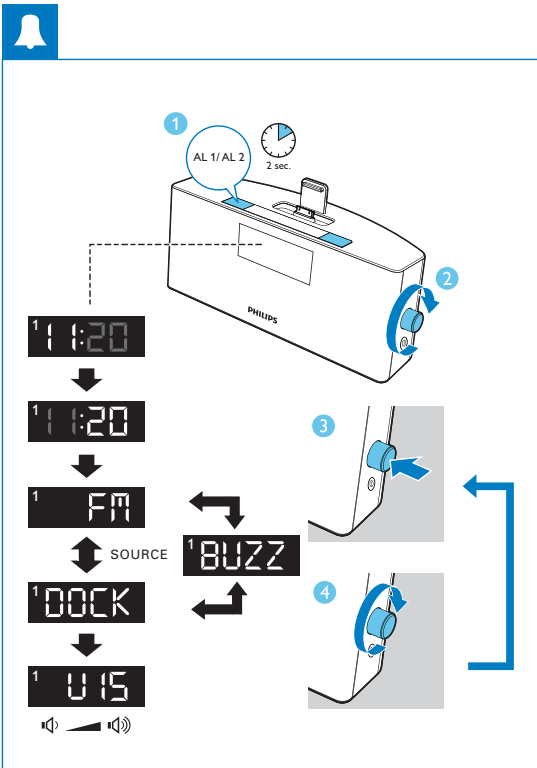




Quick start guide  
 快速启用指南





## EN

### 1 Important

#### Safety

- Heed all warnings.
- Follow all instructions.
- Do not use the device near water.
- Clean only with dry cloth.
- Do not block any ventilation openings. Install in accordance with the manufacturer's instructions.
- Do not install near any heat sources such as radiators, heat registers, stoves, or other devices (including amplifiers) that produce heat.
- Protect the power cord from being walked on or pinched, particularly at plugs, convenience receptacles, and the point where they exit from the device.
- Only use attachments/accessories specified by the manufacturer.
- Unplug the device during lightning storms or when unused for long periods of time.
- Refer all servicing to qualified service personnel. Servicing is required when the device has been damaged in any way, such as power-supply cord or plug is damaged, liquid has been spilled or objects have fallen into the device, the device has been exposed to rain or moisture, does not operate normally, or has been dropped.
- Battery usage CAUTION – To prevent battery leakage which may result in bodily injury, property damage, or damage to the device:
  - Install the battery correctly, + and - as marked on the device.
  - Remove battery when the device is not used for a long time.
- The device shall not be exposed to dripping or splashing.
- Do not place any sources of danger on the device (e.g. liquid filled objects, lighted candles).
- Where the plug of the Direct Plug-in Adapter is used as the disconnect device, the disconnect device shall remain readily operable.

#### Warning

- Never remove the casing of this clock radio.
- Never place this clock radio on other electrical equipment.
- Keep this clock radio away from direct sunlight, naked flames or heat.
- To reduce the risk of fire or electric shock, do not expose this apparatus to rain or moisture.
- Ensure that you always have easy access to the power cord, plug or adapter to disconnect this clock radio from the power.

### 2 Notice

Any changes or modifications made to this device that are not expressly approved by Philips Consumer Lifestyle may void the user's authority to operate the equipment.

Your product is designed and manufactured with high quality materials and components, which can be recycled and reused.

Never dispose of your product with other household waste. Please inform yourself about the local rules on the separate collection of electrical and electronic products and batteries. The correct disposal of these products helps prevent potentially negative consequences on the environment and human health.

Your product contains batteries, which cannot be disposed of with normal household waste. Please inform yourself about the local rules on separate collection of batteries. The correct disposal of batteries helps prevent potentially negative consequences on the environment and human health.

Please visit [www.recycle.philips.com](http://www.recycle.philips.com) for additional information on a recycling center in your area.

#### Environmental information

All unnecessary packaging has been omitted. We have tried to make the packaging easy to separate into three materials: cardboard (box), polystyrene foam (buffer) and polyethylene (bags, protective foam sheet).

Your system consists of materials which can be recycled and reused if disassembled by a specialized company. Please observe the local regulations regarding the disposal of packaging materials, exhausted batteries and old equipment.



"Made for iPod" and "Made for iPhone" mean that an electronic accessory has been designed to connect specifically to iPod or iPhone respectively, and has been certified by the developer to meet Apple performance standards. Apple is not responsible for the operation of this device or its compliance with safety and regulatory standards. Please note that the use of this accessory with iPod or iPhone may affect wireless performance.

iPod and iPhone are trademarks of Apple Inc., registered in the U.S. and other countries. 2012 © Koninklijke Philips Electronics N.V. All rights reserved.

Specifications are subject to change without notice. Trademarks are the property of Koninklijke Philips Electronics N.V. or their respective owners. Philips reserves the right to change products at any time without being obliged to adjust earlier supplies accordingly.

#### Note

- The type plate is located on the bottom of the apparatus.

### 3 Product information

#### Note

- Product information is subject to change without prior notice.

### Specifications

#### General information

DC adaptor	Brand name: Philips; Model: YJS020D-1001800C; Input: 100-240 V~, 50-60 Hz 500 mA; Output: 10.0 V === 1800 mA;
Operation Power Consumption	<25 W
Standby Power Consumption	<1 W
Dimensions: Main Unit (W x H x D)	283 x 118 x 112 mm
Weight:	
-Main Unit	1.445 kg
-With Packing	1.83 kg

## ZH-CN

### 1 注意事项

#### 安全

- 注意所有警告。
- 遵循所有说明。
- 请勿在靠近水的地方使用设备。
- 只能使用干布进行清洁。
- 不要堵塞任何通风口。按照制造商的说明进行安装。
- 不要在任何热源附近安装，如散热器、蓄热器、炉具或其它发热设备（包括功放器）。
- 防止电源线被踩踏或挤压，特别是在插头、电源插座和设备电源线出口位置。
- 仅使用制造商指定的附件/配件。
- 在雷电天气期间或长期不用的情况下，请拔下设备的电源插头。
- 所有维修应由合格的维修人员来执行。本设备有任何损坏时，如电源线或插头损坏、液体泼溅到或物体跌落到设备上，设备淋雨或受潮，无法正常运行，或者跌落，均需要进行维修。
- 电池使用注意事项 – 为防止电池泄漏而造成人身伤害、财产损失或设备损坏，请：
  - 按照设备上标明的 + 极和 - 极，正确安装电池。
  - 若打算长期不用设备，应取出电池。
- 切勿将设备暴露在漏水或溅水环境下。
- 不要将任何危险源放在本设备上（例如装有液体的物体、点燃的蜡烛）。
- 如果将直插式适配器的插头用作断开设备，则断开设备应可以随时使用。

#### 警告

- 切勿拆下本时钟收音机的外壳。
- 切勿将本时钟收音机置于其他电器设备之上。
- 应让本时钟收音机远离阳光直射、明火或高温。
- 为减少火灾或电击的风险，请勿使此装置淋雨或受潮。
- 请确保始终可轻易地接触到电源线、电源插头或适配器，以便将本时钟收音机从电源上断开。

### 2 注意

如果用户未经 Philips 优质生活部门的明确许可而擅自对此设备进行更改或修改，则可能导致其无权操作此设备。本产品采用可回收利用的高性能材料和组件制造而成。切勿将本产品与其它生活垃圾一起处理。请自行了解当地关于分类收集电子、电气产品及电池的规定。正确弃置这些产品有助于避免对环境 and 人体健康造成潜在的负面影响。本产品所含的电池不能与一般的生活垃圾一同弃置。请自行了解当地关于分类收集电池的规定。正确弃置电池有助于避免对环境 and 人类健康造成潜在的负面影响。关于您所在地区回收中心的更多信息，请访问 [www.recycle.philips.com](http://www.recycle.philips.com)。

#### 环境信息

已省去所有不必要的包装。我们努力使包装易于分为三种材料：纸板（盒）、泡沫塑料（缓冲物）和聚乙烯（袋、保护性泡沫片）。您的系统包含可回收利用的材料（如果由专业公司拆卸）。请遵守当地有关包装材料、废电池和旧设备的处理的规定。



"Made for iPod" and "Made for iPhone" 表示电子附件专为连接 iPod 或 iPhone 而设计，并经开发人员认证，符合 Apple 性能标准。Apple 对该设备的操作及其是否符合安全和法规标准不负任何责任。请注意，通过 iPod 或 iPhone 使用该附件可能影响无线性能。

iPod 和 iPhone 是 Apple Inc. 在美国和其它国家/地区注册的商标。2012 © Koninklijke Philips Electronics N.V. 保留所有权利。规格如有更改，恕不另行通知。所有商标均是 Koninklijke Philips Electronics N.V. 或它们各自所有者的财产。飞利浦保留随时更改产品的权利，而且没有义务对较早前提供的产品进行相应的调整。

#### 注

- 型号铭牌位于本设备的底部。

### 3 产品信息

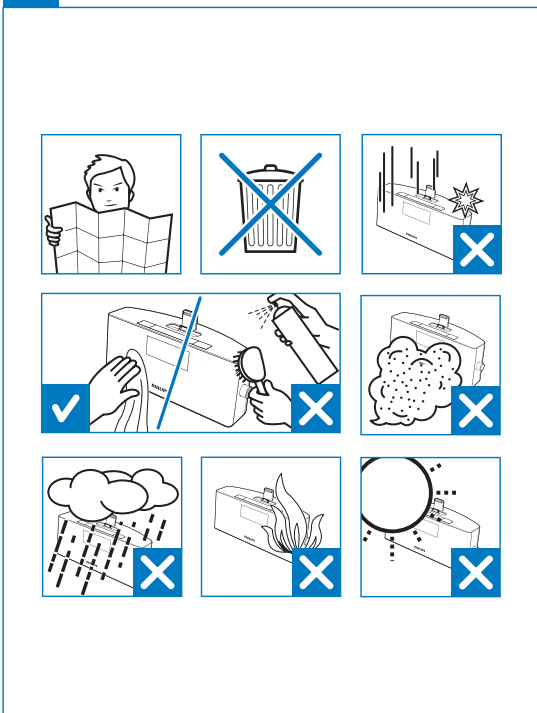
#### 注

- 产品信息如有更改，恕不另行通知。

### 规格

#### 一般信息

直流适配器	品牌名称: 飞利浦; 型号: YJS020D-1001800C; 输入: 100-240 伏, 50-60 赫兹; 500 毫安; 输出: 10.0 伏 === 1800 毫安;
操作功耗	<25 瓦
待机功耗	<1 瓦
尺寸: 主装置 (宽 × 高 × 厚)	283 × 118 × 112 毫米
重量:	
-主装置	1.445 千克
-含包装	1.83 千克



部件名称 Name of the Parts	有毒有害物质或元素 Hazardous/toxic Substance					
	铅 (Pb, Lead)	汞 (Hg, Mercury)	镉 (Cd, cadmium)	六价铬 (Chromium 6+)	多溴联苯 (PBB)	多溴二苯醚 (PBDE)
Housing 外壳	○	○	○	○	○	○
Loudspeakers 喇叭单元	○	○	○	○	○	○
PW/Be 电路板组件	x	○	○	○	○	○
Accessories (cables) 附件 (电源线、连接线)	x	○	○	○	○	○

○: 表示该有毒有害物质在该部件所有均质材料中的含量均在SJ/T11363 - 2006 标准规定的限量要求以下。  
○: Indicates that this toxic or hazardous substance contained in all of the homogeneous materials for this part is below the limit requirement in SJ/T11363 – 2006.

x: 表示该有毒有害物质至少在该部件的某一均质材料中的含量超出SJ/T11363 – 2006 标准规定的限量要求。

x: Indicates that this toxic or hazardous substance contained in at least one of the homogeneous materials used for this part is above the limit requirement in SJ/T11363 – 2006.



电子信息产品中含有的有毒有害物质或元素在正常使用的条件下不会发生外泄或突变，电子信息产品用户使用该电子信息产品不会对环境造成严重污染或对其人身、财产造成严重损害的期限。

This logo refers to the period ( 10 years ) during which the toxic or hazardous substances or elements contained in electronic information products will not leak or mutate so that the use of these [substances or elements] will not result in any severe environmental pollution, any bodily injury or damage to any assets.