

Register your product and get support at
www.philips.com/welcome

DCP746/37



Thank you for choosing Philips.

Need help fast?

Read your Quick Use Guide and/or Owner's Manual first for quick tips that make using your Philips product more enjoyable.

If you have read your instructions and still need assistance, you may access our online help at

www.philips.com/welcome

or call

1 866 771 4018

while with your product.

(and Model / Serial number)



Philips vous remercie de votre confiance.

Besoin d'une aide rapide?

Les Guide d'utilisation rapide et Manuel de l'utilisateur regorgent d'astuces destinées à simplifier l'utilisation de votre produit Philips. Toutefois, si vous ne parvenez pas à résoudre votre problème, vous pouvez accéder à notre aide en ligne à l'adresse

www.philips.com/welcome

ou formez le

1 800 661 6162 (Francophone)

1 866 771 4018 (English speaking)

Veillez à avoir votre produit à portée de main.

(et model / serial nombre)



Gracias por escoger Philips

Necesita ayuda inmediata?

Lea primero la Guía de uso rápido o el Manual del usuario, en donde encontrará consejos que le ayudarán a disfrutar plenamente de su producto Philips.

Si después de leerlo aún necesita ayuda, consulte nuestro servicio de asistencia en línea en

www.philips.com/welcome

o llame al teléfono

1 866 771 4018

y tenga a mano el producto.

(y número de model / serial)



EN User manual

ES Manual del usuario

FR Mode d'emploi

PHILIPS

**Return your Product Registration Card or register online at
www.philips.com/welcome today to get the very most from your purchase.**

Registering your model with PHILIPS makes you eligible for all of the valuable benefits listed below, so don't miss out. Complete and return your Product Registration Card at once, **or register online at www.philips.com/welcome** to ensure:

*Proof of Purchase

Returning the enclosed card guarantees that your date of purchase will be on file, so no additional paperwork will be required from you to obtain warranty service.

*Product Safety Notification

By registering your product, you'll receive notification - directly from the manufacturer - in the rare case of a product recall or safety defect.

*Additional Benefits

Registering your product guarantees that you'll receive all of the privileges to which you're entitled, including special money-saving offers.

PHILIPS

Congratulations on your purchase, and welcome to the "family!"

Dear PHILIPS product owner:

Thank you for your confidence in PHILIPS. You've selected one of the best-built, best-backed products available today. We'll do everything in our power to keep you happy with your purchase for many years to come.

As a member of the PHILIPS "family," you're entitled to protection by one of the most comprehensive warranties and outstanding service networks in the industry. What's more, your purchase guarantees you'll receive all the information and special offers for which you qualify, plus easy access to accessories from our convenient home shopping network.

Most importantly, you can count on our uncompromising commitment to your total satisfaction.

All of this is our way of saying welcome - and thanks for investing in a PHILIPS product.


P.S. To get the most from your PHILIPS purchase, be sure to complete and return your Product Registration Card at once, or register online at:


www.philips.com/welcome

Know these

safety symbols



 This "bolt of lightning" indicates uninsulated material within your unit may cause an electrical shock. For the safety of everyone in your household, please do not remove product covering.

 The "exclamation point" calls attention to features for which you should read the enclosed literature closely to prevent operating and maintenance problems.

WARNING: To reduce the risk of fire or electric shock, this apparatus should not be exposed to rain or moisture and objects filled with liquids, such as vases, should not be placed on this apparatus.

CAUTION: To prevent electric shock, match wide blade of plug to wide slot, fully insert.

ATTENTION: Pour éviter les choc électriques, introduire la lame la plus large de la fiche dans la borne correspondante de la prise et pousser jusqu'au fond.

For Customer Use

Enter below the Serial No. which is located on the rear of the cabinet. Retain this information for future reference.

Model No. _____

Serial No. _____

PHILIPS

Visit our World Wide Web Site at <http://www.philips.com/welcome>

PHILIPS LIMITED WARRANTY ONE (1) YEAR

WARRANTY COVERAGE:

PHILIPS warranty obligation is limited to the terms set forth below.

WHO IS COVERED:

Philips warrants the product to the original purchaser or the person receiving the product as a gift against defects in materials and workmanship as based on the date of original purchase ("Warranty Period") from an Authorized Dealer. The original sales receipt showing the product name and the purchase date from an authorized retailer is considered such proof.

WHAT IS COVERED:

The Philips warranty covers new products if a defect in material or workmanship occurs and a valid claim is received by Philips within the Warranty Period. At its option, Philips will either (1) repair the product at no charge, using new or refurbished replacement parts, or (2) exchange the product with a product that is new or which has been manufactured from new, or serviceable used parts and is at least functionally equivalent or most comparable to the original product in Philips current inventory, or (3) refund the original purchase price of the product. Philips warrants replacement products or parts provided under this warranty against defects in materials and workmanship from the date of the replacement or repair for ninety (90) days or for the remaining portion of the original product's warranty, whichever provides longer coverage for you. When a product or part is exchanged, any replacement item becomes your property and the replaced item becomes Philips' property. When a refund is given, your product becomes Philips' property.

Note: Any product sold and identified as refurbished or renewed carries a ninety (90) day limited warranty.

Replacement product can only be sent if all warranty requirements are met. Failure to follow all requirements can result in delay.

WHAT IS NOT COVERED - EXCLUSIONS AND LIMITATIONS:

This Limited Warranty applies only to the new products manufactured by or for Philips that can be identified by the trademark, trade name, or logo affixed to it. This Limited Warranty does not apply to any non-Philips hardware product or any software, even if packaged or sold with the product. Non-Philips manufacturers, suppliers, or publishers may provide a separate warranty for their own products packaged with the bundled product.

Philips is not liable for any damage to or loss of any programs, data, or other information stored on any media contained within the product, or any non-Philips product or part not covered by this warranty. Recovery or reinstallation of programs, data or other information is not covered under this Limited Warranty.

This warranty does not apply (a) to damage caused by accident, abuse, misuse, neglect, misapplication, or non-Philips product, (b) to damage caused by service performed by anyone other than Philips or Philips Authorized Service Location, (c) to a product or a part that has been modified without the written permission of

Philips, or (d) if any Philips serial number has been removed or defaced, or (e) product, accessories or consumables sold "AS IS" without warranty of any kind by including refurbished Philips product sold "AS IS" by some retailers.

This Limited Warranty does not cover:

- Shipping charges to return defective product to Philips.
- Labor charges for installation or setup of the product, adjustment of customer controls on the product, and installation or repair of antenna/signal source systems outside of the product.
- Product repair and/or part replacement because of improper installation or maintenance, connections to improper voltage supply, power line surge, lightning damage, retained images or screen markings resulting from viewing fixed stationary content for extended periods, product cosmetic appearance items due to normal wear and tear, unauthorized repair or other cause not within the control of Philips.
- Damage or claims for products not being available for use, or for lost data or lost software.
- Damage from mishandled shipments or transit accidents when returning product to Philips.
- A product that requires modification or adaptation to enable it to operate in any country other than the country for which it was designed, manufactured, approved and/or authorized, or repair of products damaged by these modifications.
- A product used for commercial or institutional purposes (including but not limited to rental purposes).
- Product lost in shipment and no signature verification receipt can be provided.
- Failure to operate per Owner's Manual.

TO OBTAIN ASSISTANCE IN THE U.S.A., PUERTO RICO, OR U.S. VIRGIN ISLANDS...

Contact Philips Customer Care Center at:
1 866 771 4018

TO OBTAIN ASSISTANCE IN CANADA...

1 800 661 6162 (French Speaking)
1 866 771 4018 (English or Spanish Speaking)

REPAIR OR REPLACEMENT AS PROVIDED UNDER THIS WARRANTY IS THE EXCLUSIVE REMEDY FOR THE CONSUMER. PHILIPS SHALL NOT BE LIABLE FOR ANY INCIDENTAL OR CONSEQUENTIAL DAMAGES FOR BREACH OF ANY EXPRESS OR IMPLIED WARRANTY ON THIS PRODUCT. EXCEPT TO THE EXTENT PROHIBITED BY APPLICABLE LAW, ANY IMPLIED WARRANTY OF MERCHANTABILITY OR FITNESS FOR A PARTICULAR PURPOSE ON THIS PRODUCT IS LIMITED IN DURATION TO THE DURATION OF THIS WARRANTY.

Some states do not allow the exclusions or limitation of incidental or consequential damages, or allow limitations on how long an implied warranty lasts, so the above limitations or exclusions may not apply to you.

This warranty gives you specific legal rights. You may have other rights which vary from state/province to state/province.

P&F USA, Inc. P.O. Box 672768, Marietta, GA. 30006

3121 233 48802

Contents

1	Important	6
	Safety	6
	Notice	9

2	Your Docking Entertainment System	12
	Introduction	12
	What's in the box	12
	Overview of the main unit	13
	Overview of the remote control	15

3	Get started	16
	Preparation (for in-car use)	16
	Preparation (for indoor use)	17
	Charge the battery	18
	Install remote control battery	19
	Connect additional equipment	20
	Listen through headphone	21
	Check the battery status	21

4	Play	21
	Turn on	21
	Select OSD language	21
	Play iPod	22
	Play from an external AV device	25

5	Adjust settings	25
----------	------------------------	----

6	Adjust sound	25
	Adjust volume	25
	Mute sound	26

7	Product information	26
	Specifications	26

8	Troubleshooting	26
----------	------------------------	----

1 Important

Safety

Know these safety symbols



This 'bolt of lightning' indicates uninsulated material within your unit may cause an electrical shock. For the safety of everyone in your household, please do not remove product covering.

The 'exclamation point' calls attention to features for which you should read the enclosed literature closely to prevent operating and maintenance problems.

WARNING: To reduce the risk of fire or electric shock, this apparatus should not be exposed to rain or moisture and objects filled with liquids, such as vases, should not be placed on this apparatus.

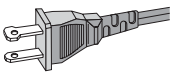
CAUTION: To prevent electric shock, match wide blade of plug to wide slot, fully insert.

Important Safety Instructions

- ① Read these instructions.
- ② Keep these instructions.
- ③ Heed all warnings.
- ④ Follow all instructions.
- ⑤ Do not use this apparatus near water.
- ⑥ Clean only with dry cloth.
- ⑦ Do not block any ventilation openings. Install in accordance with the manufacturer's instructions.

- ⑧ Do not install near any heat sources such as radiators, heat registers, stoves, or other apparatus (including amplifiers) that produce heat.
- ⑨ For countries with a polarized mains, do not defeat the safety purpose of the polarized or grounding-type plug. A polarized plug has two blades with one wider than the other. A grounding type plug has two blades and a third grounding prong. The wide blade or the third prong are provided for your safety. If the provided plug does not fit into your outlet, consult an electrician for replacement of the obsolete outlet.

Caution: To prevent electric shock, match the wide blade of the plug to the wide slot, fully insert.



- ⑩ Protect the power cord from being walked on or pinched, particularly at plugs, convenience receptacles, and the point where they exit from the apparatus.
- ⑪ Only use attachments/accessories specified by the manufacturer.
- ⑫ Use only with the cart, stand, tripod, bracket, or table specified by the manufacturer or sold with the apparatus. When a cart is used, use caution when moving the cart/apparatus combination to avoid injury from tip-over.



- ⑬ Unplug this apparatus during lightning storms or when unused for long periods of time.
- ⑭ Refer all servicing to qualified service personnel. Servicing is required when the apparatus has been damaged in any way, such as power-supply cord or plug is damaged, liquid has been spilled or objects have fallen into the apparatus, the apparatus has been exposed to rain or moisture, does not operate normally, or has been dropped.

- ⑮ **Battery usage CAUTION – To prevent battery leakage which may result in bodily injury, property damage, or damage to the unit:**
- Install all batteries correctly, + and - as marked on the unit.
 - Do not mix batteries (old and new or carbon and alkaline, etc.).
 - Remove batteries when the unit is not used for a long time.
- ⑯ **Apparatus shall not be exposed to dripping or splashing.**
- ⑰ **Do not place any sources of danger on the apparatus (e.g. liquid filled objects, lighted candles).**
- ⑱ **This product may contain lead and mercury. Disposal of these materials may be regulated due to environmental considerations. For disposal or recycling information, please contact your local authorities or the Electronic Industries Alliance: www.eiae.org.**
- ⑲ **Where the MAINS plug or an appliance coupler is used as the disconnect device, the disconnect device shall remain readily operable.**



Warning

- Never remove the casing of this apparatus.
- Never lubricate any part of this apparatus.
- Never place this apparatus on other electrical equipment.
- Keep this apparatus away from direct sunlight, naked flames or heat.
- Never look into the laser beam inside this apparatus.
- Ensure that you always have easy access to the power cord, plug or adaptor to disconnect this apparatus from the power.

Hearing safety

Listen at a moderate volume.

- Using headphones at a high volume can impair your hearing. This product can produce sounds in decibel ranges that may cause hearing loss for a normal person, even for exposure less than a minute. The higher decibel ranges are offered for those that may have already experienced some hearing loss.
- Sound can be deceiving. Over time your hearing 'comfort level' adapts to higher volumes of sound. So after prolonged listening, what sounds 'normal' can actually be loud and harmful to your hearing. To guard against this, set your volume to a safe level before your hearing adapts and leave it there.

To establish a safe volume level:

- Set your volume control at a low setting.
- Slowly increase the sound until you can hear it comfortably and clearly, without distortion.

Listen for reasonable periods of time:

- Prolonged exposure to sound, even at normally 'safe' levels, can also cause hearing loss.
- Be sure to use your equipment reasonably and take appropriate breaks.

Be sure to observe the following guidelines when using your headphones.

- Listen at reasonable volumes for reasonable periods of time.
- Be careful not to adjust the volume as your hearing adapts.
- Do not turn up the volume so high that you can't hear what's around you.
- You should use caution or temporarily discontinue use in potentially hazardous situations. Do not use headphones while operating a motorized vehicle, cycling, skateboarding, etc.; it may create a traffic hazard and is illegal in many areas.

Notice

Notice of compliance

The set complies with the FCC-Rules, Part 15 and with 21 CFR 1040.10.

Operation is subject to the following two conditions:

- 1.This device may not cause harmful interference, and
- 2.This device must accept any interference received, including interference that may cause undesired operation.

Canada

English:

This digital apparatus does not exceed the Class B limits for radio noise emissions from digital apparatus as set out in the Radio Interference Regulations of the Canadian Department of Communications. This Class B digital apparatus complies with Canadian ICES-003.

Français:

Cet appareil numérique n'émet pas de bruits radioélectriques dépassant les limites applicables aux appareils numériques de Classe B prescrites dans le Règlement sur le Brouillage Radioélectrique édicté par le Ministère des Communications du Canada. Cet appareil numérique de la classe B est conforme à la norme NMB-003 du Canada.

Any changes or modifications made to this device that are not expressly approved by Philips Consumer Lifestyle may void the user's authority to operate the equipment.

Recycling



Your product is designed and manufactured with high quality materials and components, which can be recycled and reused.

When you see the crossed-out wheel bin symbol attached to a product, it means the product is covered by the European Directive 2002/96/EC:



Never dispose of your product with other household waste. Please inform yourself about the local rules on the separate collection of electrical and electronic products. The correct disposal of your old product helps prevent potentially negative consequences on the environment and human health.

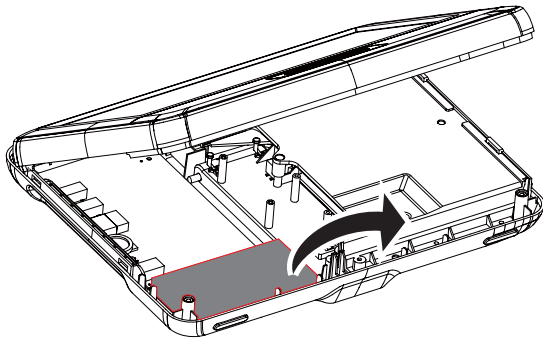
Your product contains batteries covered by the European Directive 2006/66/EC, which cannot be disposed of with normal household waste.

When you see the crossed-out wheel bin symbol with the chemical symbol 'Pb', it means that the batteries comply with the requirement set by the directive for lead:



Please inform yourself about the local rules on separate collection of batteries. The correct disposal of batteries helps prevent potentially negative consequences on the environment and human health.

Always bring your product to a professional to remove the built-in battery.



Environmental information

All unnecessary packaging has been omitted. We have tried to make the packaging easy to separate into three materials: cardboard (box), polystyrene foam (buffer) and polyethylene (bags, protective foam sheet.) Your system consists of materials which can be recycled and reused if disassembled by a specialized company. Please observe the local regulations regarding the disposal of packaging materials, exhausted batteries and old equipment.

Recording and playback of material might require consent. See Copyright Act 1956 and The Performer's Protection Acts 1958 to 1972.

This apparatus includes this label:



2 Your Docking Entertainment System

Congratulations on your purchase, and welcome to Philips! To fully benefit from the support that Philips offers, register your product at www.philips.com/welcome.

Introduction

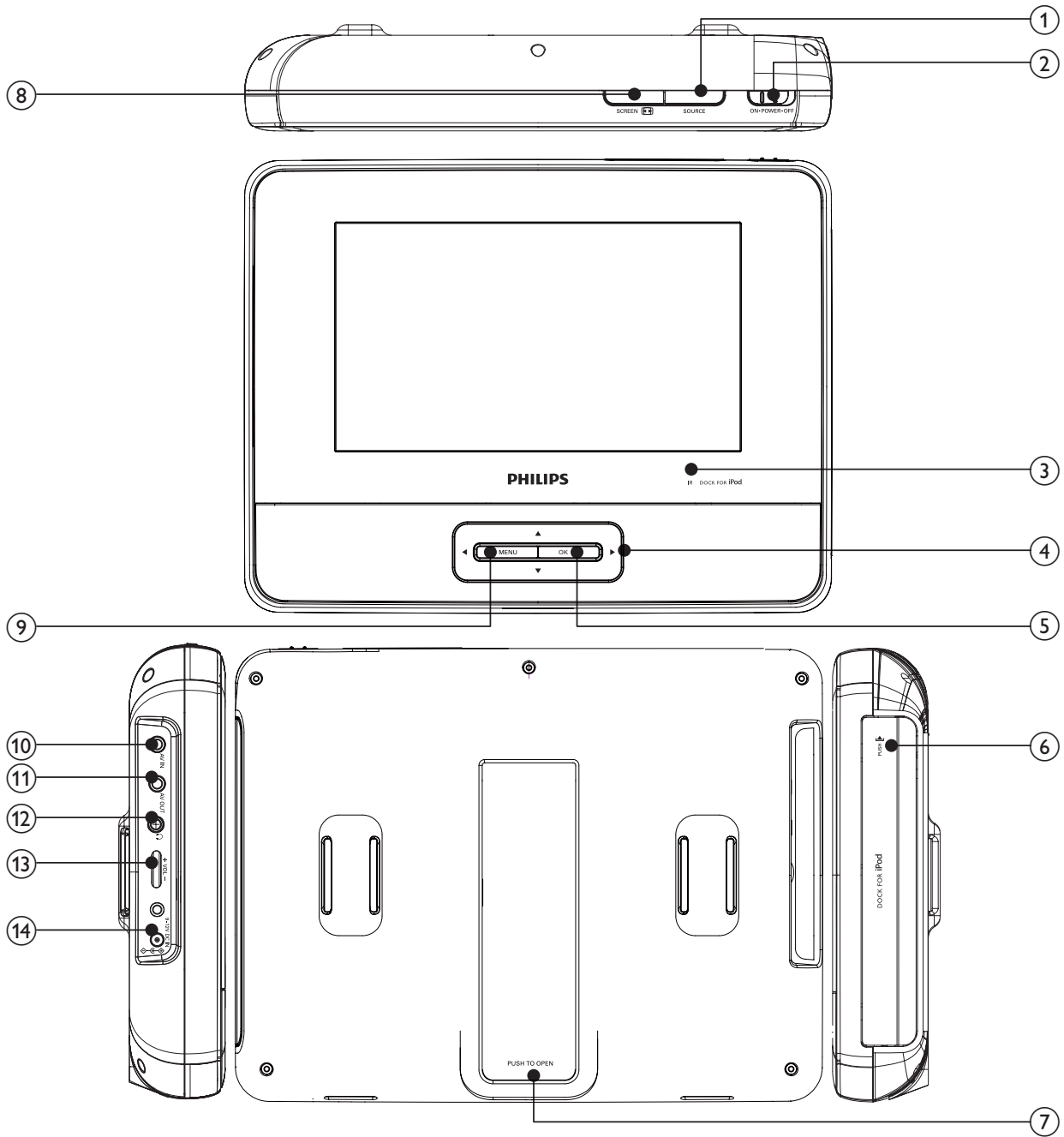
With this unit, you can enjoy audio and video from iPod players and external AV devices.

What's in the box



Check and identify the contents of your package:

- Main unit
- Remote control with battery
- 3 x dock adaptors
- AV cable
- AC power adaptor, DSA-9W-09 F (DVE) or AY4132 (Philips)
- Fastening strap
- User manual
- Quick start guide

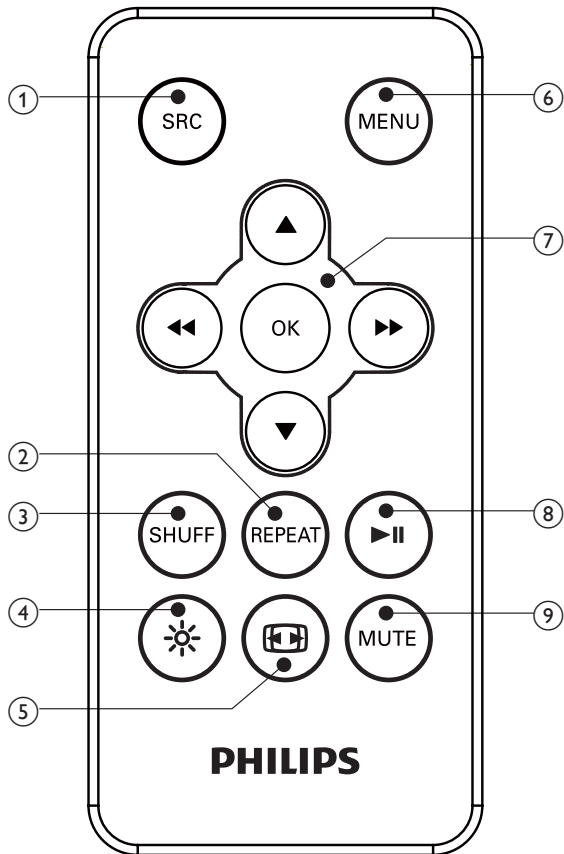
Overview of the main unit



- ① **SOURCE**
 - Select a source: iPod or AV IN.
- ② **ON•POWER•OFF**
 - Turn on or off the unit.
- ③ **IR**
 - Remote control sensor.

- ④ ▲, ▼, ◀, ▶
 - Move cursor up/down/left/right.
- ◀, ▶
 - Search backward or forward at different speeds.
- ⑤ **OK**
 - Confirm a selection.
- ⑥ **PUSH**
 - Push to open the dock compartment.
- ⑦ **PUSH TO OPEN**
 - Push to open the stand.
- ⑧ **SCREEN** 
 - Switch the aspect ratio.
- ⑨ **MENU**
 - In iPod mode, return to the previous menu.
 - In AV IN mode, access or exit system setup menu.
- ⑩ **AV IN**
 - Audio/video input jack.
- ⑪ **AV OUT**
 - Audio/video output jack.
- ⑫ 
 - Headphone jack.
- ⑬ **VOL +/-**
 - Adjust the volume level.
- ⑭ **9-12V DC IN**
 - Power supply socket.

Overview of the remote control



- ① **SRC**
 - Select a source: iPod or AV IN.
- ② **REPEAT**
 - Select a repeat play mode.
- ③ **SHUFF**
 - Play tracks randomly.
- ④ **☼**
 - Select a brightness level for the display screen.
- ⑤ **◀▶**
 - Switch the aspect ratio.
- ⑥ **MENU**
 - In iPod mode, return to the previous menu.
 - In AV IN mode, access or exit system setup menu.

- ⑦ ▲, ▼, ◀, ▶
- Move cursor up/down/left/right.
- ◀◀, ▶▶
- Search backward or forward at different speeds.
- OK
- Confirm a selection.
- ⑧ ▶||
- Start, pause or resume play.
- ⑨ MUTE
- Mute or restore audio output.

3 Get started



Caution

- Use of controls or adjustments or performance of procedures other than herein may result in hazardous radiation exposure or other unsafe operation.

Always follow the instructions in this chapter in sequence.

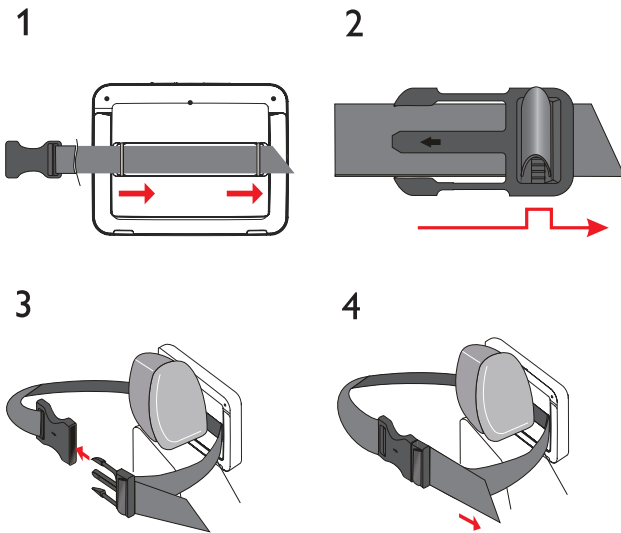
If you contact Philips, you will be asked for the model and serial number of this apparatus. The model number and serial number are on the back of the apparatus. Write the numbers here:

Model No. _____

Serial No. _____

Preparation (for in-car use)

To use the player in a car, attach the main unit to the back of the front seat headrest.

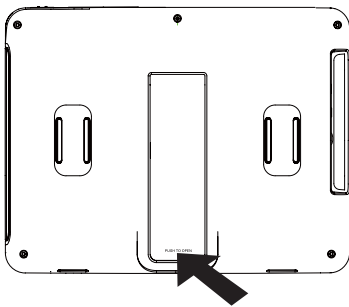


- 1 Pull the strap through the loops on the back of the main unit.
- 2 Hold the buckle with the marked arrow facing you, then attach the buckle to the strap.
- 3 Position the main unit at the back of the headrest, then fasten the buckle.
- 4 Pull the strap to secure the main unit to the headrest.

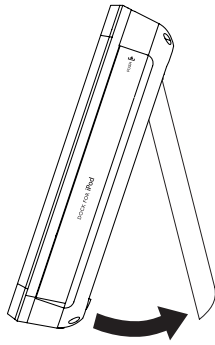
Preparation (for indoor use)

To place the player on a table for video viewing:

- 1 Push to open the stand on the rear of the player.



- 2 Prop up the player on the table.



Charge the battery



Caution

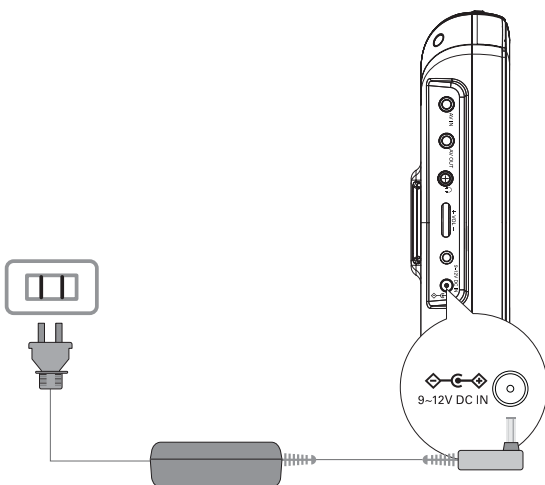
- Risk of product damage! Ensure that the power supply voltage corresponds to the voltage printed on the bottom of the player.
- Use only the supplied AC adaptor to charge the battery.



Note

- The type plate is located on the back of the player.
- You can only charge the player when it is in power-off mode.

- 1 Slide the **ON•POWER•OFF** switch to **OFF** position.
- 2 Connect the supplied AC adaptor to the player and to the AC outlet.



- ↳ The charge indicator turns on. It takes about 3 hours to fully charge the battery.
- ↳ When the battery is fully charged, the charge indicator turns off.

Install remote control battery



Caution

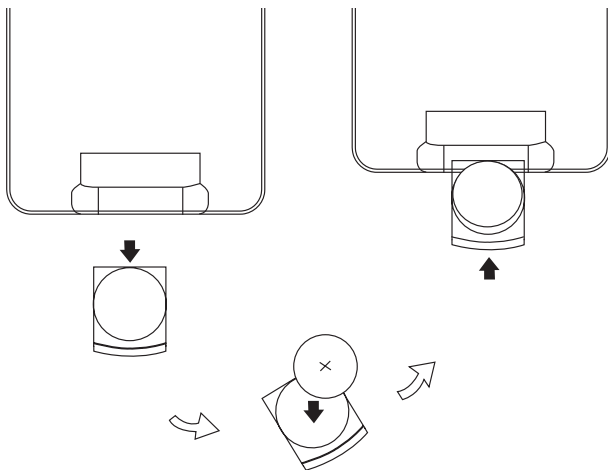
- Risk of explosion! Keep batteries away from heat, sunshine or fire. Never discard batteries in fire.
- Risk of decreased battery life! Never mix different brands or types of batteries.
- Risk of product damage! When the remote control is not used for long periods, remove the batteries.
- Perchlorate Material - special handling may apply. See www.dtsc.ca.gov/hazardouswaste/perchlorate.

For first-time use:

- 1 Remove the protective tab to activate the remote control battery.

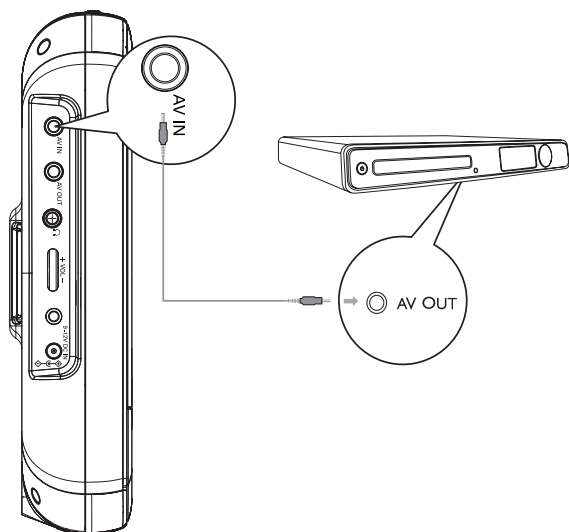
To replace the remote control battery:

- 1 Open the battery compartment.
- 2 Insert 1 CR2025 battery with correct polarity (+/-) as indicated.
- 3 Close the battery compartment.



Connect additional equipment

Connect an external AV device

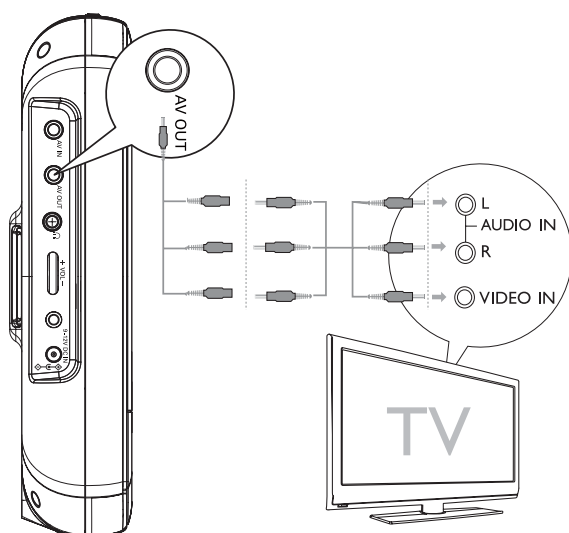


- 1 Connect the supplied AV cable to:
 - the **AV IN** jack on the main unit.
 - the **AV OUT** jack on the external device.

Connect a TV

You can connect the player to a TV to enjoy video.

- Match the color of the AV cables (not supplied) with the jacks: the yellow cable is for the yellow video jack, the red/white cable is for the red/white audio jacks.



Listen through headphone

- 1 Plug a headphone into the  socket on the unit.
-

Check the battery status

To view the battery status of the main unit:

- Check the battery icon on the upper right of the display panel.



Note

- The batteries of the main unit and the docked iPod cannot exchange power.



Tip

- When there is less than 5 minutes of battery life, the battery icon begins to blink.

4 Play

Turn on

Slide the **ON•POWER•OFF** switch to the **ON** position.

↳ The  indicator turns on.

Select OSD language

You can choose a different language for the on-screen display text.

- 1 Press **MENU**.
↳ The setup menu appears.
 - 2 Select [**Settings**] > [**Language**].
 - 3 Press ►► to select an option.
 - 4 Press **OK** to confirm.
 - 5 Press **MENU** to exit.
-

Play iPod

You can enjoy audio/video from iPod through this unit.

Compatible iPod

Apple iPod models with a 30-pin dock connector:

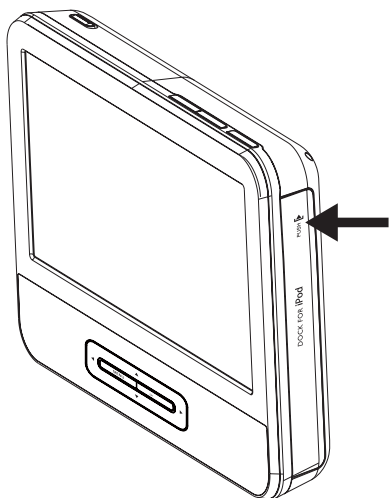
- iPod classic
 - iPod touch (1st/2nd generation)
 - iPod nano (3rd/4th generation)
 - iPod video (5th generation).
-

Select the correct dock adaptor

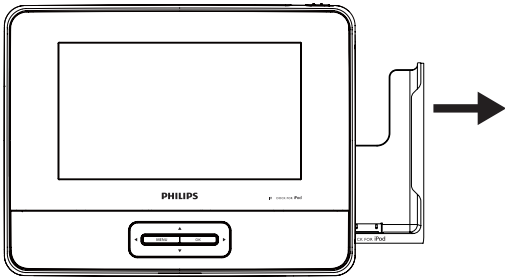
There are 3 dock adaptors supplied. The dock adaptors fit the iPod models that begin with the model indicated on the dock adaptors.

Load the iPod

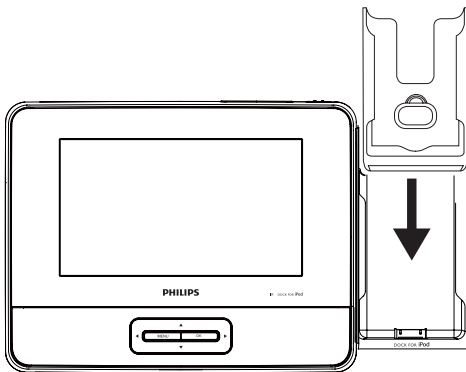
- 1 Push to eject the dock for iPod.



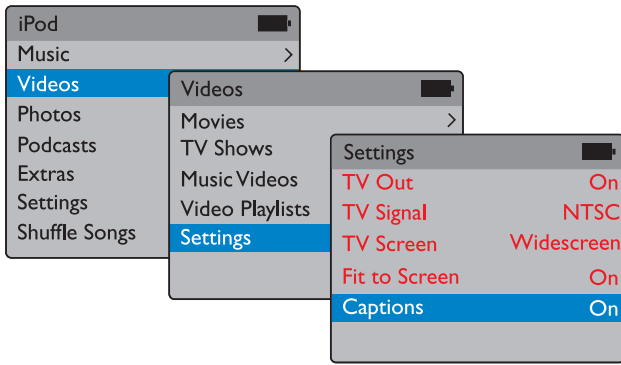
- 2 Pull the dock out.



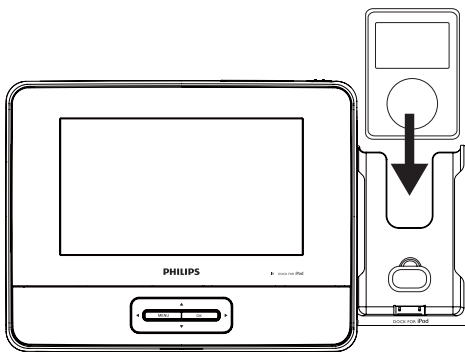
- 3 Select one of the supplied dock adaptors and put it into the dock.



- 4 Switch on your iPod player and set:
- 1) **“TV Out”** to **“On”**.
 - 2) **“TV Signal”** to **“NTSC”**.
 - 3) **“TV Screen”** to **“Widescreen”**.
 - 4) **“Fit to Screen”** to **“On”**.
 - 5) **“Captions”** to **“On”**.
- (See your iPod user manual for details.)



5 Put your iPod in the dock.



Play from iPod

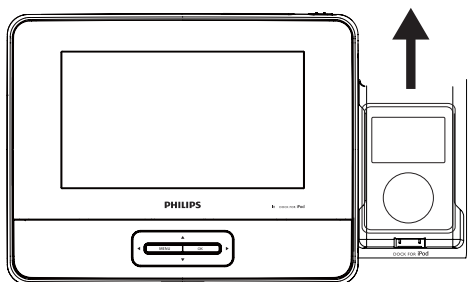
- 1 Ensure that the iPod is loaded correctly.
- 2 Press **SRC** to select iPod source.
 - ↳ The connected iPod plays automatically.
 - To pause/resume play, press **▶||**.
 - To skip to a track, press **◀◀/▶▶**.
 - To search during play: press and hold **◀◀/▶▶**, then release to resume normal play.
 - To navigate the menu: press **MENU**, press **▲▼/◀◀/▶▶** to select, then press **OK** to confirm.

Charge the iPod

When the unit is connected to power, the docked iPod begins to charge.

Remove the iPod

- 1 Pull the iPod out of the dock.



Play from an external AV device

- 1 Ensure that the external AV device is connected correctly.
- 2 Press **SRC** to select AV IN source.
- 3 Start to play the device. (See the device user manual)

5 Adjust settings

To maximize your play experience, use **MENU** to fine tune your settings.

- 1 Press **MENU**.
 - ↳ The setup menu is displayed.
- 2 Use navigation keys to select an option and press **OK** to confirm.

[Settings]

[Language] select on-screen display language.

[Shuffle] select shuffle play mode.

[Repeat] select repeat play mode.

[TV Screen] select display ratio.

[Fit to screen] select **[Off]** or **[On]**.

[Brightness] select the brightness level for display panel.

[Reset All Settings] restore default settings.

[About] show product firmware information.

- 3 Press **◀◀** to go back to previous menu level.
- 4 Press **MENU** to exit.

6 Adjust sound

Adjust volume

- 1 During play, press **VOL +/-** to increase/decrease the volume.
-

Mute sound

- 1 During play, press **MUTE** to mute/unmute sound.
-

7 Product information

Note

- Product information is subject to change without prior notice.
-

Specifications

Power supply	Input: 100-240V~, 50/60Hz, 0.3A Output: DC 9V, 1A
Power consumption	9 W
Dimensions	224 x 173 x 40.5 mm
Weight	0.63 kg
Operating temperature range	0-50°C
Video system	NTSC/PAL

8 Troubleshooting



Warning

- Risk of electric shock. Never remove the casing of the player.

To keep the warranty valid, never try to repair the system yourself. If you encounter problems when using the player, check the following points before requesting service. If the problem remains unsolved, register your player and get support at www.philips.com/welcome.

No power

- Ensure that both plugs of the mains cord are properly connected.
- Ensure that there is power at the AC outlet.
- Check if the built-in battery is drained.

No sound

- Ensure that the AV cable is connected correctly.
- Adjust the volume.

No response to the remote control

- Ensure that the path between the remote control and the player is clear from obstacles.
- From a close distance, point the remote control directly at the player.
- Replace the remote control battery.

Distorted picture

- Change the video output format to match your TV or program.
- The LCD is manufactured using high precision technology. You may, however, see tiny black points and/or bright points (red, blue, green) that continuously appear on the LCD. This is a normal result of the manufacturing process and does not indicate a malfunction.

The player feels warm

- When the player is in use for a long period of time, its surface will be heated. This is normal.

Philips Consumer Lifestyle
A Division of Philips Electronics North America Corporation
P.O. BOX 671539, Marietta, GA. 30006-0026



© 2009 Koninklijke Philips Electronics N.V.

All rights reserved.

Printed in China

DCP746_37_UM_V1.1

