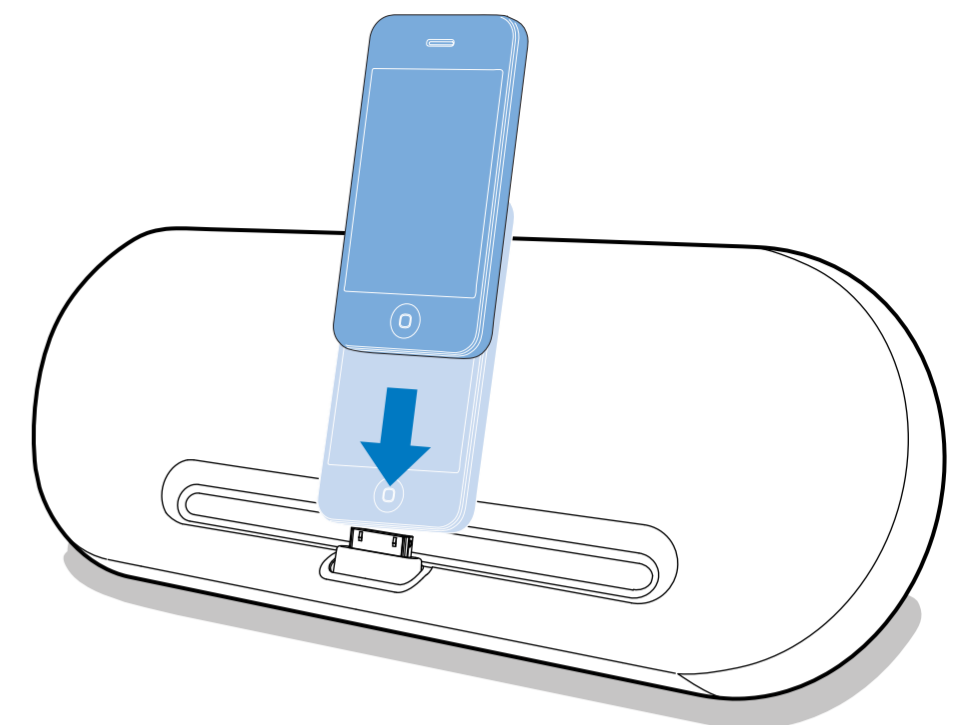
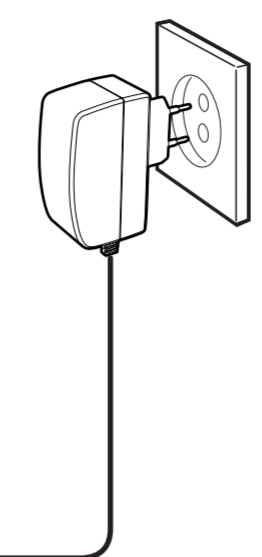
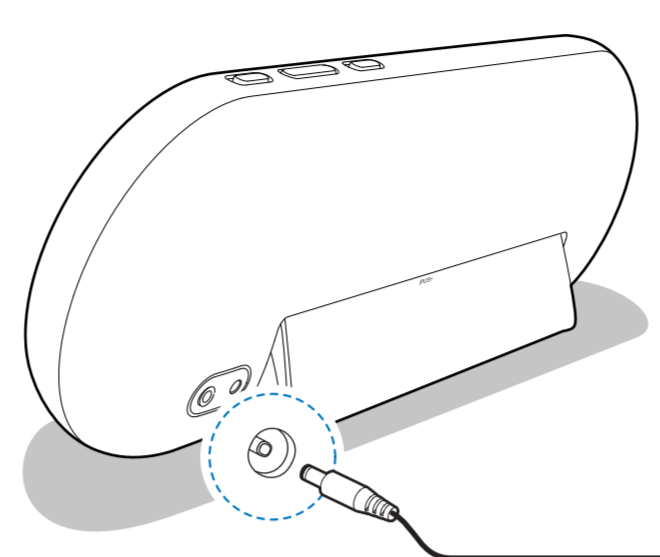
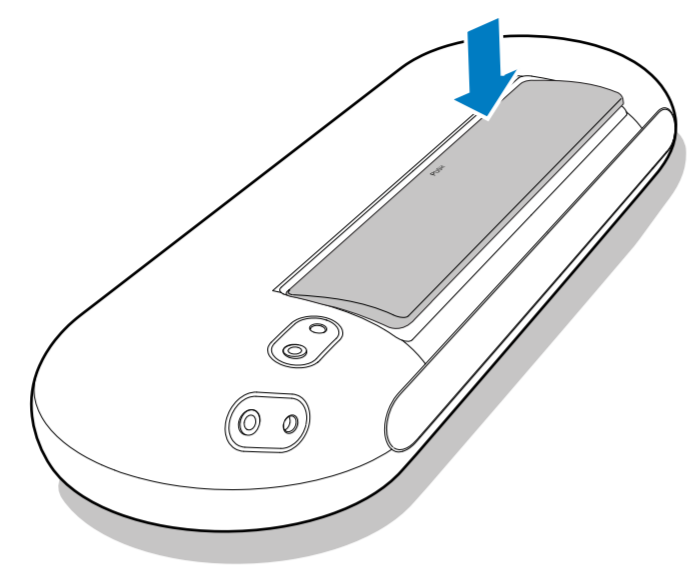


02A701257510 2/V
 All rights reserved.
 Reproduction in whole or in part is prohibited without the written consent of the copyright owner.
 Trademarks are the property of Koninklijke Philips Electronics N.V. or their respective owners.
 Product information is subject to change without prior notice.
 © 2011 Koninklijke Philips Electronics N.V.

Be responsible
 Respect copyrights

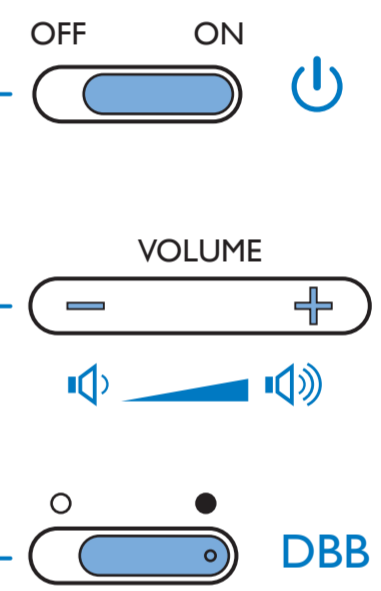
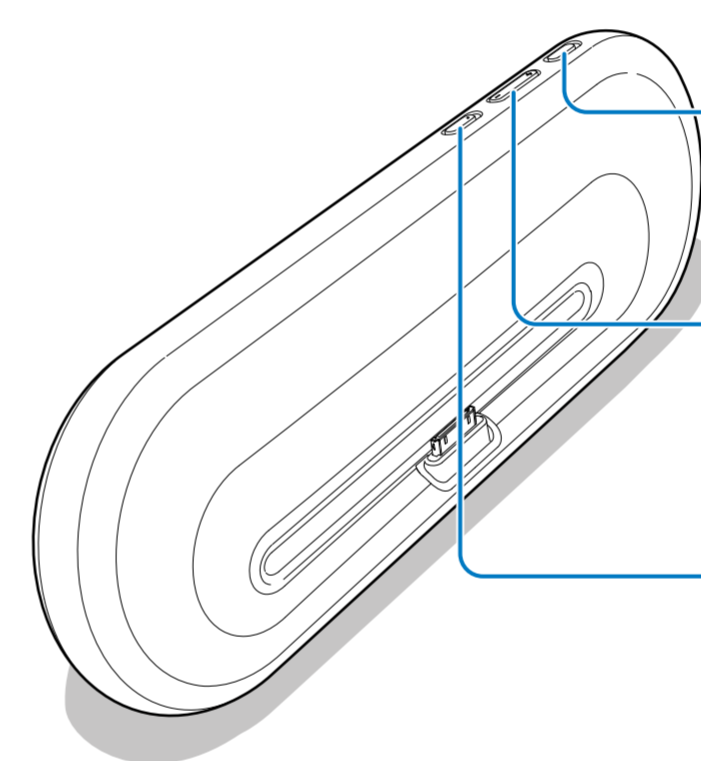
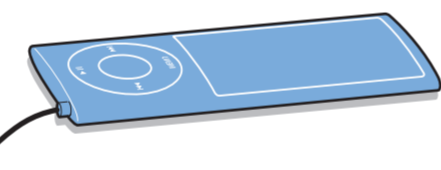
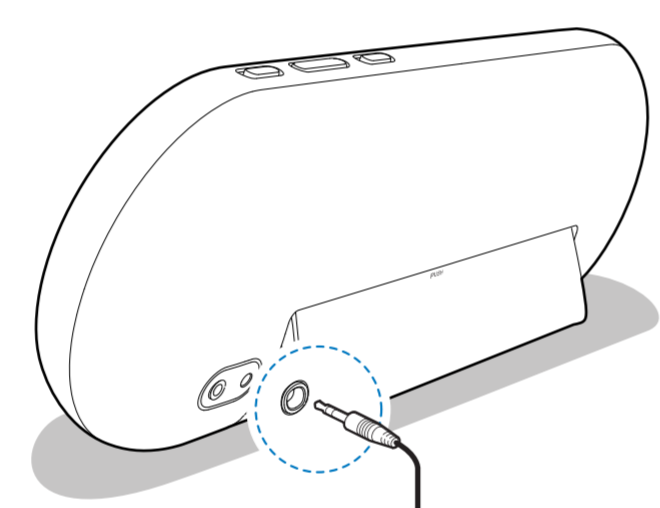


Register your product and get support at
www.philips.com/welcome

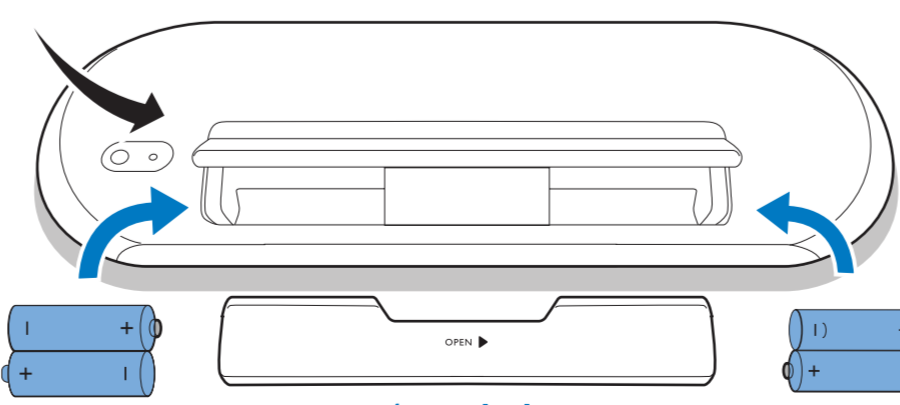
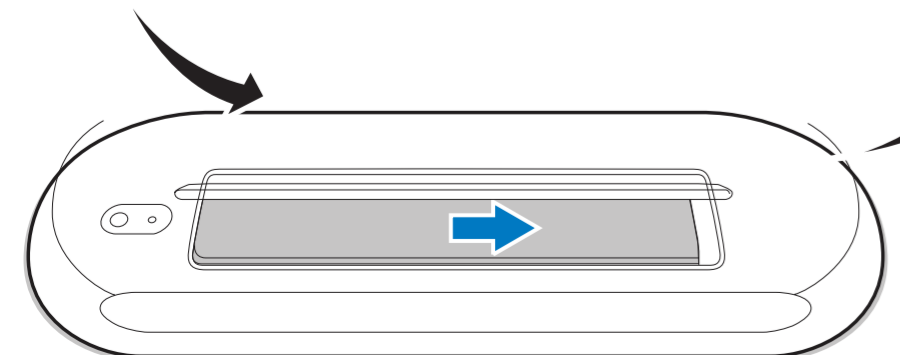
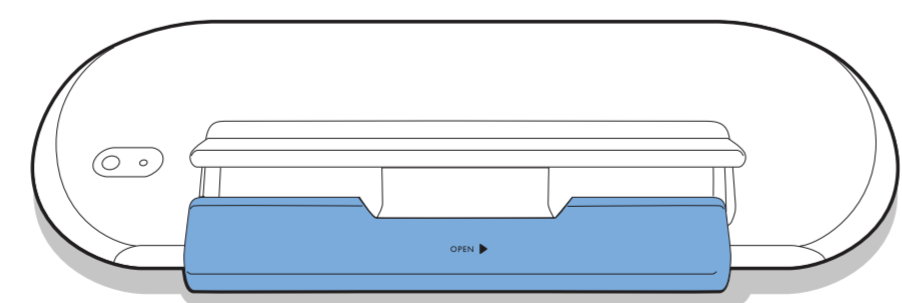
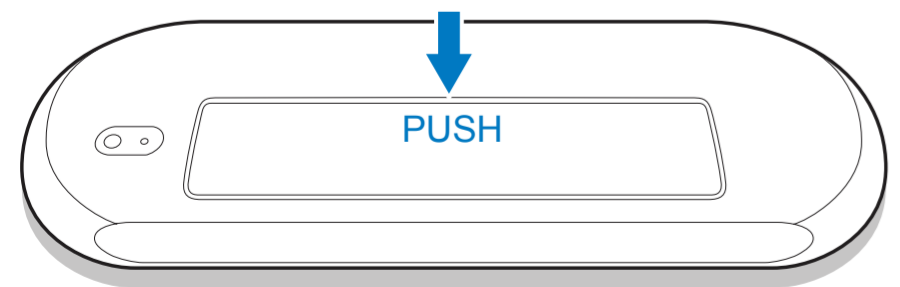
DS7510



Quick start guide **English**
 Lynvejledning **Dansk**
 Schnellstartanleitung **Deutsch**
 Guía de configuración rápida **Español**
 Guide de démarrage rapide **Français**
 Guida di avvio rapido **Italiano**
 Snelstartgids **Nederlands**
 Snabbstartguide **Svenska**
 Stručný návod k rychlému použití **Čeština**
 Οδηγός γρήγορης έναρξης **Ελληνικά**
 Käyttöohje **Suomi**
 Rövid útazó helyezési útmutató **Magyar**
 Skrócona instrukcja obsługi **Polski**
 Manual de Início Rápido **Português**
 Краткое руководство **Русский**
 Stručná úvodná príručka **Slovensky**
 요약 설명서 **한국어**
 快速啟用指南 **繁體中文**



PHILIPS



4 x AA



- iPod touch(1G,2G,3G,4G)
- iPhone, iPhone 3G, iPhone 3GS, iPhone 4
- iPod nano 1G, iPod nano 2G, iPod nano 3G, iPod nano 4G, iPod nano 5G, iPod nano 6G
- iPod mini, iPod (4G,5G), iPod classic

