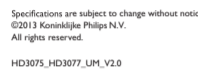


HD 3075
HD 3077



EN User manual TH คู่มือผู้ใช้
HI उत्प्रेक्षकत मैनुअल VI Hướng dẫn sử dụng
MS-MY Manual pengguna ZH-CN 用户手册

PHILIPS



EN

Congratulations on your purchase, and welcome to Philips! To fully benefit from the support that Philips offers, register your product at www.philips.com/welcome.

1 What's in the box

- | | |
|-----------------------------|---------------|
| Fuzzy rice cooker main unit | Steam basket |
| Rice scoop | Soup ladle |
| Measuring cup | User manual |
| Safety | Warranty card |

Overview

① Sealing ring	⑦ Power plug
② Detachable steam vent cap	⑧ Heating element
③ Inner pot	⑨ Cooker handle
④ Lid release button	⑩ Water level indications
⑤ Control panel	⑪ Detachable inner lid
⑥ Main body	⑫ Outer lid

Controls overview

① Keep warm/ Off button	⑩ Child lock
② Hour button	⑪ Hour button
③ Minute button	⑫ Cooking time button
④ Cooking time button	⑬ Cooking functions
⑤ Preset time button	

Specifications

Model	Capacity
HD3075	4.0L
HD3077	5.0L

Before first use

- Take out all the accessories from the inner pot. Remove the sheet between the inner pot and the heating element.
- Clean the parts of the rice cooker thoroughly before using the rice cooker for the first time (see chapter 'Cleaning').

Note

- Make sure all parts are completely dry before you start using the rice cooker.

Note

- Each cup of uncooked rice normally gives 2 bowls of cooked rice. Do not exceed the quantities indicated on the inside of the inner pot. 1 cup of rice is approximately 180ml.
- Use a separate container to wash the rice to avoid damaging the non-stick coating of the inner pot.
- The level marked inside the inner pot is just an indication. You can always adjust the water level for different types of rice and your own preference.
- Make sure that the outside of the inner pot is dry and clean, and that there is no foreign residue on the heating element or the magnetic switch.

Note

- Do not exceed the volume indicated nor exceed the maximum water level indicated in the inner pot, as this may cause the rice cooker to overflow.
- After you press the menu button (☰) and left it in idle for 15 seconds, your rice cooker will sound and return to waiting mode automatically.
- You can press the off button (⏻) or unplug the rice cooker to turn off the keep warm function or when not in use.

Rice cooking

There are three rice cooking functions for HD3075 and HD3077.

Cooking function	Estimated cooking time for 8 cups of rice (HD3075) and 10 cups of rice (HD3077)
Normal rice cooking (☰)	45 minutes
Express rice cooking (☰)	40 minutes
Small amount of rice cooking (☰)	35 minutes

Clay pot rice cooking

Cooking function	Estimated cooking time for 2 - 4 cups of rice (HD3075 and HD3077)
Clay pot rice cooking (☰)	1 hour 20 minutes

Cooking congee and making soup

Cooking function	Estimated cooking time
Cooking congee (☰)	1 hour (for 1 cup of rice for both HD3075 and HD3077)
Making soup (☰)	1 hour

Making soup with rice

Cooking function	Estimated cooking time for 8 cups of rice (HD3075) and 10 cups of rice (HD3077)
Soup with rice (☰)	35 minutes

Tip

- Press the minute button (⌚) once to increase the timer by 1 minute. Press and hold the minute button (⌚) to fast forward the timer by 10 minutes.
- You can select the cooking time between 25 to 59 minutes.

Baking cake

Cooking function	Estimated cooking time
Baking cake (☰)	45 minutes

Note

- After you press the menu button (☰) and left it in idle for 15 seconds, your rice cooker will sound and return to waiting mode automatically.
- Use a kitchen glove or a cloth as the inner pot will be very hot.
- You can press the off button (⏻) or unplug the rice cooker to turn off the keep warm function or when not in use.

Tip

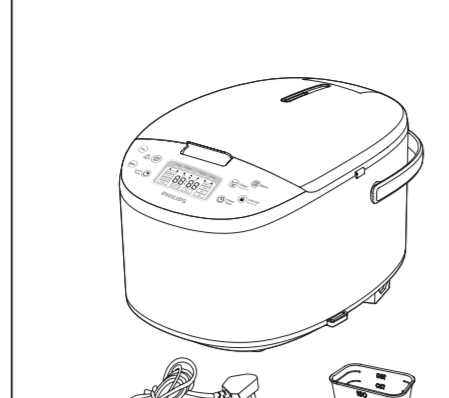
- Press the minute button (⌚) once to increase the timer by 1 minute. Press and hold the minute button (⌚) to fast forward the timer by 10 minutes.

Steaming

Cooking function	Estimated cooking time
Steaming (☰)	20 minutes

What's in the box

What's in the box
बॉक्स में क्या है
Trong hộp có gì



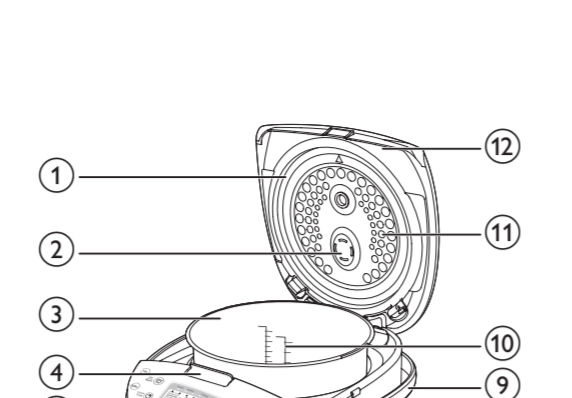
EN User manual TH คู่มือผู้ใช้
HI उत्प्रेक्षकत मैनुअल VI Hướng dẫn sử dụng
MS-MY Manual pengguna ZH-CN 用户手册

PHILIPS



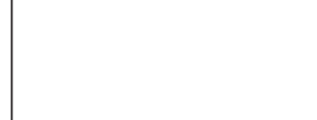
Apa dalam kotak ini

Apa dalam kotak ini
包裝盒內物品



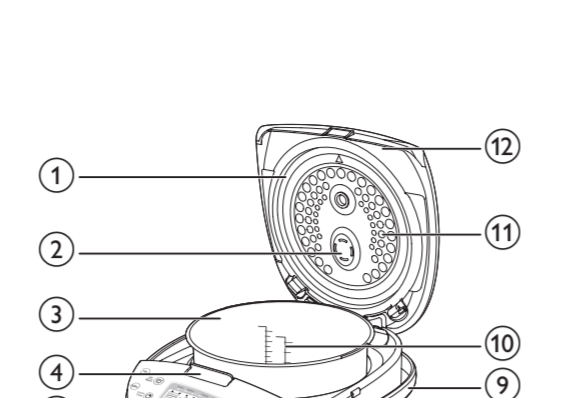
EN User manual TH คู่มือผู้ใช้
HI उत्प्रेक्षकत मैनुअल VI Hướng dẫn sử dụng
MS-MY Manual pengguna ZH-CN 用户手册

PHILIPS



What's in the box

What's in the box
बॉक्स में क्या है
Trong hộp có gì



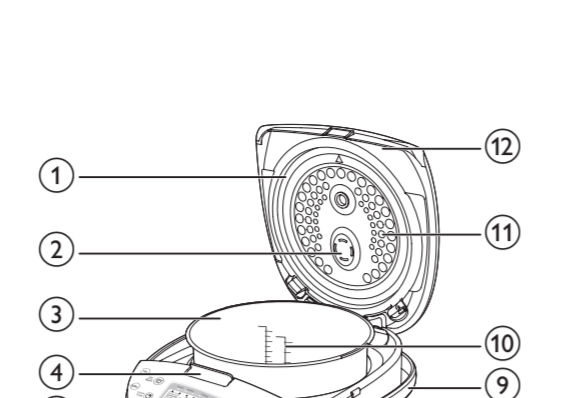
EN User manual TH คู่มือผู้ใช้
HI उत्प्रेक्षकत मैनुअल VI Hướng dẫn sử dụng
MS-MY Manual pengguna ZH-CN 用户手册

PHILIPS



Apa dalam kotak ini

Apa dalam kotak ini
包裝盒內物品



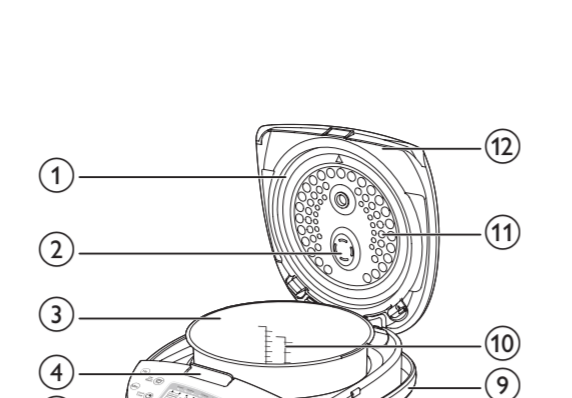
EN User manual TH คู่มือผู้ใช้
HI उत्प्रेक्षकत मैनुअल VI Hướng dẫn sử dụng
MS-MY Manual pengguna ZH-CN 用户手册

PHILIPS



What's in the box

What's in the box
बॉक्स में क्या है
Trong hộp có gì



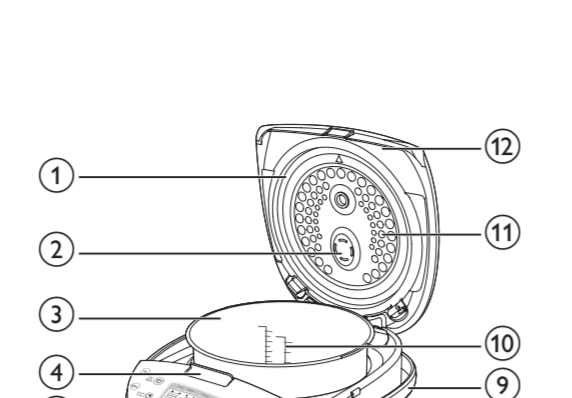
EN User manual TH คู่มือผู้ใช้
HI उत्प्रेक्षकत मैनुअल VI Hướng dẫn sử dụng
MS-MY Manual pengguna ZH-CN 用户手册

PHILIPS



Apa dalam kotak ini

Apa dalam kotak ini
包裝盒內物品



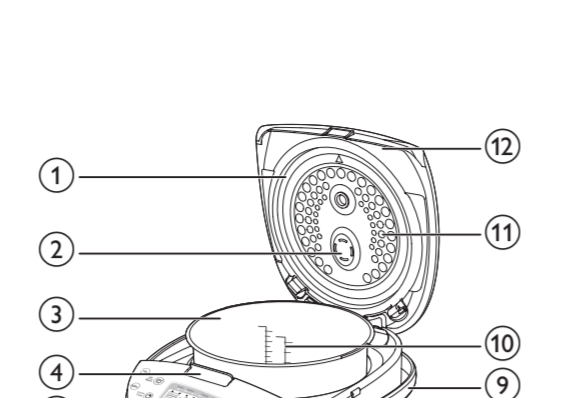
EN User manual TH คู่มือผู้ใช้
HI उत्प्रेक्षकत मैनुअल VI Hướng dẫn sử dụng
MS-MY Manual pengguna ZH-CN 用户手册

PHILIPS



What's in the box

What's in the box
बॉक्स में क्या है
Trong hộp có gì



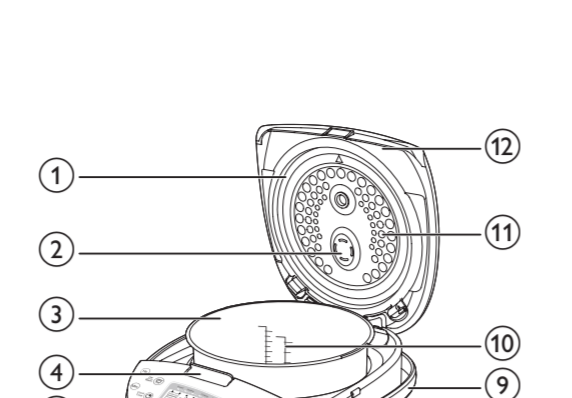
EN User manual TH คู่มือผู้ใช้
HI उत्प्रेक्षकत मैनुअल VI Hướng dẫn sử dụng
MS-MY Manual pengguna ZH-CN 用户手册

PHILIPS



Apa dalam kotak ini

Apa dalam kotak ini
包裝盒內物品



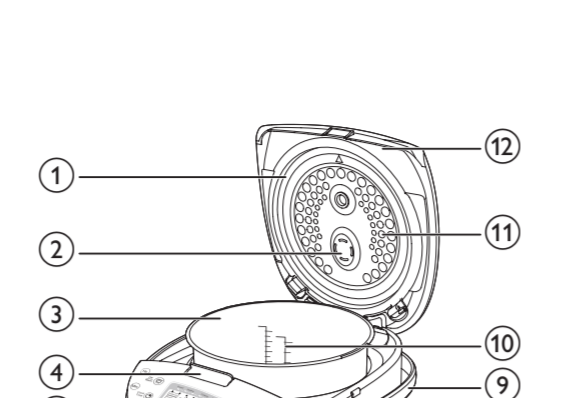
EN User manual TH คู่มือผู้ใช้
HI उत्प्रेक्षकत मैनुअल VI Hướng dẫn sử dụng
MS-MY Manual pengguna ZH-CN 用户手册

PHILIPS



What's in the box

What's in the box
बॉक्स में क्या है
Trong hộp có gì



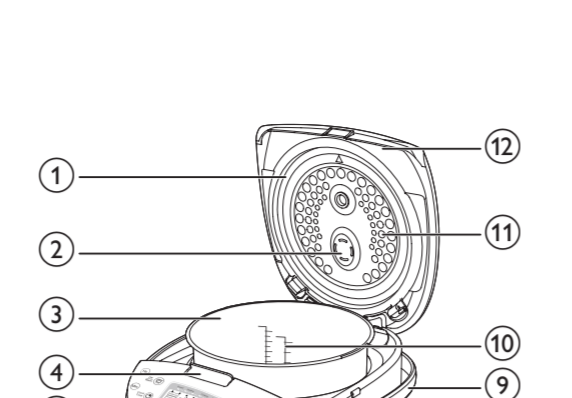
EN User manual TH คู่มือผู้ใช้
HI उत्प्रेक्षकत मैनुअल VI Hướng dẫn sử dụng
MS-MY Manual pengguna ZH-CN 用户手册

PHILIPS



Apa dalam kotak ini

Apa dalam kotak ini
包裝盒內物品



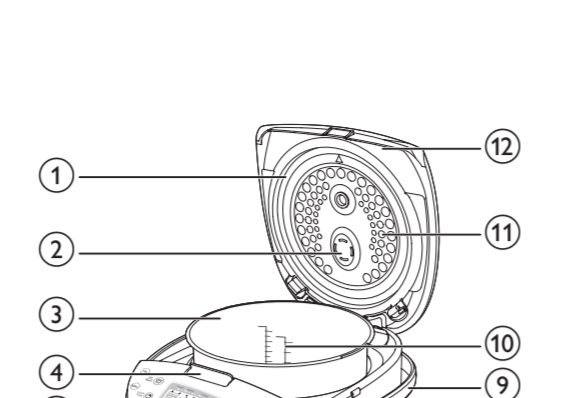
EN User manual TH คู่มือผู้ใช้
HI उत्प्रेक्षकत मैनुअल VI Hướng dẫn sử dụng
MS-MY Manual pengguna ZH-CN 用户手册

PHILIPS



What's in the box

What's in the box
बॉक्स में क्या है
Trong hộp có gì



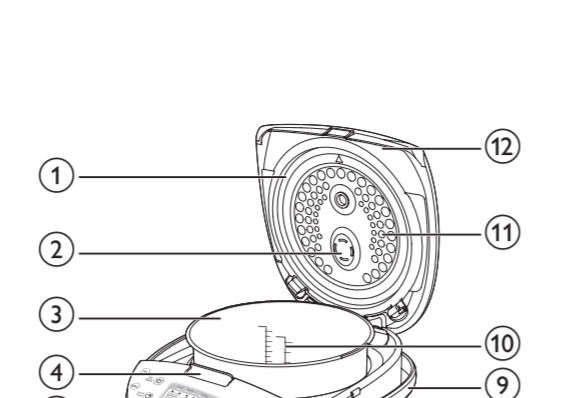
EN User manual TH คู่มือผู้ใช้
HI उत्प्रेक्षकत मैनुअल VI Hướng dẫn sử dụng
MS-MY Manual pengguna ZH-CN 用户手册

PHILIPS



Apa dalam kotak ini

Apa dalam kotak ini
包裝盒內物品



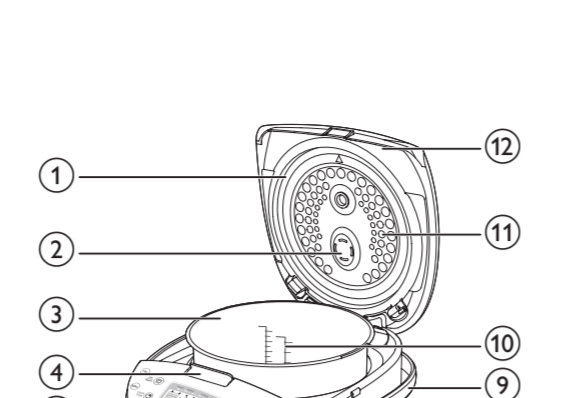
EN User manual TH คู่มือผู้ใช้
HI उत्प्रेक्षकत मैनुअल VI Hướng dẫn sử dụng
MS-MY Manual pengguna ZH-CN 用户手册

PHILIPS



What's in the box

What's in the box
बॉक्स में क्या है
Trong hộp có gì



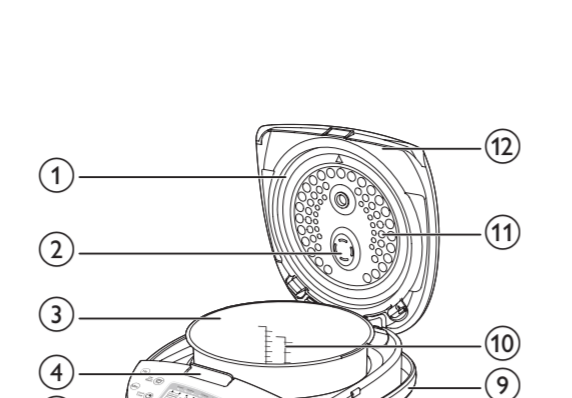
EN User manual TH คู่มือผู้ใช้
HI उत्प्रेक्षकत मैनुअल VI Hướng dẫn sử dụng
MS-MY Manual pengguna ZH-CN 用户手册

PHILIPS



Apa dalam kotak ini

Apa dalam kotak ini
包裝盒內物品



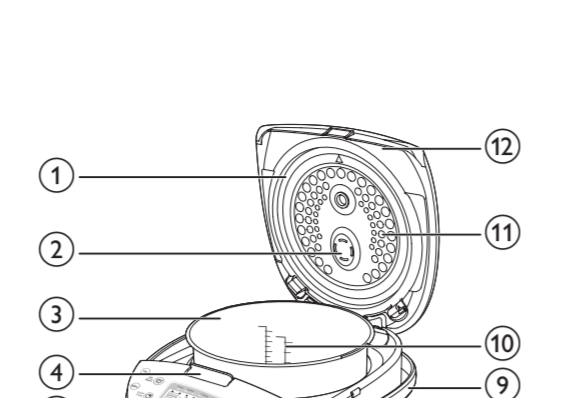
EN User manual TH คู่มือผู้ใช้
HI उत्प्रेक्षकत मैनुअल VI Hướng dẫn sử dụng
MS-MY Manual pengguna ZH-CN 用户手册

PHILIPS



What's in the box

What's in the box
बॉक्स में क्या है
Trong hộp có gì



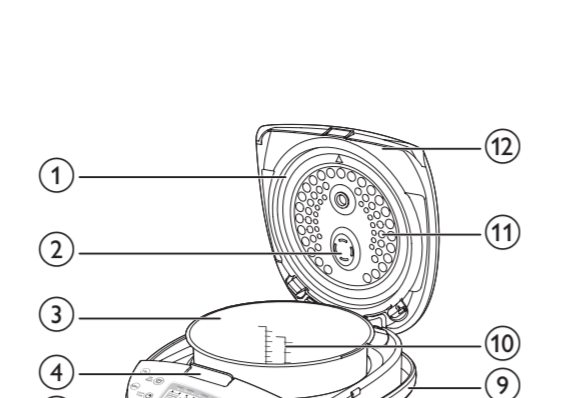
EN User manual TH คู่มือผู้ใช้
HI उत्प्रेक्षकत मैनुअल VI Hướng dẫn sử dụng
MS-MY Manual pengguna ZH-CN 用户手册

PHILIPS



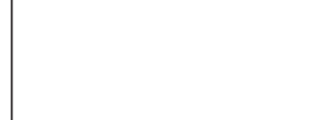
Apa dalam kotak ini

Apa dalam kotak ini
包裝盒內物品



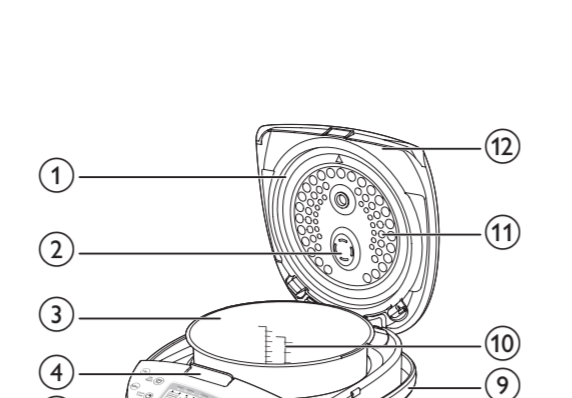
EN User manual TH คู่มือผู้ใช้
HI उत्प्रेक्षकत मैनुअल VI Hướng dẫn sử dụng
MS-MY Manual pengguna ZH-CN 用户手册

PHILIPS



What's in the box

What's in the box
बॉक्स में क्या है
Trong hộp có gì



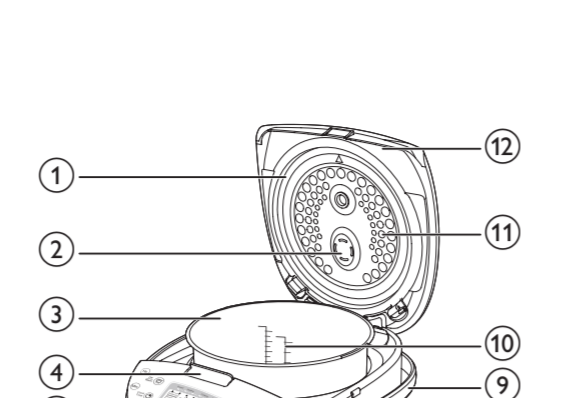
EN User manual TH คู่มือผู้ใช้
HI उत्प्रेक्षकत मैनुअल VI Hướng dẫn sử dụng
MS-MY Manual pengguna ZH-CN 用户手册

PHILIPS



Apa dalam kotak ini

Apa dalam kotak ini
包裝盒內物品



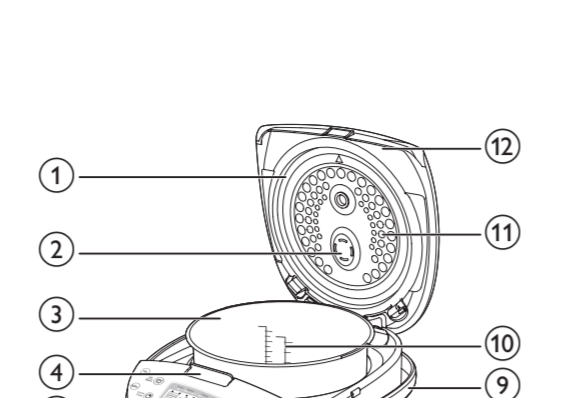
EN User manual TH คู่มือผู้ใช้
HI उत्प्रेक्षकत मैनुअल VI Hướng dẫn sử dụng
MS-MY Manual pengguna ZH-CN 用户手册

PHILIPS



What's in the box

What's in the box
बॉक्स में क्या है
Trong hộp có gì



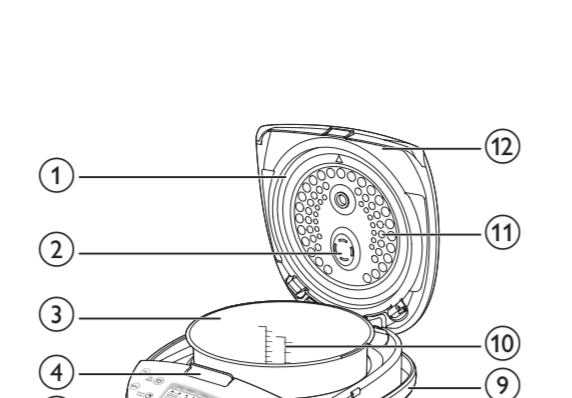
EN User manual TH คู่มือผู้ใช้
HI उत्प्रेक्षकत मैनुअल VI Hướng dẫn sử dụng
MS-MY Manual pengguna ZH-CN 用户手册

PHILIPS



Apa dalam kotak ini

Apa dalam kotak ini
包裝盒內物品



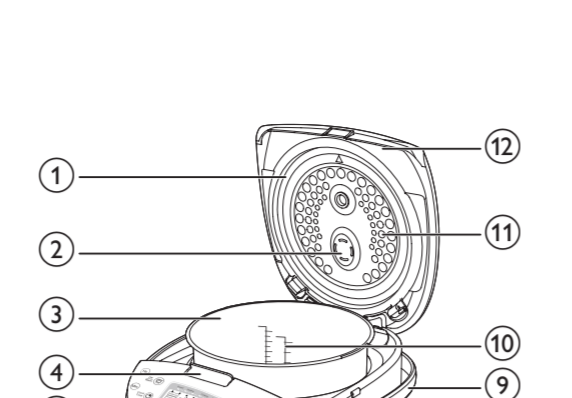
EN User manual TH คู่มือผู้ใช้
HI उत्प्रेक्षकत मैनुअल VI Hướng dẫn sử dụng
MS-MY Manual pengguna ZH-CN 用户手册

PHILIPS



What's in the box

What's in the box
बॉक्स में क्या है
Trong hộp có gì



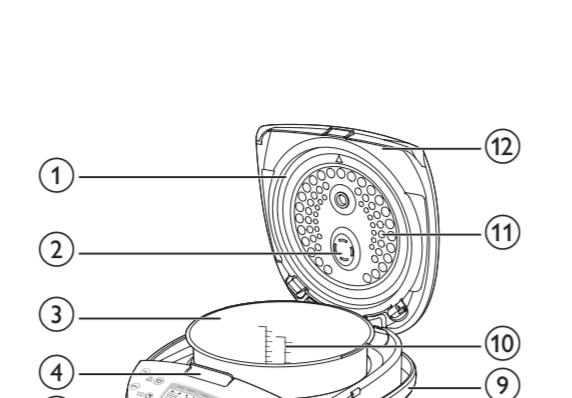
EN User manual TH คู่มือผู้ใช้
HI उत्प्रेक्षकत मैनुअल VI Hướng dẫn sử dụng
MS-MY Manual pengguna ZH-CN 用户手册

PHILIPS



Apa dalam kotak ini

Apa dalam kotak ini
包裝盒內物品



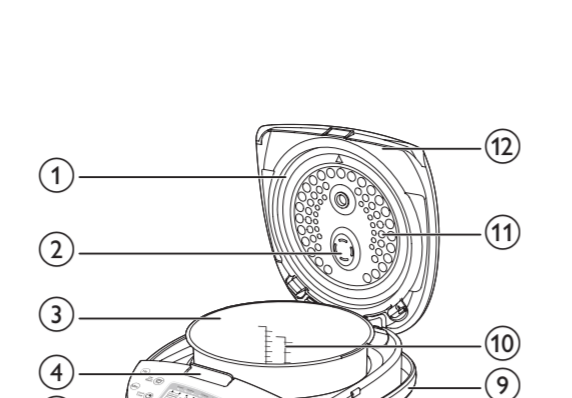
EN User manual TH คู่มือผู้ใช้
HI उत्प्रेक्षकत मैनुअल VI Hướng dẫn sử dụng
MS-MY Manual pengguna ZH-CN 用户手册

PHILIPS



What's in the box

What's in the box
बॉक्स में क्या है
Trong hộp có gì



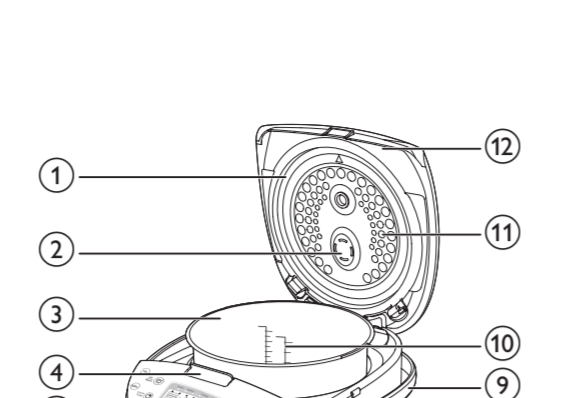
EN User manual TH คู่มือผู้ใช้
HI उत्प्रेक्षकत मैनुअल VI Hướng dẫn sử dụng
MS-MY Manual pengguna ZH-CN 用户手册

PHILIPS



Apa dalam kotak ini

Apa dalam kotak ini
包裝盒內物品



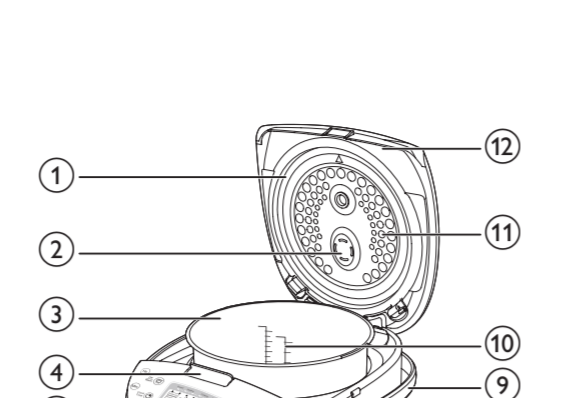
EN User manual TH คู่มือผู้ใช้
HI उत्प्रेक्षकत मैनुअल VI Hướng dẫn sử dụng
MS-MY Manual pengguna ZH-CN 用户手册

PHILIPS



What's in the box

What's in the box
बॉक्स में क्या है
Trong hộp có gì



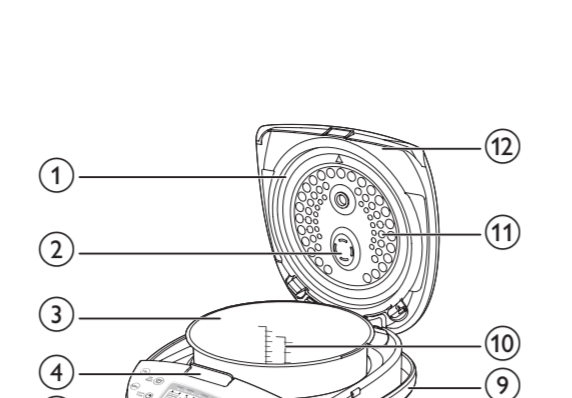
EN User manual TH คู่มือผู้ใช้
HI उत्प्रेक्षकत मैनुअल VI Hướng dẫn sử dụng
MS-MY Manual pengguna ZH-CN 用户手册

PHILIPS



Apa dalam kotak ini

Apa dalam kotak ini
包裝盒內物品



EN User manual TH คู่มือผู้ใช้
HI उत्प्रेक्षकत मैनुअल VI Hướng dẫn sử dụng
MS-MY Manual pengguna ZH-CN 用户手册

PHILIPS



