



PHILIPS



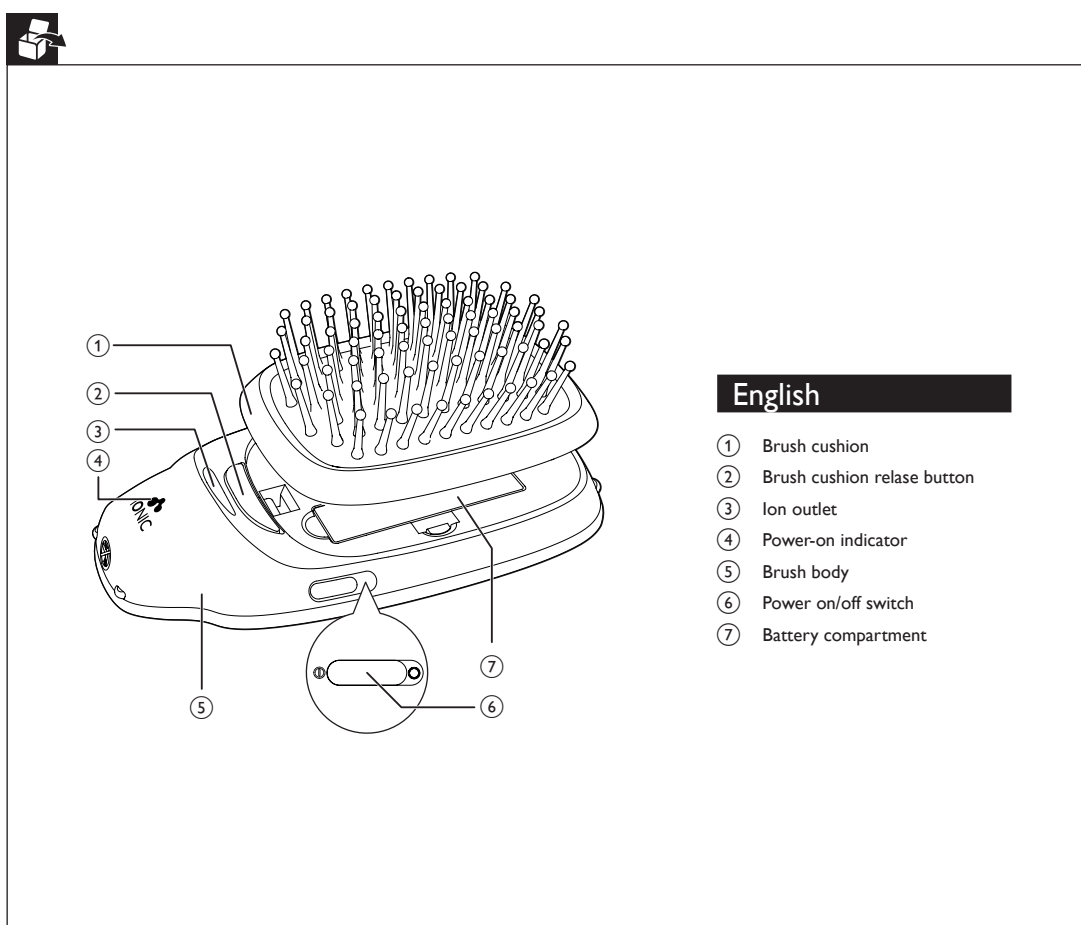
English

Congratulations on your purchase, and welcome to Philips! To fully benefit from the support that Philips offers, register your product at www.philips.com/welcome.

1 Important

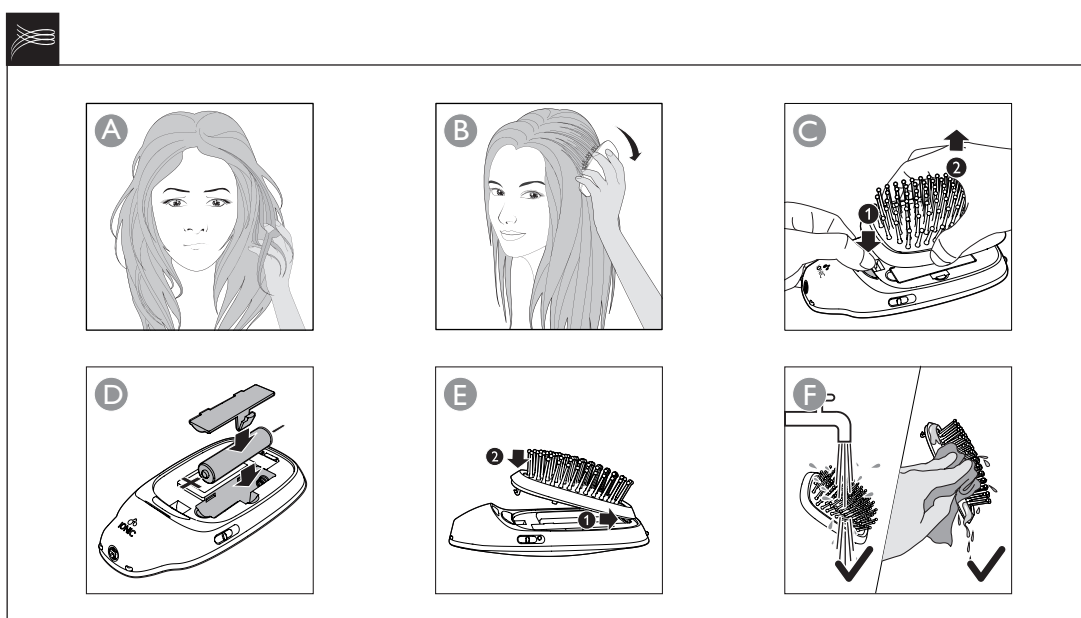
Read this user manual carefully before you use the appliance and keep it for future reference.

- **WARNING:** Do not use this appliance near water.
- Never immerse the brush body in water or any other liquid, nor rinse it under the tap.
- Always switch off the appliance after use.
- This appliance can be used by children aged from 8 years and above and persons with reduced physical, sensory or mental capabilities or lack of experience and knowledge if they have been given supervision or instruction concerning use of the appliance in a safe way and understand the hazards involved.
- Children shall not play with the appliance. Cleaning and user maintenance shall not be made by children without supervision.
- Always return the appliance to a service centre authorized by Philips for examination or repair. Repair by unqualified people could result in an extremely hazardous situation for the user.
- Never use any accessories or parts from other manufacturers or that Philips does not specifically recommend. If you use such



English

- 1 Brush cushion
- 2 Brush cushion release button
- 3 Ion outlet
- 4 Power-on indicator
- 5 Brush body
- 6 Power on/off switch
- 7 Battery compartment



accessories or parts, your guarantee becomes invalid.

- Do not use the appliance for any other purpose than described in this manual.
- Do not use the appliance on artificial hair.
- Never block the ion outlet.
- Do not insert metal objects into the ion outlet to avoid unexpected dangers.
- Do not use this ion brush together with hairdryer for styling purpose.
- Never rinse the brush body under tap water.
- Do not expose the brush under sunlight for long period of time. The ultraviolet ray may lead to aging in the brush, which the product can break easily.
- Use and store the appliance at a temperature between 15°C and 35°C.
- The appliance runs on one 1.5V AAA alkaline battery.
- Open battery compartment in order to install or remove the battery.
- The bypack battery is not rechargeable. Non-rechargeable batteries are not to be recharged.
- The rechargeable battery must be removed out of the appliance before being charged.
- Batteries are to be inserted with the correct polarity.

- Exhausted batteries are to be removed from the appliance and safely disposed of.
- If the appliance is to be stored unused for a long period, the batteries should be removed.
- The supply terminals are not to be short-circuited.

Electromagnetic fields (EMF)

This Philips appliance complies with all applicable standards and regulations regarding exposure to electromagnetic fields.

Environment

Do not throw away the appliance with the normal household waste at the end of its life, but hand it in an official collection point for recycling. By doing this, you help to preserve the environment.



2 Introduction

The new Philips Ionic Styling Brush helps to make your hair smooth and shiny anytime, anywhere with great brushing experience.

- **Ionic Care**
This ionic styling brush has built-in ionizer, which generates negative ions and neutralize positive charge of static electricity. It helps to reduce frizz and bring back shine and smoothness to your hair instantly.
- **Gentle Bristle**
All bristles tips are seamless to avoid scrubbing damage on scalp or hair trapping during usage. The special round ball tip has bigger touching surface so that it's more gentle to vulnerable scalp.
- **Optimal 3D Large Cushion**
The optimally designed bristle cushion enables better force distribution and follows the contours of the head naturally for more convenience and comfort.
- **Ergonomic Shape Brush**
The seamless and ergonomically curved shell fits in women's hand perfectly, ensuring great handling experience.
- **Detachable Bristle Cushion**
Bristle cushion can be easily detached so that you may clean it with water regularly to keep bristle clean.

3 Use your ionic styling brush

Install and detach the brush cushion

- 1 (Fig.C) To remove the brush cushion (1), push the release button (2) to detach it.
- 2 (Fig.E) To install the brush cushion (1), press it down into the brush body, you will hear a "click" if it is installed correctly.

Install and remove the battery

The ionic styling brush runs on one 1.5V AAA alkaline battery (Fig. D) We provide with one 1.5V AAA battery.

- 1 To remove the battery compartment cover, pull it off the appliance.
- 2 Put the battery in the battery holder or remove the battery out of the compartment.
- 3 Push the battery compartment cover back onto the appliance ('click').

Note

- Make sure that the + and - poles of the battery point in the right direction.
- Make sure that your hands are dry when you insert the battery.
- To avoid damage due to battery leakage. Remove the battery if you are not going to use the appliance for a month or more.
- Do not leave empty battery in the appliance.

Brush your hair (Fig.B)

- 1 Turn on the ion styling brush by sliding the power on/off switch (6) to I.
↳ The power-on indicator (4) lights up.
↳ When the appliance is powered on, ions are automatically and continuously released, reducing frizz and providing additional shine.
↳ You may hear a sizzling sound. It's common because it is caused by the ion generator.
- 2 Brush softly your hair from the roots to the ends. Repeat this step several times for smoother results.
- 3 Switch to O to switch off the appliance.
↳ You may hear a sizzling sound. It's common because the ions are not released fully.

After use:

- 1 You can use a damp cloth to clean the brush body (5).
- 2 To clean the brush cushion (1):
• Use your fingers to remove the dust or hair on the brush.
• Detach the brush cushion from the brush body and rinse it under tap water (Fig.F).

Note

- Make sure the brush cushion is completely dried before re-attaching to the brush body.
- Never use corrosive liquid to clean the brush cushion as it may cause damage to the product. It is recommended to use household cleanser to clean the brush cushion if needed.

- 3 Keep it in a safe and dry place or put it in your makeup bag for daily use.

Tips & Tricks

- 1 The ionic brush performs better when the hair is slightly wet.
- 2 If you wish to use the brush after washing your hair, dry your hair until 70% dry. Do not over dry your hair because it may affect the result.
- 3 Comb your hair slowly and repeatedly from the root until your hair is smooth. The time to comb varies according to your hair type and length.
- 4 It is not easy to observe the effect if:
• you have short or natural curly hair;
• your hair is easy to curl.
• your hair condition is too dry or damaged.
• you have straightening perm within 3 to 4 months.
• you have some short newly grown hair.
- 5 Apply leave in hair conditioner to your hair after brushing for best result.

4 Guarantee and service

If you need information e.g. about replacement of an attachment or if you have a problem, please visit the Philips website at www.philips.com or contact the Philips Customer Care Centre in your country (you find its phone number in the worldwide guarantee leaflet). If there is no Consumer Care Centre in your country, go to your local Philips dealer.

The bristle has a guarantee period of 3 months. If needed, you may purchase a separate bristle from Philips service center.

5 Troubleshooting

Problem	Cause	Solution
The appliance does not work.	The battery is exhausted.	Replace the battery.
	You have not place the battery in the battery compartment correctly.	Put the battery in the compartment in accordance with the + and - indications in the compartment.
	You have not attach the battery compartment cover properly.	Push the battery compartment cover onto the appliance ('click').
The ion indicator does not light up	The battery is installed incorrectly. The battery is nearly empty.	Check if the battery is installed with the right pole. Replace with a new battery.

简体中文

感谢您的惠顾，欢迎光临飞利浦！为了您能充分享受飞利浦提供的支持，请在 www.philips.com/welcome 注册您的产品。

1 重要事项

使用产品之前，请仔细阅读本用户手册，并妥善保管以供日后参考。

- **警告：**请勿在靠近水的地方使用本产品。
- **警告符号注释：**禁止用在打开的水龙头下进行清洗。



- 不要将梳体浸入水中，也不要在水龙头下冲洗。
- 使用后，务必关闭产品电源。
- 本产品适合由 8 岁或以上年龄的儿童以及肢体不健全、感觉或精神上有所障碍或缺乏相关经验和知识的人士使用，但前提是有人对他们使用本产品进行监督或指导，以确保他们安全使用，并且让他们明白相关的危害。
- 不得让儿童玩耍本产品。不要让儿童在无人监督的情况下进行清洁和保养。
- 产品只能送到飞利浦授权的服务中心检修。由不合格人员进行修理可能将用户置于极度危险的境地。
- 切勿使用由其它制造商生产的，或未经飞利浦特别推荐的任何附件或部件。如果使用此类附件或部件，您的保修将失效。
- 请勿将本产品用于本手册中说明以外的任何其它用途。
- 请勿将产品用于假发。
- 请勿阻塞负离子排出口。
- 请勿将金属物体插入负离子排出口，避免出现意外危险。
- 请勿将负离子造型梳与电吹风一起使用进行美发造型。
- 请勿在水龙头下冲洗梳体。
- 请勿将造型梳长时间曝晒于阳光下。紫外线可能导致造型梳老化，造成产品容易折断。
- 建议在 15°C 至 35°C 之间的温度下使用和存放产品。
- 产品使用一节 1.5V AAA 碱性电池工作。
- 打开电池盖以安装或取出电池。
- 随附的电池为非可充电电池。不可对非可充电电池进行充电。
- 若使用可充电电池，电池充电前须将其从产品中取出。
- 安装电池时需确保极性正确。
- 电池电量耗尽后，应将其从产品中取出并安全地弃置。
- 若长期不使用本产品，应将电池取出。
- 产品的正负极之间不可短路。

电磁场 (EMF)

本飞利浦产品符合所有有关暴露于电磁场的适用标准和法规。

环保

弃置产品时，请不要将其与一般生活垃圾堆放在一起；应将其交给官方指定的回收中心。这样做有利于环保。



2 简介

飞利浦全新上市的负离子造型梳能够随时随地保持您的秀发顺滑柔亮，同时带来出色的使用体验。

• 负离子养护

该负离子梳内置离子发生器，可以产生负离子，中和静电的正电荷。有助于减少静电带来的毛躁，即时重现顺滑柔亮的秀发。

• 圆润梳齿

所有梳齿尖端均采用圆润光滑无缝连接，避免在使用过程伤害头皮或拉扯头发。特殊球形顶端具有更大的接触面，更轻柔地呵护脆弱的头皮。

Service GUARANTEE

This guarantee card is valid in China
The USER
此原用卡在中国适用，用户请保留此卡。



PHILIPS

保修及服务：

此产品是一件设计精良，用高品质元件制造之家用电器，在正常使用及保养下应能发挥其优越性能。在购买日期后两年内，若发生任何因制造工艺或元件造成之损坏，飞利浦中国维修服务中心将为持证用户提供免费上门服务，视情况更换零件或整个产品。

无论在保期中或保期后，只要飞利浦正式行销该产品的任何国家皆可获得维修服务。若飞利浦在当地无行销该产品，飞利浦同样提供维修服务，但可能因未储备所需零件，维修时间可能较长，敬请谅解。请联络当地飞利浦经销商，或飞利浦服务中心，或向飞利浦服务热线咨询。

若您需查询相关资讯，或遇到困难事项时，请联络当地飞利浦维修服务中心，或向飞利浦服务热线咨询。

中国顾客服务热线：4008 800 008（用户需承担本地通话费）。
网址：<http://www.philips.com.cn>

保修条例：

- 在购买日期后两年内，凡经本公司特约维修站人员确认为正常使用情况下，因制造工艺或元件造成之损坏，您都将获得免费维修服务。
- 此免费服务不包括需时常更换的易耗零配件（吸尘机纸袋，布袋，空气清新机滤网，滤芯，活性炭，咖啡壶过滤网）及附件（如须刀网膜、刀头，咖啡杯，食品加工机杯/刀具等），辅助装置，运输费及维修人员上门服务费。
- 用户请保留此证及发票正本。
- 维修时请携同此证及发票正本。
- 此证若经涂改即作废。
- 此证须连同发回作废。
- 以下情况将无法获得免费维修服务

1. 使用不当引起的人为损坏，例如接入不当配件、使用不当配件、不当之安装、不依说明书使用、错误使用或疏忽而造成损坏等。因运输及其他意外而造成之损坏。非经本公司认可之维修和改装。其他因不可抗力（如自然灾害、电压异常等等）造成的损坏。

2. 一般家庭以外使用（如工业、商业用）而造成的损坏，但不影响产品的正常使用。

3. 正常使用引起的产品老化、磨损等，并不影响产品的正常使用。

此证仅在有效期内有效。

• 保修证作为在规定的期限及条件之内进行免费维修的保证，并不限制消费者的法定权利。

网上会员注册与产品注册：

- 1) 登陆 <http://www.philips.com.cn/welcome>
- 2) 点击“创建新账户”，创建您的飞利浦账号
- 3) 点击“注册产品”，通过产品名称或产品型号查找产品，完成产品注册

服务须知：

SERVICE INFORMATION:

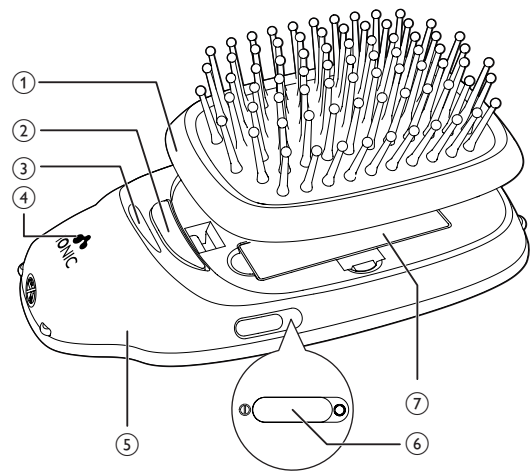
For after-sales and maintenance service, please call service hot line 4008 800 008.
Any comments and enquiries during the service, please contact our Philips Consumer Lifestyle Customer Care Service Office.

Philips(China)Investment Co.,Ltd.
Philips Consumer Lifestyle
Philips Innovation Campus Shanghai NO.1 Building,
NO.10, Lane 888
Tian Lin Road Shanghai, P. R. C. 200233
Fax: +86 21 5445 2663

如需要此产品的售后服务，
请拨打服务热线：4008 800 008
如在维修服务过程中有任何意见，
欢迎致函飞利浦优质服务办事处解决疑难。

飞利浦（中国）投资有限公司
飞利浦优质服务客户服务中心
中国上海市田林路888弄10号
飞利浦创新科技园1号楼
邮政编码：200233 传真：(021) 5445 2663

4222.005.0422.1



简体中文

- ① 梳齿垫
- ② 梳齿垫释放钮
- ③ 负离子排出口
- ④ 启动指示灯
- ⑤ 梳体
- ⑥ 电源开关
- ⑦ 电池仓

• 3D充气齿垫

经过优化设计的梳齿垫能够获得更好地分散作用力，自然跟随头部轮廓，用起来更方便舒适。

• 人性化的梳体设计

根据人体工程学设计的弧面背壳能很好的贴合女士的手形，确保出色的握持体验。

• 可拆卸梳齿垫

梳齿垫可轻松拆卸，便于经常用水清洁，令梳齿始终洁净如新。

3 使用负离子造型梳

安装和拆卸梳齿垫

- 1 (图 C) 要拆下梳齿垫 (①)，请按释放钮 (②) 将其拆下。
- 2 (图 E) 要安装梳齿垫 (①)，请将其向下按入梳体，安装正确时会听到“咔哒”一声。

安装和拆卸电池

负离子造型梳使用一节 1.5 伏 AAA 碱性电池工作。(图 D) (随产品附赠)

- 1 取下电池仓盖。
- 2 将电池装入电池仓或从电池仓中取出。
- 3 将电池仓盖按回产品上 (可听到“咔哒”一声)。

注意

- 确保电池的 + 和 - 极方向正确。
- 装入电池之时，双手要保持干燥。
- 为了防止因电池漏液而引起的损坏。如果超过一个月不使用本产品，请取出电池。
- 请勿将电量耗尽的电池留在产品中。

梳理头发 (图 B)

- 1 将电源开关 (⑥) 滑动至 I，开启负离子造型梳。
 - ↳ 电源指示灯 (④) 将亮起。
 - ↳ 产品通电后，会自动且持续地释放负离子，令秀发更加顺滑、柔亮。
 - ↳ 可能会听到滋滋声。这通常是由负离子发生器引起的。
- 2 从发根向发梢轻柔梳理头发。重复该步骤数次，会令秀发更顺滑。
- 3 将开关滑至 O 以关闭产品。
 - ↳ 可能会听到滋滋声。这是由于负离子释放不完全引起的。

使用后：

- 1 您可用湿布清洁梳体 (⑤)。
- 2 要清洁梳齿垫 (①)：
 - 用手指清理造型梳上的灰尘或毛发。
 - 将梳齿垫从梳体上卸下，在水龙头下冲洗 (图 F)。

注意

- 确保梳齿垫完全干燥后再装回梳体。
- 请勿使用腐蚀性液体清洁梳齿垫，否则可能会损坏产品。必要时建议使用家用清洁剂清洁梳齿垫。

- 3 将产品存放在安全、干燥的地方或放入化妆包中，便于随时随地使用。

提示和诀窍

- 1 负离子美发梳在头发微湿时效果更佳。
- 2 如果您想要在洗发后使用该美发梳，请将头发吹至 7 成干。请不要过度吹干头发，这样会影响效果。
- 3 从发根缓慢重复地梳理头发，直至头发顺滑。梳发时间因头发类型和长度而异。
- 4 在以下情况下不容易看到效果：
 - 头发较短或自然卷

- 头发容易卷曲
- 发质太干或已受损
- 在 3 到 4 个月内拉直过卷发
- 有一些新长出来的短发

- 5 梳发后在头发上使用头发免洗护发素以达到最佳效果。

4 保修与服务

如果您需要了解信息 (如更换附件的相关信息) 或有任何疑问，请访问飞利浦网站 www.philips.com。您也可以与您所在地的飞利浦客户服务中心联系 (可从保修卡中找到其电话号码)。如果您所在的国家/地区没有 Philips 客户服务中心，请向当地的 Philips 经销商求助。

此齿梳有三个月的质保期。如需更换齿梳，可向飞利浦客户服务中心咨询。

5 故障排除

问题	原因	解决方法
产品无法工作。	电池电量已耗尽。	更换电池。
	您未将电池正确放入电池仓。	按照电池仓中的 + 和 - 指示将电池装入电池仓。
	电池仓盖安装不正确。	将电池仓盖按回产品上 (可听到“咔哒”一声)。
负离子指示灯不亮	电池安装不正确。	检查是否以正确极性装入电池。
	电池电量几乎耗尽。	换用新电池。

保留备用

出版日期：2015-04-08

PHILIPS

产品：飞利浦负离子造型梳
型号：HP4596
额定电压：1.5V \equiv
额定电流：150 mA
生产日期：请见产品本体
产地：中国广东广州

飞利浦（中国）投资有限公司
上海市天目西路218号1602-1605
全国顾客服务热线：4008 800 008

本产品根据国标GB4706.1-2005，
GB4706.15-2008制造

PHILIPS

产品：飞利浦负离子造型梳
型号：HP4596
额定电压：1.5V \equiv
额定电流：150 mA
生产日期：请见产品本体
产地：中国广东广州

飞利浦（中国）投资有限公司
上海市天目西路218号1602-1605
全国顾客服务热线：4008 800 008

本产品根据国标GB4706.1-2005，
GB4706.15-2008制造