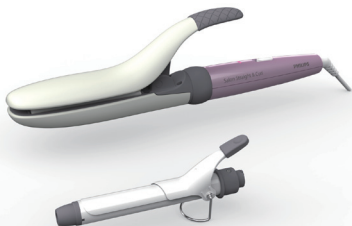


Register your product and get support at  
[www.philips.com/welcome](http://www.philips.com/welcome)

HP4618



---

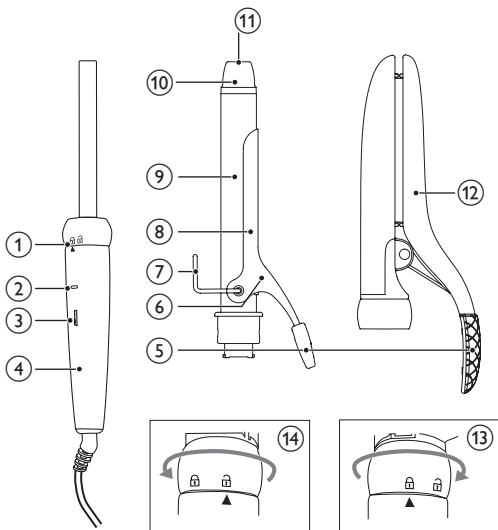
EN      User manual

---

ZH-CN 用户手册

---

**PHILIPS**



## 1 Important

Read this user manual carefully before you use the appliance and keep it for future reference.

- This appliance can be used by children aged from 8 years and above and persons with reduced physical, sensory or mental capabilities or lack of experience and knowledge if they have been given supervision or instruction concerning use of the

appliance in a safe way and understand the hazards involved. Children shall not play with the appliance. Cleaning and user maintenance shall not be made by children without supervision.

- WARNING: Do not use this appliance near water.
- When the appliance is used in a bathroom, unplug it after use since the proximity of water presents a risk, even when the appliance is switched off.

• **WARNING:** Do not use this appliance near bathtubs, showers, basins



# or other vessels containing water.

- Before you connect the appliance, ensure that the voltage indicated on the appliance corresponds to the local power voltage.
  - Do not use the appliance for any other purpose than described in this manual.
  - Only use the appliance on dry hair. Do not use the appliance on artificial hair.
  - When the appliance is connected to the power, never leave it unattended.
  - Always unplug the appliance after use.
  - When the appliance is hot, keep it on a heat-resistant surface and never cover the appliance with anything, such as a towel or clothing.
  - Never use any accessories or parts from other manufacturers or that Philips does not specifically recommend. If you use such accessories or parts, your guarantee becomes invalid.
  - Keep the hot surfaces of the appliance away from your skin.
  - Do not wind the mains cord round the appliance.
  - If you use the appliance on color-treated hair, the straightening plates/curling tongs may stain.
- If the mains cord is damaged, you must have it replaced by Philips, a service centre authorised

by Philips or similarly qualified persons in order to avoid a hazard.

- This appliance is not intended for use by persons (including children) with reduced physical, sensory or mental capabilities, or lack of experience and knowledge, unless they have been given supervision or instruction concerning use of the appliance by a person responsible for their safety.

- Children should be supervised to ensure that they do not play with the appliance.
- For additional protection, we advise you to install a residual current device (RCD) in the electrical circuit that supplies the bathroom. This RCD must have a rated residual operating current not higher than 30mA. Ask your installer for advice.

---

## Electromagnetic fields (EMF)

This appliance complies with all standards regarding electromagnetic fields (EMF). If handled properly and according to the instructions in this user manual, the appliance is safe to use based on scientific evidence available today.

---

## Environment

Do not throw away the appliance with the normal household waste at the end of its life, but hand it in an official collection point for recycling. By doing this, you help to preserve the environment.



## 2 Style your hair

**Note:** Do not change the attachments or styler when the appliance is heating up or when it is hot. Let the appliance heat up for 5-15 minutes for a perfect straightening result. Do not pull at the curler when you unwind the section, otherwise you would straighten the curl.

Select a suitable attachment and styler for the hairstyle you want.

---

Hairstyle	Attachment and Styler
Large curls	Large curling attachment (11)
Ringlets	Large curling attachment (11)
Crimps	Crimping/straightening attachment (12)
Straight sleek style and flicks	Crimping/straightening attachment (12)

---



## Before you style your hair:

- 1 Slide a suitable attachment onto the handle (④) and turn the ring (①) to lock it (⑬).
  - To disconnect the attachment, unlock it (⑭) and pull it off.
- 2 Slide a suitable styler or crimping/straightening plates onto the attachment.
- 3 Place the appliance with the support (⑥) outwards on a heat-resistant surface.
- 4 Connect the plug to a power supply socket.
- 5 Slide the on/off switch (③) to I to switch on the appliance.
  - ↳ The power-on indicator (②) lights up.
  - ↳ When the appliance is ready for use, the ready indicator (⑦) changes color from red to dark.
- 6 Comb your hair and divide your hair into small sections that are not wider than 5-6cm.
- 7 Move the support (⑥) backwards.

## Create curls or ringlets

- 1 Press the lever (⑤) to open the clip (⑧) and place a section of hair between the clip and barrel (⑨).
- 2 Release the lever and slide the barrel to the hair tip.
- 3 Hold the cool tip (⑩) and the handle, and then wind the section of hair round the barrel from end to root.
- 4 Hold the barrel in the position for max. 15 seconds, and then unwind the section of hair until you can open the clip again with the lever or until you can remove the spiral from your hair.
- 5 To style the rest of your hair, repeat steps 1 to 4.

## Create crimps

- 1 Press the lever (⑤) to open the attachment and place a section of hair between the crimping plates. Start crimping at the roots.

- 2 Release the lever and keep the plates together for 5 to 10 seconds.
- 3 Press the lever to open the attachment and place a lower area of the same section of hair between the plates. Make sure there is an overlap.
- 4 Repeat this process until you have reached the hair tip.
- 5 To style the rest of your hair, repeat steps 1 to 4.

### **Create straight sleek style and flicks**

- 1 Press the lever (5) to open the attachment and place a section of hair between the straightening plates.
- 2 Slide the styler down the length of the hair in a single motion (max. 5 seconds) from root to end, without stopping to prevent overheating.
  - To create the desired type of flick, turn the styler half-circle inwards (or outwards) when it reaches the last 3-5 cm of the hair tip. Hold the styler in that position for 2 to 3 seconds, and then release it.
- 3 After 20 seconds, repeat step 2 until you achieve the desired look.
- 4 To style the rest of your hair, repeat steps 1 to 3.

### **After use:**

- 1 Switch off the appliance and unplug it.
- 2 Place it on a heat-resistant surface until it cools down.
- 3 Remove hairs and dust from the appliance and attachments.
- 4 Clean the appliance, straightening plates, and curling tongs by damp cloth.
- 5 Keep the appliance in a safe and dry place, free of dust. You can also store the appliance in the supplied storage pouch.

### 3 Guarantee and service

If you need information e.g. about replacement of an attachment or if you have a problem, please visit the Philips website at [www.philips.com](http://www.philips.com) or contact the Philips Customer Care Centre in your country (you find its phone number in the worldwide guarantee leaflet). If there is no Consumer Care Centre in your country, go to your local Philips dealer.

## 1 重要信息

使用产品之前，请仔细阅读本用户手册，并妥善保管以供日后参考。

- 本产品适合由 8 岁或以上年龄的儿童以及肢体不健全、感觉或精神上有障碍或缺乏相关经验和知识的人士使用，但前提是有人对他们使用本产品进行监督和指导，以确保他们安全使用，并且让他们明白相关的危害。不得让儿童玩耍本产品。不要让儿童在无人监督的情况下进行清洁和保养。
- 警告符号注释：禁止在洗澡或淋浴时使用。
- 本产品在内浴室使用时，使用后拔下插头，因为即使本产品开关断开后，接近水仍存在危险。
- 警告：不要在盛水的浴缸、淋浴、洗脸盆或其他器皿附近使用本器具。
- 连接产品之前，请确保产品上标示的电压与当地电源电压相符。
- 请勿将本产品用于本手册中说明以外的任何其它用途。
- 产品只能用于干的头发。请勿对假发使用本产品。
- 当产品连接了电源时，切勿让其无人看管。
- 使用后务必拔下产品的插头。
- 如果产品很热，请将其放在耐热表面上，切勿在产品表面覆盖任何物品（如毛巾或衣服）。
- 切勿使用由其它制造商生产的，或未经飞利浦特别推荐的任何附件或部件。如果使用此类附件或部件，您的保修将失效。
- 避免产品的高温表面接触到皮肤。
- 切勿将电源线缠绕在产品上。
- 当本产品用于染过色的头发时，直发夹板/卷发钳可能会染上颜色。



- 如果电源线损坏，为避免危险，必须由飞利浦、飞利浦授权的服务中心或类似的专职人员来更换。
- 本产品不打算由肢体不健全、感觉或精神上有障碍或缺乏相关经验和知识的人（包括儿童）使用，除非有负责他们安全的人对他们使用本产品进行监督或指导。
- 应照看好儿童，确保他们不玩耍本产品。
- 为了增加保护，建议在浴室供电的电气回路中安装一个额定剩余工作电流不超过 30mA 的剩余电流装置 (RCD)。向 RCD 安装商咨询。

---

## 电磁场 (EMF)

本产品符合与电磁场 (EMF) 相关的所有标准。目前的科学依据证明，如果正确使用并根据本用户手册中的说明进行操作，则本产品是安全的。

---

## 环境

弃置产品时，请不要将其与一般生活垃圾堆放在一起；应将其交给官方指定的回收中心。这样做有利于环保。



## 2 塑造发型

注意：当产品正在加热或已经很热时，请勿更换附件或造型器。让产品加热 5-15 分钟，以塑造完美的直发效果。解开发络时

不要拉卷发器，否则可能将卷发拉直。  
为所需发型选择合适的附件和造型器。

发型	附件和造型器
大卷	大号卷发附件 (11)
长发卷	大号卷发附件 (11)
铁板烫发	铁板烫发/直发附件 (12)
顺滑直发和发梢造型	铁板烫发/直发附件 (12)

在塑造发型之前：

- 1 将合适的附件滑到手柄上 (4)，然后旋转闭锁环 (1) 以将其锁定 (13)。
  - 要卸下附件，请先将其解锁 (14)，然后再拔下。
- 2 将合适的造型器或铁板烫发/直发板滑到附件上。
- 3 将产品放在耐热表面上，使支架 (6) 朝外。
- 4 将插头连接至电源插座。
- 5 将电源开/关 (3) 滑至 I 以打开产品。
  - ↳ 电源指示灯 (2) 将亮起。
  - ↳ 当产品可供使用时，就绪指示灯 (7) 的颜色将从红色变为暗色。
- 6 梳理头发，将头发分成宽度不超过 5-6 厘米的数络。
- 7 向后移动支架 (6)。

## 制作卷发或长发卷

- 1 按下控制杆 (⑤) 打开发夹 (⑧)，然后将一绺头发放在发夹和发桶 (⑨) 之间。
- 2 松开控制杆，将发桶滑向发梢。
- 3 握住不烫手尖端 (⑩) 和手柄，然后将一绺头发从发梢至发根缠绕在发桶上。
- 4 将发桶保持在该位置最多 15 秒钟，然后解开发绺，直到可通过控制杆再次打开发夹或将盘卷从头发上取下。
- 5 要为其余头发造型，请重复步骤 1 至 4。

## 制作波纹卷

- 1 按下控制杆 (⑤) 打开附件，然后将一绺头发放在卷发夹板之间。从发根开始卷发。
- 2 放开控制杆，使夹板闭合 5 至 10 秒钟。
- 3 按下控制杆打开附件，然后将同一绺头发的下面一段放在夹板之间。确保两段之间有一点重叠。
- 4 重复此过程直至到达发梢。
- 5 要为其余头发造型，请重复步骤 1 至 4。

## 制作直发和发梢造型

- 1 按下控制杆 (⑤) 打开附件，然后将一绺头发放在直发夹板之间。
- 2 从发根至发梢，将造型器顺着头发往下滑（不要超过 5 秒钟），动作要流畅，不要停顿，以免过热灼伤头发。
  - 要制作所需的发梢造型，当造型器到达发梢最后 3-5 厘米时，将其向内（或向外）旋转半圈。将造型器保持该位置 2 至 3 秒钟，然后松开。
- 3 20 秒钟后，重复步骤 2 直至获得所需的造型。
- 4 要为其余头发造型，请重复步骤 1 至 3。

使用后：

- 1 关闭产品并拔下电源插头。
- 2 将产品置于隔热表面上，直至其冷却。
- 3 清除产品和附件上的毛发和灰尘。
- 4 用湿布清洁产品、直发夹板和卷发钳。
- 5 将产品存放在安全、干燥、清洁的位置。您还可以将产品存放在提供的存储袋中。

## 3 保修与服务

如果您需要了解信息（如更换附件的相关信息）或有任何疑问，请访问飞利浦网站 [www.philips.com](http://www.philips.com)。您也可以与您所在地的飞利浦客户服务中心联系（可从保修卡中找到其电话号码）。如果您所在的国家/地区没有 Philips 客户服务中心，请向当地的 Philips 经销商求助。



# PHILIPS

产品 : 飞利浦多功能美发造型器  
型号 : HP4618  
额定电压 : 220V~  
额定频率 : 50Hz  
额定输入功率 : 25W  
生产日期 : 请见产品本体  
产地 : 中国



珠海经济特区飞利浦家庭电器有限公司  
中国珠海市三灶镇琴石工业区  
邮政编码: 519040  
全国顾客服务热线: 4008 800 008

本产品根据国标 GB4706.1-2005, GB4706.15-2008, GB4343.1-2009及GB17625.1-2003 制造



All registered and unregistered trademarks are property of their respective owners.

© 2012 Koninklijke Philips Electronics N.V.

All rights reserved.

3140 035 29852

