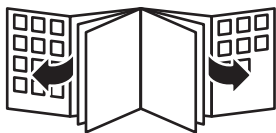


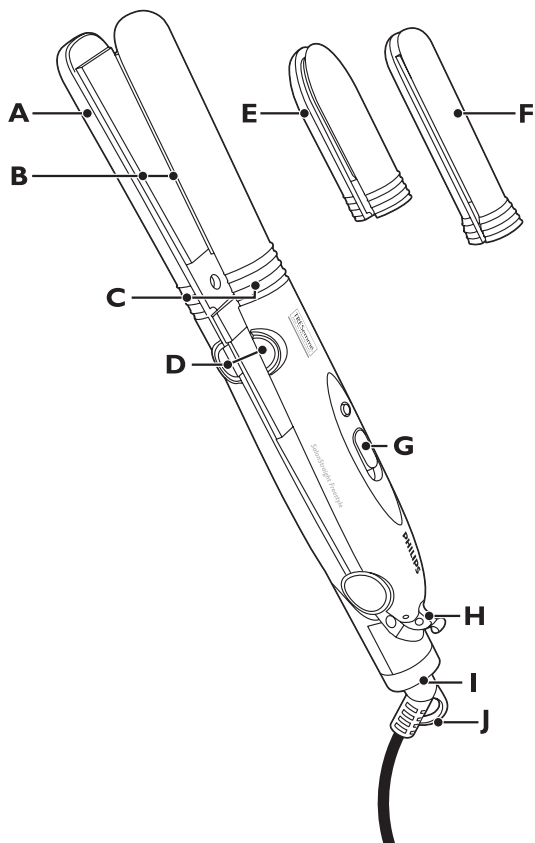
Register your product and get support at
www.philips.com/welcome

HP4681



PHILIPS





ENGLISH 6

한국어 14

ภาษาไทย 22

TIẾNG VIỆT 28

繁體中文 36

简体中文 43

Introduction

The new Philips SalonStraight Freestyle helps you style your hair in any way you want, for every haircut. The ceramic-coated plates ensure ultra-smooth gliding through the hair, allowing you to style at high temperatures in a quick and caring way.

General description (Fig. 1)

- A** Straightening attachment
- B** Ceramic-coated plates
- C** Cool grip area
- D** Release buttons
- E** Attachment for creating volume in layered stylers
- F** Attachment for twist & flicks
- G** On/off switch with power-on light
- H** Easy-lock system
- I** Swivel cord

Important

Read this user manual carefully before you use the appliance and save it for future reference.

Danger

- Keep the appliance away from water. Do not use it near or over water contained in baths, washbasins, sinks etc. When you use the appliance in a bathroom, unplug it after use. The proximity of water presents a risk, even when the appliance is switched off.

Warning

- Check if the voltage indicated on the appliance corresponds to the local mains voltage before you connect the appliance.
- Check the condition of the mains cord regularly. Do not use the appliance if the plug, the mains cord or the appliance itself is damaged.
- If the mains cord is damaged, you must have it replaced by Philips, a service centre authorised by Philips or similarly qualified persons in order to avoid a hazard.

- This appliance is not intended for use by persons (including children) with reduced physical, sensory or mental capabilities, or lack of experience and knowledge, unless they have been given supervision or instruction concerning use of the appliance by a person responsible for their safety.
- Children should be supervised to ensure that they do not play with the appliance.
- Keep the appliance away from non-heat-resistant surfaces and never cover the appliance with anything (e.g. a towel or clothing) when it is hot.
- Keep the appliance away from flammable items.
- Always return the appliance to a service centre authorised by Philips for examination or repair. Repair by unqualified people could cause an extremely hazardous situation for the user.

Caution

- For additional protection, we advise you to install a residual current device (RCD) in the electrical circuit that supplies the bathroom. This RCD must have a rated residual operating current not higher than 30mA. Ask your installer for advice.
- The plates and the plastic parts near the plates become hot during use. Prevent the hot surfaces of the appliance from coming into contact with your skin.
- Only use the appliance on dry or damp hair.
- Do not use the appliance on artificial hair.
- Do not leave the plates in your hair for more than a few seconds at a time as this may cause damage to your hair.
- For safety reasons, the straightener automatically switches off after having been on for 1 hour.
- Always unplug the appliance after use.
- Do not wind the mains cord round the appliance.
- Wait until the appliance has cooled down before you store it.
- Keep the plates clean and free of dust, dirt and styling products such as mousse, spray and gel. Never use the appliance in combination with styling products.
- The plates have a ceramic coating. This coating slowly wears away over time. This does not affect the performance of the appliance.

8 ENGLISH

- If you use the appliance on colour-treated hair, the plates may stain.
- The maximum temperature occurs just after heating up. The actual temperature during use may be lower.

Electromagnetic fields (EMF)

This Philips appliance complies with all standards regarding electromagnetic fields (EMF). If handled properly and according to the instructions in this user manual, the appliance is safe to use based on scientific evidence available today.

Preparing for use

Washing

The styler gives the best results on well-washed hair. We advise you to follow the washing tips below.

- 1** Wet your hair thoroughly for 30-60 seconds.
- 2** Pour some shampoo into the palm of your hand. Spread it between your hands and distribute it evenly through the hair.
- 3** Gently massage your hair and scalp. Do not rough up the hair or pull up long hair onto the scalp, as this may cause tangles.
- 4** Massage your scalp with your fingertips. This stimulates blood circulation and is gentler to the hair cuticles.
- 5** Rinse your hair thoroughly, as poor rinsing can result in dull hair. Finish with a cold rinse for extra shine.

Drying

To get professional styling results, it is essential to prepare your hair for styling. Dry your hair properly with a hairdryer to ensure a professional, smooth finish.

- 1** After washing, squeeze excess water out of the hair with your hands and then towel-dry the hair. Use a comb to disentangle hair gently from the roots to the tips.
- 2** Divide the hair into sections using clips. Start at the back.

- 3 To dry each section, pull a straightening brush down the hair length. Follow the brush with the hairdryer, with its nozzle pointing towards the hair ends.
- 4 When you have finished drying each section, set the hairdryer to the cool setting for a final cool shot. This closes the cuticles and adds shine to the hair.

Tip: Philips Salon Pro hairdryers have a lower drying temperature and a stronger airflow than regular dryers. Thanks to this combination, they dry just as quickly as regular hairdryers but in a gentler way.

Using the appliance

Styling your hair

Heat stylers are powerful styling tools and must always be used with care.

As with all heat stylers that reach salon high temperatures, do not use the appliance frequently to avoid damage to the hair. If you use the heat styler incorrectly, you could overheat your hair or even burn it. Always follow the steps below.

- 1 Put the mains plug in the wall socket.
- 2 Pull the lock upwards to unlock the appliance if it is locked (Fig. 2).
- 3 Push the on/off slide upwards to switch on the appliance.
 - ▶ The power-on light goes on.
 - ▶ The appliance starts to heat up. The appliance is ready for use within 90 seconds.
- 4 Comb or brush your hair so that it is disentangled and smooth.
- 5 Use a comb to divide the hair into sections. Do not put too much hair in one section (Fig. 3).

Tip: It is better to section off the crown area and to straighten the hair underneath first, followed by the top area.

Styling with the straightening attachment

- 1** Take a section that is 3-4cm wide. Place it between the straightening plates and press the handles of the appliance firmly together.
- 2** Slide the straightener down the length of the hair for 5 seconds, from root to hair end, without stopping to prevent overheating (Fig. 4).
- 3** Repeat this process after 20 seconds until you have achieved the desired look.
- 4** Let your hair cool down. Do not comb or brush it before it has cooled down, as this would ruin the hairstyle you have just created.

Styling with the attachment for twists and flicks

- 1** Decide if you want to create inward or outward flicks. Hold the appliance in such a way that the curved plates will create the desired type of flick.
- 2** Take a section that is approximately 3-4cm wide.
- 3** Place lock between the plates approx. 3-5cm above the hair ends and press the handles of the appliance firmly together.
- 4** Slide the styler gently down the length of the hair in a few seconds. When the plates are 3-5cm above the end of the lock, slightly twist the appliance in the direction of the desired flicks to get an optimal effect. Don't stop while you slide the styler down the lock to prevent overheating (Fig. 5).
- 5** Repeat this process after 20 seconds until you have achieved the desired look.
- 6** Let the hair cool down. Do not comb or brush it before it has cooled down, as this would ruin the hairstyle you have just created.

Styling with the attachment for creating volume in layered styles

- 1 Take a section that is 2-3cm wide. If you have a layered style, make sure the section consists of hair of the same length and layer.
- 2 Place the hair between the plates in such a way that the tip of the attachment is close to the hair roots.

Make sure you do not touch your scalp with the tip of the attachment to prevent burning your skin.

- 3 Press the handles of the appliance firmly together.
- 4 Slide the styler gently down the length of the hair in a few seconds, from root to hair end, without stopping to prevent overheating.
- 5 Repeat this process after 20 seconds until you have achieved the desired look.
- 6 Let your hair to cool down. Do not comb or brush it before it has cooled down, as this would ruin the hairstyle you have just created.

Changing the attachments

- 1 Switch off the appliance.
- 2 Wait until the appliance has slightly cooled down.
- 3 Press the release button at the top of each handle (Fig. 6).

Note: You have to release both attachment parts separately

- 4 Grasp the cool grip area with two fingers and gently pull the attachment parts out of the handles.

The attachment parts can still be hot. Always make sure you put them on a heat-resistant surface.

- 5 Insert the parts of the attachment you want to use into the handles and push them home ('click').

Cleaning

- 1 Make sure the appliance is switched off and unplugged.
- 2 Let the appliance cool down completely on a heat-resistant surface.
- 3 Clean the appliance with a damp cloth.

Storage

Never wind the mains cord round the appliance.

- 1 Make sure the appliance is switched off and unplugged.
- 2 Let the appliance cool down on a heat-resistant surface before you store it.
- 3 To lock the plates, grab the handle and turn the easy-lock system clockwise (Fig. 7).

Environment

- Do not throw away the appliance with the normal household waste at the end of its life, but hand it in at an official collection point for recycling. By doing this, you help to preserve the environment (Fig. 8).

Guarantee & service

If you need information or if you have a problem, please visit the Philips website at www.philips.com or contact the Philips Customer Care Centre in your country (you find its phone number in the worldwide guarantee leaflet). If there is no Customer Care Centre in your country, go to your local Philips dealer or contact the Service Department of Philips Domestic Appliances and Personal Care BV.

Troubleshooting

If problems arise with your styler and you cannot solve them with the information below, please contact the nearest Philips service centre or the Philips Customer Care Centre in your country.

Problem	Possible cause	Solution
The appliance does not work at all.	There is a power failure or the socket is not live.	Check if the power supply works. If it does, plug in another appliance to check whether the socket is live.
	The mains cord is damaged.	If the mains cord is damaged, you must have it replaced by Philips, a service centre authorised by Philips or similarly qualified persons in order to avoid a hazard.

제품 소개

신제품 필립스 살롱스트레이트 프리스타일을 사용하여 모든 길이의 모발에 원하는 스타일을 연출할 수 있습니다. 세라믹 코팅 열판은 모발의 부드러운 움직임을 도우며, 높은 온도에서도 빠르고 안전하게 스타일링할 수 있습니다.

각 부의 명칭 (그림 1)

- A** 스트레이트너
- B** 세라믹 코팅 열판
- C** 전열 방지 손잡이
- D** 열림 버튼
- E** 레이어드 스타일을 위한 볼륨용 액세서리
- F** 트위스트 및 세련된 웨이브를 위한 액세서리
- G** 전원 표시등이 있는 전원 스위치
- H** 간편한 잠금 시스템
- I** 회전식 코드

중요사항

본 제품을 사용하기 전에 이 사용 설명서를 주의 깊게 읽고 나중에 참조할 수 있도록 잘 보관하십시오.

위험

- 본 제품은 물이 닿지 않는 곳에 보관하십시오. 본 제품을 욕조, 세면대 또는 싱크대와 같이 물 가까이에서 사용하지 마십시오. 욕실에서 사용할 경우 사용 후에는 반드시 전원 플러그를 뽑으십시오. 전원이 꺼져 있더라도 물에 닿으면 위험할 수 있습니다.

경고

- 제품에 전원을 연결하기 전에, 제품에 표시된 전압과 사용 지역의 전압이 일치하는지 확인하십시오.
- 전원 코드를 정기적으로 점검하여 플러그나 전원 코드 또는 제품 자체에 손상이 있으면 제품을 사용하지 마십시오.
- 전원 코드가 손상된 경우, 안전을 위해 필립스 서비스 센터 또는 필립스 서비스 지정점에 의뢰하여 교체하십시오.

- 신체적인 감각 및 정신적인 능력이 떨어지거나 경험과 지식이 풍부하지 않은 사용자(어린이 포함)는 혼자 제품을 사용하지 말고 제품 사용과 관련하여 안전에 책임 질 수 있도록 지시사항을 충분히 숙지한 사람의 도움을 받으십시오.
- 어린이가 제품을 가지고 놀지 못하도록 지도해 주십시오.
- 제품을 열에 약한 표면 위에 놓지 말고 가열된 상태에서 제품에 타월이나 옷 등 어떤 것으로도 덮지 마십시오.
- 제품을 인화 물질에 가까이 하지 마십시오.
- 제품의 검사나 수리가 필요한 경우 반드시 필립스 서비스 지정점에 문의하십시오. 비공인업체에서 수리하는 경우 제품 사용자에게 심각한 상황을 초래할 수 있습니다.

주의

- 추가 안전을 위하여 잔여 전류 소멸 장치(RCD)를 욕실 전원에 설치할 것을 권장합니다. 이 RCD의 정격 잔여 전류는 30mA 이하여야 합니다. 자세한 설치 방법은 전기 설비업체에 문의하십시오.
- 판과 판 주위의 플라스틱 부위는 사용 중에는 뜨거울 수 있습니다. 제품의 뜨거운 표면에 피부가 닿지 않게 주의하십시오.
- 모발이 건조하거나 약간 축축한 상태에서 제품을 사용하십시오.
- 제품을 인조 모발에 사용하지 마십시오.
- 모발에 열판을 지속적으로 수 초 이상 대지 마십시오. 모발이 손상될 수 있습니다.
- 스트레이트너는 안전한 사용을 위해 1시간 사용 후 자동으로 꺼집니다.
- 사용 후 반드시 전원 코드를 뽑으십시오.
- 전원 코드를 제품에 감지 마십시오.
- 제품이 충분히 식은 다음 보관하십시오.
- 열판은 먼지, 이물질 및 무스, 스프레이, 젤 등의 스타일링 제품이 묻지 않은 깨끗한 상태로 유지하십시오. 본 제품 사용 시 스타일링 제품을 함께 사용하지 마십시오.
- 열판은 세라믹으로 코팅되어 있습니다. 시간이 지나면서 코팅이 조금씩 마모되지만 제품 성능에는 영향을 미치지 않습니다.
- 염색한 모발에 제품을 사용하면 열판에 얼룩이 생길 수 있습니다.

16 한국어

- 가열 직후에는 온도가 최대로 올라갑니다. 사용 시 실제 온도는 조금 낮아질 수 있습니다.

EMF(전자기장)

이 필립스 제품은 EMF(전자기장)와 관련된 모든 기준을 준수합니다. 이 사용 설명서의 지침에 따라 적절하게 취급할 경우 이 제품은 안전하게 사용할 수 있으며 이는 현재까지의 과학적 증거에 근거하고 있습니다.

사용 전 준비

머리 감기

머리를 깨끗이 감은 후에 스타일러를 사용해야 최상의 효과를 얻을 수 있습니다. 다음 단계에 따라 머리를 감는 것이 좋습니다.

- 1 30-60초 정도 모발을 충분히 적십니다.
- 2 적당량의 샴푸를 손에 덜어 두 손으로 문지른 후 모발에 고르게 바르십시오.
- 3 머리카락과 두피를 부드럽게 마사지하십시오. 머리카락이 엉키는 것을 막기 위해 머리카락을 헝클거나, 긴 머리카락을 두피 위로 당겨 올리지 마십시오.
- 4 손가락 끝으로 두피를 부드럽게 마사지 하십시오. 이는 혈액 순환을 촉진하며 모발의 큐티클층에 주는 자극을 줄여줍니다.
- 5 모발을 충분히 헹구십시오. 제대로 헹구지 않으면 모발이 푸석거릴 수 있습니다. 마지막으로 찬물로 헹구면 모발에 더욱 윤기가 납니다.

드라이

전문가적인 스타일링을 유지하려면 스타일링 전의 준비 과정이 중요합니다. 먼저 전문적이고 부드러운 마지막 손질을 위해 헤어 드라이어로 머리를 적당히 말리십시오.

- 1 머리를 감은 후 물기를 손으로 짰 다음 마른 수건으로 물기를 제거하십시오. 빗으로 모근부터 모발 끝까지 빗어서 엉킨 머리를 푸십시오.

- 2 머리 핀을 이용하여 머리를 뒤에서부터 여러 부분으로 나누십시오.
- 3 스트레이트용 빗을 머리 아래쪽으로 빗으면서 각 부분을 말리십시오. 이 때 빗은 헤어드라이어를 따라 이동하며, 노즐은 모발 끝 쪽을 향하도록 하십시오.
- 4 각 부분을 말린 후 헤어드라이어를 시원한 바람으로 설정하여 마무리하십시오. 이렇게 하면 큐티클이 닫혀서 윤기를 더해 줍니다.

도움말: 필립스 살롱 프로 헤어드라이어는 다른 일반 드라이어보다 건조 온도는 낮고 바람 세기는 더 강합니다. 따라서 다른 드라이어만큼 빠르지만 더 부드럽게 머리를 말려 줍니다.

제품 사용

헤어 스타일링

가열식 스타일러는 강력한 스타일링 도구이므로 항상 사용에 주의해야 합니다.

높은 온도에 도달하는 다른 모든 가열식 스타일러와 마찬가지로 머리에 손상을 주지 않기 위해 본 제품의 잦은 사용을 피해야 합니다. 가열식 스타일러를 잘못 사용하면 모발이 너무 뜨거워져서 심한 경우에는 타기도 합니다. 항상 다음 단계를 따르십시오.

- 1 전원 플러그를 벽면 콘센트에 꽂으십시오.
- 2 제품이 잠겨있는 경우 위로 향하게 하여 잠금을 푸십시오 (그림 2).
- 3 제품의 전원을 켜려면 전원 슬라이드를 앞으로 미십시오.
 - ▶ 전원 표시등이 켜집니다.
 - ▶ 제품이 가열되기 시작하며 90초 내에 사용할 준비가 됩니다.
- 4 모발을 빗질하여 엉킨 부분을 풀고 부드럽게 하십시오.
- 5 빗을 이용하여 머리카락을 여러 부분으로 나누십시오. 이 때 한 부분에 너무 많은 모발이 모이지 않도록 하십시오 (그림 3).

18 한국어

도움말: 정수리 부분을 여러 부분으로 나눈 후 아래쪽을 먼저 스트레이트한 다음 위쪽을 스트레이트하십시오.

스트레이트너를 사용한 스타일링

- 1 각 부분의 폭을 3-4cm 정도가 되도록 나눕니다. 모발을 스트레이트 열판 사이에 넣고 제품의 핸들을 힘을 주어 잡습니다.
- 2 5초 동안 스트레이트너를 위에서부터 끝까지 미끄러지듯 내리십시오. 모발이 너무 뜨거워질 수 있으므로 내리는 중에 멈추지 마십시오 (그림 4).
- 3 20초 후에 다시 이 과정을 반복하여 원하는 스타일이 완성될 때까지 스트레이트하십시오.
- 4 모발의 열기가 식을 때까지 그대로 두십시오. 충분히 식기 전에 빗질을 하면 스트레이트한 헤어스타일이 망가질 수 있습니다.

트위스트 및 세련된 웨이브를 위한 액세서리를 사용한 스타일링

- 1 안쪽 또는 바깥쪽 웨이브 중 선택하십시오. 제품을 원하는 방향으로 잡고 열판을 구부리면 원하는 웨이브가 만들어집니다.
- 2 각 부분의 폭을 3-4cm 정도가 되도록 나누십시오.
- 3 모발을 열판 사이에 놓고 모발 끝의 3-5cm 위까지 내리며 손잡이를 강하게 누르십시오.
- 4 수 초 동안 스타일러를 위에서부터 끝까지 미끄러지듯 내리십시오. 열판이 머리 끝단의 3-5cm 위에 있을 때 제품을 원하는 방향으로 살짝 구부리면 최상의 효과를 얻을 수 있습니다. 스타일러를 내릴 때에는 중간에 멈추지 마십시오. 모발이 과열될 수 있습니다 (그림 5).
- 5 20초 후에 다시 이 과정을 반복하여 원하는 스타일이 완성될 때까지 스트레이트하십시오.

- 6** 모발의 열기가 식을 때까지 그대로 두십시오. 충분히 식기 전에 빗질을 하면 스트레이트한 헤어스타일이 망가질 수 있습니다.

레이어드 스타일 볼륨용 액세서리를 사용한 스타일링

- 1** 각 부분의 폭을 2-3cm 정도가 되도록 나누십시오. 레이어드 스타일인 경우 각 부분의 길이와 층이 일정한지 확인하십시오.

- 2** 제품이 뿌리에 가깝도록 열판 사이에 모발을 놓으십시오. 열판 끝이 두피에 닿지 않도록 주의하십시오. 화상을 입을 수 있습니다.

- 3** 제품 핸들을 힘을 주어 잡으십시오.

- 4** 수 초 동안 스타일러를 위에서부터 끝까지 미끄러지듯 내리십시오. 모발이 너무 뜨거워지지 않도록 내리는 중에 멈추지 마십시오.

- 5** 20초 후에 다시 이 과정을 반복하여 원하는 스타일이 완성될 때까지 스트레이트하십시오.

- 6** 모발의 열기가 식을 때까지 그대로 두십시오. 충분히 식기 전에 빗질을 하면 스트레이트한 헤어스타일이 망가질 수 있습니다.

액세서리 교환

- 1** 제품 전원을 끄십시오.

- 2** 제품의 열기가 식을 때까지 기다리십시오.

- 3** 각 손잡이 끝의 열림 버튼을 누르십시오 (그림 6).

참고: 두 액세서리 부분을 각각 열어야 합니다.

- 4** 전열 방지 손잡이를 두 손가락으로 잡고 액세서리 부분을 천천히 손잡이에서 빼십시오.

액세서리가 아직 뜨거울 수 있습니다. 항상 열에 강한 표면 위에 올려놓으십시오.

20 한국어

- 5 사용할 액세서리 부품을 손잡이에 끼우고 홈에 맞게 미십시오 (‘딸각’ 소리가 남).

청소

- 1 전원이 꺼져 있고 플러그가 뽑혀 있는지 확인하십시오.
- 2 제품을 열에 강한 표면 위에 올려놓고 완전히 식히십시오.
- 3 제품을 닦을 때에는 젖은 천을 사용하십시오.

보관

전원코드를 제품에 감지 마십시오.

- 1 전원이 꺼져 있고 플러그가 뽑혀 있는지 확인하십시오.
- 2 제품을 열에 강한 표면 위에 올려놓고 충분히 식힌 후 보관하십시오.
- 3 열판을 잠그려면 손잡이를 잡고 간편한 잠금 시스템을 시계 방향으로 돌리십시오 (그림 7).

환경

- ▶ 수명이 다 된 제품은 일반 가정용 쓰레기와 함께 버리지 마시고 지정된 재활용 수거 장소에 버리십시오. 이런 방법으로 환경 보호에 동참하실 수 있습니다 (그림 8).

품질 보증 및 서비스

보다 자세한 정보가 필요하시거나, 사용상의 문제가 있을 경우에는 필립스전자 홈페이지(www.philips.co.kr)를 방문하시거나 필립스 고객 상담실로 문의하십시오. 전국 서비스 센터 안내는 제품 보증서를 참조하십시오. *(주)필립스전자:(02)709-1200 *고객 상담실:(080)600-6600(수신자부담)

문제 해결

스타일러에 문제가 있을 경우에는 아래 정보를 참조하시고, 더 많은 정보를 원하실 경우 가까운 필립스 서비스 센터나 필립스 고객 상담실로 문의하십시오.

문제점	예상 원인	해결책
제품이 전혀 작동하지 않습니다.	전원에 문제가 있거나 콘센트에 전원이 공급되지 않을 수 있습니다.	전원 공급 장치가 작동하는지 확인하십시오. 다른 제품의 플러그를 꽂아 콘센트에서 전원이 공급되는지 확인하십시오.
	전원 코드가 손상되었습니다.	전원 코드가 손상된 경우, 안전을 위해 필립스 서비스 센터 또는 필립스 서비스 지정점에 의뢰하여 교체하십시오.

제조번호 부여기준: 필립스 전자 제품의 제조번호는 모두 4자리로 되어 있습니다. 앞의 두 자리는 연도를 의미합니다. 나머지 뒤의 두 자리는 생산된 주를 의미합니다. 주는 1년을 52주로 나누어 순차적으로 구분합니다.

(예: 0512 → 2005년 12번째 주에 생산
0504 → 2005년 4번째 주에 생산)

บทนำ

The new Philips SalonStraight Freestyle helps you style your hair in any way you want, for every haircut. The ceramic-coated plates ensure ultra-smooth gliding through the hair, allowing you to style at high temperatures in a quick and caring way.

ส่วนประกอบ (รูปที่ 1)

- A** อุปกรณ์ยึดผม
- B** แผ่นความร้อนเคลือบเซรามิก
- C** Cool grip area
- D** ปุ่มปลดล็อก
- E** Attachment for creating volume in layered stylers
- F** Attachment for twist & flicks
- G** ปุ่มเปิด/ปิดพร้อมสัญญาณไฟแสดงการเปิดเครื่อง
- H** ระบบล็อคที่ใช้ง่าย
- I** สายไฟหมุนได้รอบ

ข้อควรจำ

ควรอ่านคู่มืออย่างละเอียดก่อนใช้งานและเก็บไว้เพื่อใช้อ้างอิงในครั้งต่อไป

อันตราย

- ควรเก็บเครื่องให้ห่างจากน้ำ ห้ามใช้เครื่องใกล้หรือเหนือน้ำในห้องน้ำ ในอ่างอาบน้ำ หรืออ่างซิงค์ เมื่อใช้งานในห้องน้ำ ควรถอดปลั๊กไฟออกหลังจากใช้งานเสร็จแล้ว เพราะเครื่องที่อยู่ใกล้กับน้ำอาจก่อให้เกิดอันตรายได้แม้คุณเปิดสวิตช์การทำงานของเครื่องแล้ว

คำเตือน

- ก่อนใช้งานโปรดตรวจสอบแรงดันไฟที่ระบุบนผลิตภัณฑ์ว่าตรงกับแรงดันไฟที่ใช้ภายในบ้านหรือไม่
- ตรวจสอบสายไฟอย่างสม่ำเสมอ ห้ามใช้เครื่องหากปลั๊กไฟ สายไฟหลวม หรือตัวเครื่องชำรุด
- หากสายไฟชำรุด ควรนำไปเปลี่ยนที่บริษัทฟิลิปส์ หรือศูนย์บริการที่ได้รับอนุญาตจากฟิลิปส์ หรือบุคคลที่ผ่านการอบรมจากฟิลิปส์ดำเนินการเปลี่ยนให้ เพื่อหลีกเลี่ยงอันตรายที่อาจเกิดขึ้นได้
- ไม่ควรให้บุคคล (รวมทั้งเด็กเล็ก) ที่มีสภาพร่างกายไม่แข็งแรงหรือสภาพจิตใจไม่ปกติ หรือขาดประสบการณ์และความรู้ความเข้าใจ นำอุปกรณ์นี้ไปใช้งาน เว้นแต่จะอยู่ในการควบคุมดูแลหรือได้รับคำแนะนำในการใช้งานโดยผู้ที่รับผิดชอบในด้านความปลอดภัย
- เด็กเล็กควรได้รับการดูแลเพื่อป้องกันไม่ให้เด็กนำอุปกรณ์นี้ไปเล่น
- เก็บเครื่องนี้ให้ห่างจากพื้นผิวที่ไม่ทนต่อความร้อน และไม่ควรวางสิ่งอื่นใดบนเครื่อง (เช่น ผ้าขนหนูหรือเสื้อผ้า) เมื่อเครื่องมีความร้อน
- เก็บเครื่องให้ห่างจากวัสดุไวไฟ

- ควรนำเครื่องไปตรวจสอบหรือซ่อมตามศูนย์บริการที่ได้รับอนุญาตของฟิลิปส์ทุกครั้ง การซ่อมแซมโดยช่างที่ไม่ได้รับอนุญาตอาจทำให้เกิดอันตรายร้ายแรงต่อผู้ใช้งาน

ข้อควรระวัง

- เพื่อเพิ่มการป้องกัน เราขอแนะนำให้ติดตั้ง Residual current device (RCD) ในระบบไฟภายในห้องอาบน้ำ RCD นี้จะมีกระแสไฟ Residual operating current ไม่เกิน 30mA โปรดสอบถามเจ้าหน้าที่ติดตั้งสำหรับคำแนะนำ
- แผ่นยึดผมและชิ้นส่วนพลาสติกต่างๆ ที่อยู่ใกล้กับแผ่นยึดผมนั้น จะมีความร้อนมากขึ้นในระหว่างที่ใช้งาน ควรระวังไม่ให้พื้นผิวที่ร้อนของเครื่องสัมผัสกับผิวของคุณ
- ใช้กับผมแห้งหรือผมที่ขึ้นเท่านั้น
- ห้ามใช้งานกับเส้นผมที่เปียกน้ำ
- ห้ามหนีบผมค้างไว้นานเกิน 2-3 วินาทีต่อครั้ง เพราะอาจทำให้เส้นผมแห้งเสียได้
- เพื่อความปลอดภัย เครื่องหนีบผมจะทำการปิดเครื่องโดยอัตโนมัติ หากคุณเปิดเครื่องทิ้งไว้นาน 1 ชั่วโมง
- ถอดปลั๊กไฟออกทุกครั้งหลังเลิกใช้งาน
- ห้ามพันสายไฟรอบเครื่อง
- ควรปล่อยให้เครื่องเย็นลงก่อนจัดเก็บ
- ควรให้แผ่นความร้อนสะอาดและปราศจากคราบฝุ่น สิ่งสกปรก รวมทั้งผลิตภัณฑ์จัดแต่งทรงผม เช่น มูส สเปรย์ และเจลแต่งผม ไม่ควรใช้เครื่องพร้อมกับผลิตภัณฑ์จัดแต่งทรงผม
- แผ่นความร้อนมีการเคลือบด้วยเซรามิก สารเคลือบนี้จะร้อนออกอย่างช้าๆ เมื่อเวลาผ่านไป ซึ่งไม่มีผลต่อประสิทธิภาพการทำงานของเครื่อง
- หากใช้งานเครื่องกับผมที่ผ่านการย้อมสี อาจทำให้เกิดรอยด่างที่แผ่นยึดผมได้
- เครื่องหนีบผมจะมีอุณหภูมิสูงสุดหลังจากที่เริ่มร้อนขึ้น ซึ่งในความเป็นจริงอุณหภูมิที่ใช้งานอาจต่ำกว่าที่แสดง

Electromagnetic fields (EMF)

ผลิตภัณฑ์ของฟิลิปส์ ได้มาตรฐานด้านคลื่นแม่เหล็กไฟฟ้า (EMF) หากมีการใช้งานอย่างเหมาะสมและสอดคล้องกับคำแนะนำในคู่มือนี้ คุณสามารถใช้ผลิตภัณฑ์ได้อย่างปลอดภัยตามข้อพิสูจน์ทางวิทยาศาสตร์ในปัจจุบัน

การเตรียมตัวก่อนใช้งาน

การสระผม

เครื่องหนีบผมสามารถใช้งานได้อย่างมีประสิทธิภาพมากที่สุดกับเส้นผมที่สระสะอาดเรียบร้อยแล้ว ดังนั้นเราขอแนะนำให้คุณทำตามเคล็ดลับการสระผมด้านล่างนี้

- 1 ทำให้ผมเปียกน้ำประมาณ 30-60 วินาที
- 2 เทแชมพูลงบนฝ่ามือ ก่อนขมิบให้ทั่วศีรษะ
- 3 นวดเส้นผมและหนังศีรษะเบาๆ ห้ามพันหรือดึงรั้งเส้นผมขึ้นเหนือหนังศีรษะ เพราะอาจทำให้เส้นผมพันกัน

24 ภาษาไทย

- 4 นวดหนังศีรษะด้วยปลายนิ้วเพื่อกระตุ้นการหมุนเวียนของโลหิต และการนวดเบาๆ ยังดีต่อหนังศีรษะด้วย
- 5 ล้างแชมพูออกให้สะอาด หากล้างฟองออกไม่หมด จะทำให้เส้นผมดูหยาบกระด้าง เมื่อล้างผมสะอาดแล้ว คารล้างซ้ำด้วยน้ำเย็นเพื่อให้เส้นผมเงางามยิ่งขึ้น

การเป่าผมแห้ง

เพื่อให้ได้เส้นผมดูเรียบกว่าปกติจำเป็นต้องเตรียมเส้นผมที่จะยัดให้ตรง ควรเป่าผมให้แห้งด้วยเครื่องเป่าเพราะจะช่วยให้ดูเรียบดูจุกทำผมกับมืออาชีพ

- 1 หลังจากสระผมแล้วให้ใช้มือบีบน้ำส่วนเกินออกจากเส้นผม ก่อนซับผมให้แห้งด้วยผ้าขนหนู ค่อยๆ ใช้หวีสางผมที่พันกัน โดยเริ่มจากรากผมสู่ปลายผม
- 2 แบ่งเส้นผมเป็นข้อแล้วหนีบโดยเริ่มต้นที่ด้านหลังก่อน
- 3 เป่าผมแต่ละส่วนให้แห้ง โดยใช้แปรงยึดผมหรือลงตามความยาวของเส้นผมพร้อมเป่าลมโดยให้หัวเป่าชี้ลงที่ปลายผม
- 4 เมื่อคุณได้รผมแต่ละจุดเสร็จเรียบร้อยแล้ว ให้ตั้งค่าไดร์เป่าผมไปที่ลมเป่าเย็นในขั้นสุดท้าย เพื่อปิดปลายผมและเพิ่มความเงางามให้เส้นผม

เคล็ดลับ: เคล็ดลับ: เนื่องจากไดร์เป่าผม Philips Salon Pro มีอุณหภูมิความร้อนต่ำแต่พลังลมเป่าแรงกว่าไดร์เป่าผมทั่วไป จึงทำให้เส้นผมของคุณไม่แห้งเสีย สามารถเป่าผมแห้งในเวลาอันรวดเร็วพร้อมปกป้องดูแลเส้นผม

การใช้งาน

Styling your hair

เครื่องยึดผมคือเครื่องจัดแต่งทรงผมที่มีความร้อนสูง และควรใช้ด้วยความระมัดระวัง

As with all heat stylers that reach salon high temperatures, do not use the appliance frequently to avoid damage to the hair. If you use the heat styler incorrectly, you could overheat your hair or even burn it.

Always follow the steps below.

- 1 เสียบปลั๊กไฟเข้ากับเต้ารับบนผนัง
- 2 Pull the lock upwards to unlock the appliance if it is locked (รูปที่ 2).
- 3 เลื่อนสวิตช์เปิด/ปิดไปด้านหน้าเพื่อเปิดใช้งาน
 - ▶ สัญญาณไฟสว่างขึ้นเมื่อเปิดการทำงาน
 - ▶ The appliance starts to heat up. The appliance is ready for use within 90 seconds.
- 4 หวีหรือแปรงผมเพื่อสางผมที่พันกันออกและทำให้ผมเรียบขึ้น

- 5 ใช้หัวเพื่อแบ่งผมออกเป็นกลุ่ม ซึ่งไม่ควรมีปริมาณผมมากเกินไป (รูปที่ 3)

เคล็ดลับ: แยกผมบริเวณกลางศีรษะก่อนและยึดผมที่อยู่ได้ส่วนนี้เป็นอันดับแรก ก่อนยึดเส้นผมที่อยู่ด้านบนส่วนนี้ขึ้นไป

Styling with the straightening attachment

- 1 แบ่งผมขึ้นมาส่วนหนึ่งกว้างประมาณ 3-4 ซม. วางลงระหว่างแผ่นยึดก่อนประกบเครื่องหนีบผมเข้าหากัน
- 2 ค่อยๆ เลื่อนเครื่องหนีบผมลงมาช้าๆ ประมาณ 5 วินาที จากรากจรดปลายผมโดยไม่ต้องหยุด เพื่อป้องกันไม่ให้ผมสัมผัสความร้อนมากเกินไป (รูปที่ 4)
- 3 ทำตามขั้นตอนนี้อีกครั้งหลังผ่านไป 20 วินาทีจนกระทั่งได้ผมเรียบตรงอย่างที่ต้องการ
- 4 ทิ้งผมไว้ให้เย็น ห้ามหวี หรือแปรงผมที่ยังร้อนอยู่ เพราะอาจทำให้ผมที่จัดแต่งทรงไว้ เสียทรงได้

Styling with the attachment for twists and flicks

- 1 Decide if you want to create inward or outward flicks. Hold the appliance in such a way that the curved plates will create the desired type of flick.
- 2 แบ่งผมขึ้นมาส่วนหนึ่งกว้างประมาณ 3-4 ซม.
- 3 Place lock between the plates approx. 3-5cm above the hair ends and press the handles of the appliance firmly together.
- 4 Slide the styler gently down the length of the hair in a few seconds. When the plates are 3-5cm above the end of the lock, slightly twist the appliance in the direction of the desired flicks to get an optimal effect. Don't stop while you slide the styler down the lock to prevent overheating (รูปที่ 5).
- 5 ทำตามขั้นตอนนี้อีกครั้งหลังผ่านไป 20 วินาทีจนกระทั่งได้ผมเรียบตรงอย่างที่ต้องการ
- 6 ทิ้งผมไว้ให้เย็น ห้ามหวี หรือแปรงผมที่ยังร้อนอยู่ เพราะอาจทำให้ผมที่จัดแต่งทรงไว้ เสียทรงได้

Styling with the attachment for creating volume in layered styles

- 1 Take a section that is 2-3cm wide. If you have a layered style, make sure the section consists of hair of the same length and layer.
- 2 Place the hair between the plates in such a way that the tip of the attachment is close to the hair roots.

Make sure you do not touch your scalp with the tip of the attachment to prevent burning your skin.

- 3 ประกบด้ามจับของเครื่องหนีบผมเข้าหากันให้แน่น

26 ภาษาไทย

- 4 ค่อยๆ เลื่อนเครื่องหนีบผมลงมาช้าๆ ประมาณ 5 วินาทีจากรากจรดปลายผมโดยไม่ต้องหยุด เพื่อป้องกันไม่ให้เส้นผมสัมผัสความร้อนมากเกินไป
- 5 ทำตามขั้นตอนนี้อีกครั้งหลังผ่านไป 20 วินาทีจนกระทั่งได้ผมเรียบตรงอย่างที่ต้องการ
- 6 ทิ้งผมไว้ให้เย็น ห้ามหวี หรือแปรงผมที่ยังร้อนอยู่ เพราะอาจทำให้ผมที่จัดแต่งทรงไว้ เสียทรงได้

Changing the attachments

- 1 ปิดเครื่อง
- 2 Wait until the appliance has slightly cooled down.
- 3 Press the release button at the top of each handle (รูปที่ 6).

หมายเหตุ: You have to release both attachment parts separately

- 4 Grasp the cool grip area with two fingers and gently pull the attachment parts out of the handles.

The attachment parts can still be hot. Always make sure you put them on a heat-resistant surface.

- 5 Insert the parts of the attachment you want to use into the handles and push them home ('click').

การทำความสะอาด

- 1 ตรวจสอบให้แน่ใจว่าปิดสวิตช์เครื่องและถอดปลั๊กออกแล้ว
- 2 ทิ้งไว้ให้เครื่องเย็นโดยวางไว้บนพื้นที่ทนความร้อน
- 3 ใช้ผ้าชุบน้ำบิดพอหมาดเช็ดทำความสะอาดตัวเครื่อง

การจัดเก็บ

ห้ามพันสายไฟรอบเครื่อง

- 1 ตรวจสอบให้แน่ใจว่าปิดสวิตช์เครื่องและถอดปลั๊กออกแล้ว
- 2 ทิ้งไว้ให้เครื่องเย็น โดยวางบนพื้นที่ทนความร้อน ก่อนจัดเก็บ
- 3 To lock the plates, grab the handle and turn the easy-lock system clockwise (รูปที่ 7).

สภาพแวดล้อม

- ห้ามทิ้งเครื่องรวมกับขยะในครัวเรือนทั่วไป เมื่อเครื่องหมดอายุการใช้งานแล้ว ควรทิ้งลงในถังขยะสำหรับนำกลับไปใช้ใหม่ได้ (รีไซเคิล) เพื่อช่วยรักษาสิ่งแวดล้อมที่ดี (รูปที่ 8)

การรับประกันและการบริการ

หากคุณมีปัญหาหรือต้องการทราบข้อมูล โปรดเข้าชมเว็บไซต์ของฟิลิปส์ได้ที่ www.philips.com หรือติดต่อศูนย์บริการดูแลลูกค้าของบริษัทฟิลิปส์ในประเทศของคุณ (หมายเลขโทรศัพท์ของศูนย์บริการฯ อยู่ในเอกสารแนบพับเกี่ยวกับการรับประกันทั่วโลก) หากในประเทศของคุณไม่มีศูนย์บริการ โปรดติดต่อตัวแทนจำหน่ายผลิตภัณฑ์ของบริษัทฟิลิปส์ในประเทศ หรือติดต่อแผนกบริการของบริษัท Philips Domestic Appliances and Personal Care BV

การแก้ปัญหา

เราได้ทำการรวบรวมปัญหาที่อาจเกิดขึ้นได้พร้อมทั้งวิธีแก้ไข หากคุณไม่สามารถแก้ไขปัญหาตามข้อมูลด้านล่างที่ให้มาได้ กรุณาติดต่อศูนย์บริการฟิลิปส์หรือศูนย์บริการลูกค้าฟิลิปส์ในประเทศของคุณ

ปัญหา	สาเหตุ	การแก้ปัญหา
เครื่องไม่ทำงานเลย	อาจเกิดการขัดข้องภายในหรือปลั๊กไฟเสีย	ตรวจสอบว่าแหล่งจ่ายไฟทำงานได้ตามปกติหรือไม่ หากใช้ได้ให้ลองเสียบปลั๊กด้วยเครื่องอื่นเพื่อตรวจสอบว่าปลั๊กไฟนั้นใช้งานได้หรือไม่
	สายไฟชำรุด	หากสายไฟชำรุด ควรนำไปเปลี่ยนที่บริษัทฟิลิปส์ หรือศูนย์บริการที่ได้รับอนุญาตจากฟิลิปส์ หรือบุคคลที่ผ่านการอบรมจากฟิลิปส์ดำเนินการเปลี่ยนให้ เพื่อหลีกเลี่ยงอันตรายที่อาจเกิดขึ้นได้

Giới thiệu

The new Philips SalonStraight Freestyle helps you style your hair in any way you want, for every haircut. The ceramic-coated plates ensure ultra-smooth gliding through the hair, allowing you to style at high temperatures in a quick and caring way.

Mô tả tổng quát (Hình 1)

- A** Phụ kiện ép tóc
- B** Ceramic-coated plates
- C** Cool grip area
- D** Nút tháo
- E** Attachment for creating volume in layered stylers
- F** Attachment for twist & flicks
- G** Nút on/off (bật/tắt) có đèn báo nguồn.
- H** Hệ thống khóa dễ dàng
- I** Dây xoay

Lưu ý

Hãy đọc kỹ hướng dẫn sử dụng này trước khi sử dụng thiết bị và cất giữ để tiện tham khảo sau này.

Nguy hiểm

- Giữ thiết bị tránh xa nước. Không sử dụng thiết bị gần hoặc phía trên chỗ có nước có trong bồn tắm, chậu rửa, v.v... Khi sử dụng thiết bị trong phòng tắm, hãy rút phích cắm điện sau khi sử dụng. Những nơi gần nước sẽ nguy hiểm, ngay cả khi thiết bị đã tắt.

Cảnh báo

- Kiểm tra xem điện áp ghi trên máy có tương ứng với điện áp nguồn nơi sử dụng trước khi bạn nối máy vào nguồn điện.
- Thường xuyên kiểm tra tình trạng dây điện nguồn. Không sử dụng máy nếu phích cắm, dây điện hay chính bản thân máy bị hư hỏng.
- Nếu dây điện bị hư hỏng, bạn nên thay dây điện tại trung tâm bảo hành của Philips, trung tâm bảo hành do Philips ủy quyền hoặc những nơi có khả năng và trình độ tương đương để tránh gây nguy hiểm.

- Thiết bị này không dành cho người dùng (bao gồm cả trẻ em) có sức khỏe kém, khả năng giác quan hoặc có dấu hiệu tâm thần, hoặc thiếu kinh nghiệm và kiến thức, trừ khi họ được giám sát hoặc hướng dẫn sử dụng thiết bị bởi người có trách nhiệm đảm bảo an toàn cho họ.
- Trẻ em phải được giám sát để đảm bảo rằng chúng không chơi đùa với thiết bị này.
- Giữ thiết bị tránh xa các mặt không chịu nhiệt và không phủ thiết bị bằng bất cứ thứ gì (ví dụ, khăn tắm hoặc quần áo) khi nó còn nóng.
- Giữ thiết bị tránh xa những vật dễ cháy.
- Luôn mang máy đến trung tâm dịch vụ được ủy quyền của Philips để được kiểm tra hoặc sửa chữa. Việc sửa chữa do người không chuyên môn thực hiện có thể gây ra những tình huống cực kỳ nguy hiểm cho người sử dụng.

Chú ý

- Để bảo vệ thêm, chúng tôi khuyên bạn lắp một thiết bị dòng điện dư (RCD) trong mạch điện cung cấp cho phòng tắm. RCD này phải có dòng điện hoạt động dư được định mức không lớn hơn 30mA. Hãy tham vấn với người lắp đặt để được tư vấn.
- Các tấm làm thẳng và các bộ phận nhựa gắn các tấm này sẽ nóng lên trong khi sử dụng. Ngăn không cho các mặt nóng của thiết bị tiếp xúc với da bạn.
- Chỉ sử dụng máy này khi tóc khô hay ẩm.
- Không sử dụng thiết bị này trên tóc giả.
- Không để các tấm nhiệt trên tóc bạn dù chỉ là vài giây vì như vậy có thể làm hư tóc.
- Vì lý do an toàn, thiết bị ép tóc này sẽ tự động tắt sau khi đã được bật lên trong 1 giờ.
- Luôn rút phích cắm điện của máy ra sau khi sử dụng.
- Không được quấn dây điện quanh máy.
- Nên đợi cho đến khi thiết bị nguội hẳn rồi mới cất.
- Giữ các tấm sạch sẽ, không để bụi, bẩn và các sản phẩm tạo kiểu tóc như mousse tóc, keo xịt tóc và gel tóc dính vào. Không sử dụng thiết bị cùng với các sản phẩm tạo kiểu tóc.
- Các tấm có một lớp phủ gốm. Lớp phủ này sẽ bị mòn dần theo thời gian. Hiện tượng này sẽ không ảnh hưởng đến hiệu suất của thiết bị.

- Nếu bạn sử dụng thiết bị trên tóc nhuộm, các tâm làm phẳng có thể bị ố vàng.
- Nhiệt độ tối đa sẽ đạt được ngay sau khi làm nóng. Nhiệt độ thực trong suốt quá trình sử dụng có thể thấp hơn.

Từ trường điện (EMF)

Thiết bị Philips này tuân thủ tất cả các tiêu chuẩn liên quan đến các từ trường điện (EMF). Nếu được sử dụng đúng và tuân thủ các hướng dẫn trong sách hướng dẫn này, theo các bằng chứng khoa học hiện nay, việc sử dụng thiết bị này là an toàn.

Cách chuẩn bị sử dụng máy

Gội đầu

Thiết bị ép tóc này cho kết quả tốt nhất trên tóc được gội sạch. Chúng tôi khuyên bạn nên thực hiện theo các mẹo gội đầu dưới đây:

- 1** Làm ướt tóc hoàn toàn trong 30-60 giây.
- 2** Cho một chút dầu gội vào lòng bàn tay. Xoa dầu giữa hai tay và vuốt đều lên tóc.
- 3** Xoa nhẹ tóc và da đầu. Không nên cọ hoặc kéo mạnh tóc ra khỏi da đầu vì như thế có thể làm rới tóc.
- 4** Dùng các đầu ngón tay xoa nhẹ da đầu. Điều này sẽ kích thích máu lưu thông và không làm tổn hại biểu bì tóc.
- 5** Xả tóc kỹ, vì nếu không có thể làm tóc bị xơ. Xả lại bằng nước lạnh để tóc thêm bóng mượt.

Cách sấy tóc

Để tóc thật bóng mượt, bước chuẩn bị để duỗi tóc là cần thiết. Dùng máy sấy để sấy tóc đúng cách nhằm có được mái tóc mượt và đẹp.

- 1** Sau khi gội, dùng tay vắt tóc khô nước, sau đó dùng khăn bông lau khô tóc. Dùng lược để gỡ nhẹ tóc rời từ gốc tới ngọn.
- 2** Chia tóc thành nhiều lọn bằng cách sử dụng kẹp. Bắt đầu từ phía sau.

- 3 Để sấy từng lọn, kéo lược chải thẳng xuống theo chiều dài tóc. Đồng thời đưa máy sấy theo lược, đầu máy sấy hướng về phía ngọn tóc.
- 4 Khi sấy xong mỗi lọn, để máy sấy tóc về chế độ làm mát để sấy lần cuối. Làm như vậy giúp đóng các biểu bì tóc lại và tăng độ bóng cho tóc.

Mẹo: Máy sấy Philips Salon Pro có nhiệt độ sấy thấp hơn nhưng luồng khí mạnh hơn các máy sấy thông thường. Nhờ sự kết hợp này, máy sấy tóc mau khô và nhẹ nhàng hơn các máy thông thường.

Cách sử dụng thiết bị

Styling your hair

Thiết bị ép tóc là dụng cụ tạo kiểu tóc có tác động mạnh, do đó cần phải cẩn thận khi sử dụng.

As with all heat stylers that reach salon high temperatures, do not use the appliance frequently to avoid damage to the hair. If you use the heat styler incorrectly, you could overheat your hair or even burn it. Always follow the steps below.

- 1 Cắm phích vào nguồn điện.
- 2 Pull the lock upwards to unlock the appliance if it is locked (Hình 2).
- 3 Đẩy thanh trượt tắt/mở (on/off) lên trên để bật máy cạo râu.
 - ▶ Đèn nguồn sẽ sáng.
 - ▶ The appliance starts to heat up. The appliance is ready for use within 90 seconds.
- 4 Dùng lược chải để gỡ rối và làm mượt tóc.
- 5 Dùng lược để chia tóc thành nhiều lọn. Không chia quá nhiều tóc vào một lọn (Hình 3).

Mẹo: Tốt hơn là tách riêng phần chòm tóc và đuôi tóc ở bên dưới trước, sau đó duỗi thẳng phần đỉnh đầu.

Styling with the straightening attachment

- 1 Lấy một lọn dưới 5 cm. Đặt lọn tóc giữa hai tấm làm thẳng và ép chặt tay cầm của thiết bị lại với nhau.
- 2 Di chuyển thiết bị trượt xuống theo chiều dài của tóc trong 5 giây, đi từ chân tóc đến ngọn tóc, không dừng lại giữa chừng để tránh bị nóng quá (Hình 4).
- 3 Lặp lại quá trình này sau 20 giây cho đến khi đạt được kiểu tóc như ý.
- 4 Để cho tóc nguội hẳn. Không nên chải trước khi tóc nguội, vì như thế sẽ làm hỏng kiểu tóc bạn vừa tạo.

Styling with the attachment for twists and flicks

- 1 Decide if you want to create inward or outward flicks. Hold the appliance in such a way that the curved plates will create the desired type of flick.
- 2 Lấy một vùng rộng khoảng 3-4cm.
- 3 Place lock between the plates approx. 3-5cm above the hair ends and press the handles of the appliance firmly together.
- 4 Slide the styler gently down the length of the hair in a few seconds. When the plates are 3-5cm above the end of the lock, slightly twist the appliance in the direction of the desired flicks to get an optimal effect. Don't stop while you slide the styler down the lock to prevent overheating (Hình 5).
- 5 Lặp lại quá trình này sau 20 giây cho đến khi đạt được kiểu tóc như ý.
- 6 Để cho tóc nguội hẳn. Không nên chải trước khi tóc nguội, vì như thế sẽ làm hỏng kiểu tóc bạn vừa tạo.

Styling with the attachment for creating volume in layered styles

- 1 Take a section that is 2-3cm wide. If you have a layered style, make sure the section consists of hair of the same length and layer.

- Place the hair between the plates in such a way that the tip of the attachment is close to the hair roots.

Make sure you do not touch your scalp with the tip of the attachment to prevent burning your skin.

- Ép chặt tay cầm của thiết bị lại với nhau.
- Di chuyển thiết bị trượt xuống theo chiều dài của tóc trong 5 giây, đi từ chân tóc đến ngọn tóc, không dừng lại giữa chừng để tránh bị nóng quá.
- Lặp lại quá trình này sau 20 giây cho đến khi đạt được kiểu tóc như ý.
- Để cho tóc nguội hẳn. Không nên chải trước khi tóc nguội, vì như thế sẽ làm hỏng kiểu tóc bạn vừa tạo.

Changing the attachments

- Tắt thiết bị
- Wait until the appliance has slightly cooled down.
- Press the release button at the top of each handle (Hình 6).

Lưu ý: You have to release both attachment parts separately

- Grasp the cool grip area with two fingers and gently pull the attachment parts out of the handles.

The attachment parts can still be hot. Always make sure you put them on a heat-resistant surface.

- Insert the parts of the attachment you want to use into the handles and push them home ('click').

Vệ sinh máy

- Đảm bảo rằng thiết bị đã được tắt và phích cắm điện đã được rút ra.
- Để thiết bị nguội hẳn trên một bề mặt chịu nhiệt.

3 Dùng vải ẩm để lau chùi thiết bị.

Cắt giữ

Không được quấn dây điện quanh máy.

- 1 Đảm bảo rằng thiết bị đã được tắt và phích cắm điện đã được rút ra.
- 2 Để máy nguội hẳn trên một bề mặt chịu nhiệt rồi mới cắt.
- 3 To lock the plates, grab the handle and turn the easy-lock system clockwise (Hình 7).

Môi trường

- Đ Không vứt thiết bị chung với chất thải gia đình thông thường khi ngừng sử dụng nó. Hãy đem nó đến điểm thu gom chính thức để tái chế. Làm như thế, bạn sẽ giúp bảo vệ môi trường (Hình 8).

Bảo hành & dịch vụ

Nếu bạn cần biết thông tin hay gặp trục trặc, vui lòng vào website của Philips tại www.philips.com hoặc liên hệ với Trung Tâm Chăm Sóc Khách Hàng của Philips ở nước bạn (bạn sẽ tìm thấy số điện thoại của Trung tâm trong tờ bảo hành khắp thế giới). Nếu không có Trung Tâm Chăm Sóc Khách Hàng nào ở nước bạn, vui lòng liên hệ đại lý Philips địa phương bạn hay Phòng Dịch Vụ của Philips Domestic Appliances and Personal Care BV.

Cách khắc phục sự cố

Nếu có sự cố phát sinh với máy sấy tóc và bạn không thể khắc phục được bằng thông tin dưới đây, xin vui lòng liên hệ với trung tâm dịch vụ Philips gần nhất hoặc Trung tâm Chăm sóc Khách hàng Philips tại nước bạn.

Vấn đề	Nguyên nhân có thể	Giải pháp
<p>Máy hoàn toàn không hoạt động.</p>	<p>Có thể bị mất điện hoặc ổ cắm không có điện.</p>	<p>Kiểm tra xem nguồn điện có hoạt động không. Nếu có, hãy cắm một thiết bị khác vào ổ cắm để kiểm tra xem ổ cắm có điện không.</p>
	<p>Dây điện nguồn bị hư.</p>	<p>Nếu dây điện bị hư hỏng, bạn nên thay dây điện tại trung tâm bảo hành của Philips, trung tâm bảo hành do Philips ủy quyền hoặc những nơi có khả năng và trình độ tương đương để tránh gây nguy hiểm.</p>

簡介

全新的飛利浦 SalonStraight Freestyle 沙龍級百變造型整髮器讓您隨心所欲創造理想造型，每一種髮型均適用。陶瓷面板能滑順地在頭髮上移動，讓您輕鬆又迅速地完成造型。

一般說明 (圖 1)

- A** 直髮器配件
- B** 陶瓷面板
- C** 防燙握把
- D** 配件釋放鈕
- E** 創造多層次造型秀髮的配件
- F** 創造捲髮與豐盈造型的配件
- G** 開啟/關閉 (On/off) 開關附電源指示燈
- H** 簡易機身閉合鎖系統
- I** 可旋轉式電線

重要事項

在使用本產品前，請先仔細閱讀本使用手冊，並保留說明以供日後參考。

危險

- 使用本產品時，請遠離水！切勿靠近或放在已盛水的浴缸、洗手台及水槽等容器上面。在浴室使用本產品後，請將插頭拔掉。因為即使產品電源關閉，產品仍然靠近水，還是容易產生危險。

警示

- 在您連接電源之前，請檢查本地的電源電壓是否與產品所標示的電源電壓相符。
- 請定期檢查電線的狀況。如果插頭、電線、或者產品本身發生損壞時，請勿使用本產品。
- 如果電線損壞，必須交由飛利浦、飛利浦授權之服務中心，或是具備相同資格的技師更換，以免發生危險。
- 本產品不適合供下列人士 (包括小孩) 使用：身體官能或心智能力退化者，或是經驗與使用知識缺乏者。他們需要有負責其安全的人員在旁監督，或指示產品的使用方法，方可使用。

- 請勿讓孩童將本產品當成玩具。
- 請將本產品遠離非抗熱表面；當本產品溫度還很高時，請勿在本產品上覆蓋任何物品 (例如：毛巾或布)。
- 請將本產品遠離易燃物品。
- 請將本產品送回飛利浦授權的服務中心檢查或維修，由不合格的人員所做的維修可能導致使用上的危險。

警告

- 為了加強安全，建議在通向浴室的電流迴路上安裝 30 毫安培以下的漏電斷路器 (RCD)。請洽詢合格的水電工。
- 面板和周圍的塑膠零件在使用過程中會變燙。請避免皮膚直接與此產品的加熱表面接觸。
- 僅可在乾燥或微濕的頭髮上使用本產品。
- 請勿在假髮上使用本產品。
- 面板停留在頭髮上的時間請勿超過數秒鐘，否則可能會損害您的髮質。
- 為了安全起見，持續使用滿一小時，直髮器電源會自動關閉。
- 用完本產品後，請務必將插頭拔掉。
- 請勿將電線纏繞在本產品上。
- 在進行收納之前，請先等候本產品完全冷卻。
- 請保持整髮面板的清潔，避免沾染灰塵和其他造型產品，如慕斯、噴霧、或髮膠。使用本產品時，請勿同時使用其他造型產品。
- 面板為陶瓷材質。此材質會慢慢隨時間磨損，但不會影響產品的效能。
- 假如在經過染色的頭髮上使用本產品，整髮面板可能會因此染上顏色。
- 本產品在加熱後會達到最高溫度，而使用時的實際溫度可能會低一些。

電磁場 (EMF)

本飛利浦產品符合電磁場 (electromagnetic fields, EMF) 所有相關標準。若正確處理及依照本使用手冊之說明進行操作，根據現有之科學文獻來看，使用本產品並無安全顧慮。

使用前準備

洗髮

洗過頭髮後使用造型器的效果會最好。建議您遵照下列步驟清洗您的頭髮。

- 1 將頭髮完全弄濕 30 至 60 秒。
- 2 倒些洗髮精至掌心。在手中稍加混合，並均勻塗抹在頭髮上。
- 3 輕輕按摩頭髮與頭皮。請勿弄亂頭髮或將長髮放置至頭頂，否則可能會造成頭髮打結。
- 4 以指尖按摩頭皮。這會刺激血液循環，且對毛鱗片較為溫和。
- 5 請徹底沖洗您的頭髮，因為頭髮若沒沖洗乾淨會造成髮色失去光澤。然後再用冷水沖洗，使頭髮更加亮麗。

吹整

若要擁有專業造型效果，造型前的準備工作是相當重要的。適當地使用吹風機吹乾頭髮，以確保擁有專業與柔順的造型效果。

- 1 洗髮後，請用手將頭髮上多餘的水份擰乾，然後以毛巾擦乾頭髮。用梳子輕輕地從髮根到髮稍將頭髮梳開。
- 2 從後面的頭髮開始，使用髮夾將頭髮分成幾個區域。
- 3 使用直髮梳，將每個區域的頭髮從髮根梳往髮尾；將吹風機的風嘴朝向髮稍方向，跟著直髮梳移動，將頭髮吹乾。
- 4 頭髮吹乾後，將吹風機設定為冷風進行最後一次吹整。如此毛鱗片會關閉，讓秀髮更為亮麗。

提示：飛利浦沙龍級專業吹風機擁有比一般吹風機更低的吹風溫度以及更強的出風氣流。透過這樣的搭配設計，它吹乾頭髮的時間跟一般吹風機一樣快速，但卻更為溫和和不傷髮質。

使用此電器

對頭髮做造型

加熱型整髮器是一種強力的造型工具，使用時要隨時小心注意。

所有加熱型整髮器使用時都會是高溫狀態，所以請避免經常使用本產品，以免髮質受損。如果您沒有正確使用整髮器，可能會過度加熱您的秀髮，甚至是燙壞秀髮。請依照下列使用步驟：

- 1 將電源插頭插入牆上插座。
- 2 若產品鎖住的話，請將安全鎖往上拉以打開產品。(圖 2)
- 3 將 On/Off 開關往上推，即可開啟產品電源。
 - 電源指示燈會亮起。
 - 本產品開始加熱。在 90 秒內便可開始使用本產品。
- 4 請梳理頭髮，讓頭髮不打結且平順。
- 5 使用梳子將頭髮分成各個區域。每區髮量請勿過多。(圖 3)

提示：最好將頭頂的頭髮分開，先從下方的頭髮開始燙直，然後再燙直上面的頭髮。

使用直髮器配件做造型

- 1 每次燙髮髮量寬度為 3 到 4 公分。使用整髮面板夾住頭髮，並用力夾緊直髮器把手。
- 2 從髮根順著髮稍方向滑動直髮器約 5 秒鐘時間，中間不要停頓，以避免過熱。(圖 4)
- 3 20 秒之後再次重複這個程序，直到您完成所要的直髮造型。
- 4 請讓您的頭髮冷卻。在完全冷卻之前，請不要梳理頭髮，因為這會破壞您剛剛完成的髮型。

使用創造捲髮與豐盈髮的配件做造型

- 1 決定要創造內捲或外翻的捲髮。握住本產品讓弧形面板能夠創造出您想要的捲髮類型。
- 2 每次燙髮髮量寬度大約為 3 到 4 公分。
- 3 將髮束置於面板之間，約於髮稍往上 3 到 5 公分處，然後用力夾緊產品的把手。
- 4 輕輕滑動整髮器約數秒鐘時間，當面板滑動至距髮束末端的 3 到 5 公分時，請順著所要的捲髮方向輕輕轉動整髮器，即可燙

出最完美的捲髮效果。在髮束上滑動整髮器時不要停頓，以避色過熱。(圖 5)

5 20 秒之後再次重複這個程序，直到您完成所要的直髮造型。

6 請讓頭髮冷卻。在完全冷卻之前，請不要梳理頭髮，因為這會破壞您剛剛完成的髮型。

使用創造多層次造型秀髮的配件造型

1 每次燙髮髮量寬度大約為 2 到 3 公分。若為多層次造型，請確定每次燙髮的髮量包含的長度和層次均相同。

2 將頭髮置於面板之間，讓配件的頂端靠近髮根。

請確保配件頂端未觸碰到頭皮，以免燙傷皮膚。

3 用力夾緊直髮器把手。

4 從髮根順著髮稍方向輕輕滑動整髮器約數秒鐘時間，中間不要停頓，以避免過熱。

5 20 秒之後再次重複這個程序，直到您完成所要的直髮造型。

6 請讓您的頭髮冷卻。在完全冷卻之前，請不要梳理頭髮，因為這會破壞您剛剛完成的髮型。

更換配件

1 關閉產品。

2 先等候本產品稍微冷卻。

3 按下每個握柄頂部的釋放鈕。(圖 6)

注意：您必須分別將兩個配件的零件鬆開。

4 用兩根手指抓住防燙握把，然後輕輕地將配件的零件從握柄上拉開。

配件零件可能仍處於高溫狀態，請務必將之放置在有耐熱處理的物體表面上。

5 將您要使用的配件零件插入握柄，然後將其推至定位(會發出「喀嚓」一聲)。

清潔

- 1 請確定將本產品的電源關閉並拔除插頭。
- 2 將本產品靜置於耐熱的表面上直到完全冷卻為止。
- 3 用微濕的布清潔本產品。

收藏

請勿將電源線捲繞在產品上。

- 1 請確定將本產品的電源關閉並拔除插頭。
- 2 請先將本產品靜置於耐熱的表面上冷卻後再進行收納。
- 3 若要鎖定面板，請握住握柄，然後以順時針方向轉動簡易機身閉合鎖系統。(圖 7)

環境保護

- 本產品壽命結束時請勿與一般家庭廢棄物一併丟棄。請將該產品放置於政府指定的回收站，此舉能為環保盡一份心力。(圖 8)

保固與服務

若您需要相關資訊或有任何問題，請瀏覽飛利浦網站 www.philips.com，或連絡您當地的飛利浦客戶服務中心(您可以在全球保證書上找到連絡電話)。如果您當地沒有客戶服務中心，請洽詢當地飛利浦經銷商，或與飛利浦小家電服務部門聯繫。

故障排除

若您的整髮造型器有問題，而您無法用下列的疑難排解指南解決，請就近連絡飛利浦服務中心或您所在國家/地區的飛利浦顧客服務中心。

問題	可能原因	解決方法
無法啟動本產品。	電力故障或插座故障。	請檢查供電是否正常。如果供電正常，請插入另一個產品以檢查插座是否正常運作。
	電源線損壞。	如果電線損壞，必須交由飛利浦、飛利浦授權之服務中心，或是具備相同資格的技師更換，以免發生危險。

产品简介

全新飞利浦 SalonStraight Freestyle 美发造型器可帮助您随心所欲地塑造发型，适用于所有发式。陶瓷涂层的定型夹板可在头发间顺畅滑动，使您的秀发在高温条件下快速造型的同时又能得到有效呵护。

一般说明 (图 1)

- A** 直发附件
- B** 陶瓷涂层的定型夹板
- C** 隔热把手
- D** 释放按钮
- E** 制作有层次的丰盈造型的附件
- F** 制作卷发和发梢造型的附件
- G** 带有通电指示灯的 On/off 开关
- H** 简易锁扣系统
- I** 可旋转式电线

注意事项

使用产品之前，请仔细阅读本使用说明书，并妥善保管以备日后参考。

危险

- 请不要让本产品与水接触。不要在盛水的浴池、洗脸盆或其它容器内或附近使用。如在浴室中使用，应在使用完毕后拔下插头。即使产品开关断开后，接近水仍存在危险。

警告

- 在将产品连接电源之前，请先检查产品所标电压与当地的供电电压是否相符。
- 定期检查电源线的情况。如果插头、电源线或产品本身已损坏，请勿再使用本产品。

- 如果电源软线损坏，为避免危险，必须由制造厂或其维修部或类似的专职人员来更换。
- 本产品不打算由肢体不健全、感觉或精神上有障碍或缺乏相关经验和知识的人（包括儿童）使用，除非有负责他们安全的人对他们使用本产品进行监督或指导。
- 应照看好儿童，确保他们不玩耍这些产品。
- 切勿将本产品放置在不隔热的表面，当本产品变热时切勿在其表面覆盖任何物品（如毛巾或衣服）。
- 使产品远离易燃物体。
- 产品只能送到由飞利浦授权的维修中心检修。由不合格人员进行修理可能将用户置于极度危险的境地。
- 注意
- 有关其它保护措施，建议在浴室的电路中安装一个漏电保护器(RCD)。RCD必须具有不超过30mA的额定漏电动作电流。有关建议，请咨询安装人员。
- 夹板和夹板附近的塑料件在使用过程中会发热。避免产品的高温表面接触到皮肤。
- 产品只能用于干发或微湿的头发。
- 请勿对假发使用本产品。
- 一次不要让夹板在您的头发上停留数秒以上，否则可能损伤您的头发。

- 出于安全考虑，直发器在通电 1 小时后会自动断电。
- 使用后务必拔下产品的插头。
- 切勿将电源线缠绕在产品上。
- 待产品完全冷却后再存放。
- 保持夹板洁净无尘，无污渍、无定型产品（如摩丝、定型喷剂和发胶）。切勿将本产品与定型产品一起使用。
- 定型夹板具有陶瓷涂层。此涂层将在多次使用之后逐渐消失。但这不会影响产品的性能。
- 当产品用于染过色的头发时，夹板可能会染上颜色。
- 最高温度仅在加热后出现。使用时的实际温度可能较低。

电磁场 (EMF)

这款飞利浦产品符合关于电磁场 (EMF) 的所有相关标准。据目前的科学证明，如果正确使用并按照本用户手册中的说明进行操作，本产品是安全的。

使用准备

洗发

该直发器用于洗干净的头发时效果最佳。我们建议您按照以下提示洗发。

- 1** 彻底浸湿头发 30-60 秒。
- 2** 倒适量洗发水到掌心，用手将其揉开，均匀抹在头发上。
- 3** 轻柔地按摩头发及头皮。切勿用力过猛，也不要将后端长发往上堆到头顶，因为这可能会使您的头发纠结在一起。

46 简体中文

- 4 用指尖按摩头皮，这样可刺激血液循环，使头发表皮更加柔软。
- 5 彻底冲洗头发，冲洗不充分会导致头发暗淡。最后用冷水冲洗，可令秀发更加亮泽。

吹干

为达到专业定型的效果，必须做好定型的准备。用电吹风适当吹干头发，以确保达到专业柔顺的效果。

- 1 洗完头发后，用手挤掉头发中多余的水份，再用毛巾擦干头发。用梳子从发根到发梢轻柔地梳顺头发。
- 2 使用发夹将头发分成数绺。从脑后开始。
- 3 对每一绺头发，都用直发梳沿头发向下梳直。用电吹风紧随发梳吹干头发，使用电吹风时让其集风嘴对准发梢。
- 4 吹干每一绺头发之后，请将电吹风设置为冷风，进行最后的护发冷风定型。这能够固定发型，使头发更加亮泽。

提示：飞利浦恒温护发电吹风干发温度较低，但风力较强。正是得益于这些特点，可快速而轻柔地吹干头发。

使用本产品

塑造发型

美发造型器是功能强大的定型器具，必须小心使用。

由于美发造型器可以达到沙龙级的高温，因此不要频繁使用本产品，以免损伤头发。如果您使用美发造型器的方法不当，则可能会灼伤甚至烧坏头发。应始终遵循以下步骤。

- 1 将电源插头插入插座。
- 2 如果产品已被锁住，请向上拉锁将其打开。(图 2)
- 3 向上推动开/关滑钮以接通产品电源。
 - 电源指示灯亮起。
 - 产品开始加热。产品将在 90 秒钟内准备就绪。

4 梳理头发使其顺滑无缠结。

5 用梳子将头发分成很多绺。一绺头发不能太多。(图 3)

提示：最好先挽住头顶头发，以便先拉直下部头发，然后再拉直头顶头发。

用直发附件定型

1 每绺头发宽度为 3-4 厘米，将其夹在夹板中间并按紧产品手柄。

2 将直发器沿发根至发梢顺势滑动 5 秒钟，不要停顿，以免过热。(图 4)

3 20 秒钟后再重复一次，直到塑造出了您想要的理想发型。

4 让头发冷却下来。头发冷却前不要梳理，否则可能会破坏刚塑造好的发型。

用制作卷发和发梢造型的附件定型

1 确定希望头发向内还是向外卷曲。将产品保持在适当方位，使卷发夹板能够制作所需的卷发造型。

2 每绺头发宽度大约为 3-4 厘米。

3 将夹板之间的头发置于发梢上方约 3-5 厘米的位置，然后合紧产品的手柄。

4 将美发造型器在数秒钟内轻轻地滑向发梢，当夹板位于发梢上方 3-5 厘米时，朝卷发的目标方向轻轻地扭转产品可达到最佳效果。美发造型器从头发间滑下时不要停顿，以免过热。(图 5)

5 20 秒钟后再重复一次，直到塑造出了您想要的理想发型。

6 让头发冷却下来。头发冷却前不要梳理，否则可能会破坏刚塑造好的发型。

用制作有层次的丰盈造型的附件定型

1 每绺头发宽度为 2-3 厘米。如果头发属于层叠造型，应确保每绺中的头发长度和层次相同。

- 2 用夹板夹住头发，使附件的尖端靠近头发根部。
确保附件的尖端不会接触到头皮，以防灼伤皮肤。
- 3 按紧产品的手柄。
- 4 将美发造型器在数秒钟内轻轻地从发根滑到发梢，中间不要停顿，以防过热。
- 5 20 秒钟后再重复一次，直到塑造出了您想要的理想发型。
- 6 让头发冷却下来。头发冷却前不要梳理，否则可能会破坏刚塑造好的发型。

更换附件。

- 1 关闭产品。
- 2 等待产品稍微冷却。
- 3 按每个手柄顶部的释放按钮。(图 6)

注：必须单独地释放两个附件部件

- 4 用两个手指捏住隔热把手，轻轻地将附件部件拉出手柄。
附件部件可能还有余热。应始终确保将其放在耐热表面上。

- 5 如果需要使用，可将附件的部件插入手柄使其就位（可听到咔嗒声）。

清洁

- 1 确保产品电源关闭并已将电源插头拔出。
- 2 将产品放在耐热表面上让其完全冷却。
- 3 用湿布擦拭本产品。

存放

请勿将电源线缠绕在产品上。

- 1 确保产品电源关闭并已将电源插头拔出。
- 2 存放前将产品放在耐热表面上让其完全冷却。

3 要锁住夹板，请抓住手柄，顺时针旋转简易锁扣。(图 7)

环保

- 弃置产品时，请不要将其与一般生活垃圾堆放在一起；应将其交给官方指定的回收中心。这样做有利于环保。(图 8)

保修与服务

如果您需要详细信息或有任何问题，请浏览飞利浦网站，地址为 www.philips.com。您也可以与本国的飞利浦顾客服务中心联系（您可以从全球保修卡中找到电话号码）。如果本国没有飞利浦顾客服务中心，请与当地的飞利浦经销商或与飞利浦家庭小电器的维修中心联系。

故障排除

如果美发造型器出现问题并且无法根据下面的信息加以解决，请与附近的飞利浦维修服务中心或贵国的飞利浦客户服务中心联系。

问题	可能的原因	解决方法
产品完全无法工作。	可能是电源故障或插座损坏。	检查供电是否正常。如果可以正常供电，请将另一台产品插入插座，检查插座是否已损坏。
	电源线损坏。	如果电源软线损坏，为避免危险，必须由制造厂或其维修部或类似的专职人员来更换。

此规格只适用于中国

PHILIPS

产品 : 飞利浦直发器
型号 : HP4681
额定电压 : 220V~
额定频率 : 50Hz
额定输入功率: 25W
产地 : 中国
生产日期 : 请见产品手柄

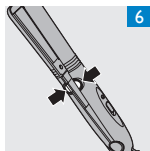
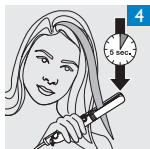
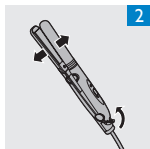


/00

珠海经济特区飞利浦家庭电器有限公司
珠海市三灶镇琴石工业区 邮编:519040
电话: (0756)7621898
全国顾客服务热线: 4008 800 008

本产品根据GB4706.1-1998及GB4706.15-2003.
GB4343.1-2003及GB17625.1-2003制造

请妥善保管本使用说明书
发行日期: **2007/10/17**





www.philips.com



4222.002.6988.1