

Register your product and get support at  
[www.philips.com/welcome](http://www.philips.com/welcome)

HP8180



---

EN User manual

---

**PHILIPS**

Congratulations on your purchase, and welcome to Philips! To fully benefit from the support that Philips offers, register your product at [www.philips.com/welcome](http://www.philips.com/welcome).

## 1 Important

Read this user manual carefully before you use the appliance and keep it for future reference.

- **WARNING:** Do not use this appliance near water.
- When the appliance is used in a bathroom, unplug it after use since the proximity of water presents a risk, even when the appliance is switched off.
- **WARNING:** Do not use this appliance near bathtubs, showers, basins or other vessels containing water.
- Always unplug the appliance after use.



- If the mains cord is damaged, you must have it replaced by Philips, a service centre authorised by Philips or similarly qualified persons in order to avoid a hazard.
- This appliance can be used by children aged from 8 years and above and persons with reduced physical, sensory or mental capabilities or lack of experience and knowledge if they have been given supervision or instruction concerning use of the appliance in a safe way and understand the hazards involved. Children shall not play with the appliance. Cleaning and user maintenance shall not be made by children without supervision.

- For additional protection, we advise you to install a residual current device (RCD) in the electrical circuit that supplies the bathroom. This RCD must have a rated residual operating current not higher than 30mA. Ask your installer for advice.
- Do not insert metal objects into the air grilles to avoid electric shock.
- Never block the air grilles.
- Before you connect the appliance, ensure that the voltage indicated on the appliance corresponds to the local power voltage.
- Do not use the appliance for any other purpose than described in this manual.
- Do not use the appliance on artificial hair.
- When the appliance is connected to the power, never leave it unattended.
- Never use any accessories or parts from other manufacturers or that Philips does not specifically recommend. If you use such accessories or parts, your guarantee becomes invalid.
- Do not wind the mains cord round the appliance.
- If the appliance overheats, it switches off automatically. Unplug the appliance and let it cool down for a few minutes. Before you switch the appliance on again, check the grilles to make sure they are not blocked by fluff, hair, etc.

Noise Level:  $L_c = 83\text{dB [A]}$

---

## Electromagnetic fields (EMF)

This appliance complies with all standards regarding electromagnetic fields (EMF). If handled properly and according to the instructions in this user manual, the appliance is safe to use based on scientific evidence available today.

---

## Environment

Do not throw away the appliance with the normal household waste at the end of its life, but hand it in at an official collection point for recycling. By doing this, you help to preserve the environment.



## 2 Dry your hair

- 1 Connect the plug to a power supply socket.
  - For precise drying, attach the concentrator (①) onto the hairdryer (②).
  - To disconnect the attachment, pull it off the hairdryer.
- 2 Adjust the airflow switch (⑥) to **I** for gentle airflow and styling, or **II** for strong airflow and fast drying. Press the Turbo button (⑦) for extra airflow.
- 3 Adjust the temperature switch (⑤) to ☞ for hot airflow, ☜ for warm airflow, or ● for cool airflow. Press the Cool shot button (⑧) for cool airflow to fix your style.

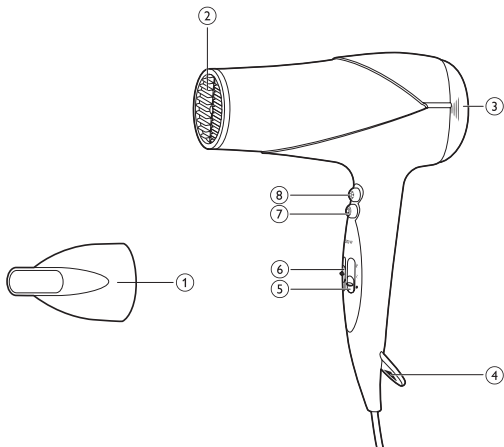
### After use:

- 1 Switch off the appliance and unplug it.
- 2 Place it on a heat-resistant surface until it cools down.
- 3 Take the air inlet grille (③) off the appliance to remove hair and dust.

- ↳ To remove the air inlet grille, press the thumbrests on the left and the right side of the air inlet grille simultaneously and pull it off the appliance.
  - ↳ To reattach the air inlet grille, press the thumbrests on the left and the right side of the air inlet grille simultaneously and press it onto the appliance.
- 4 Clean the appliance with damp cloth.
  - 5 Keep it in a safe and dry place, free of dust. You can also hang it with the hanging loop (④).

## 3 Guarantee and service

If you need information or if you have a problem, please visit the Philips website at [www.philips.com](http://www.philips.com) or contact the Philips Customer Care Centre in your country (you find its phone number in the worldwide guarantee leaflet). If there is no Consumer Care Centre in your country, go to your local Philips dealer.



© Royal Philips Electronics N.V. 2012  
All rights reserved.

Specifications are subject to change without notice.  
Trademarks are the property of Koninklijke Philips  
Electronics N.V. or their respective owners.



Register your product and get support at  
[www.philips.com/welcome](http://www.philips.com/welcome)

HP8605



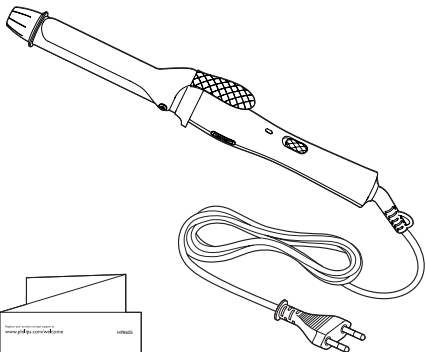
---

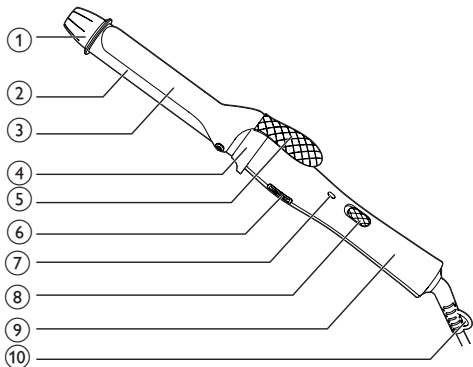
EN      User manual

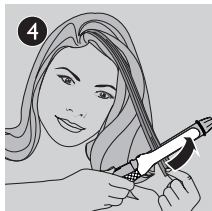
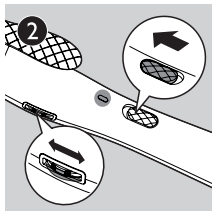
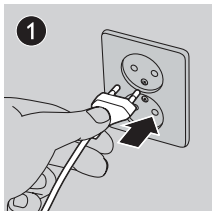
---

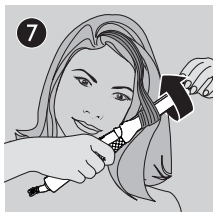
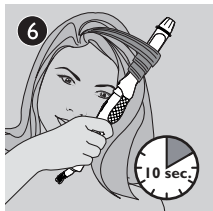
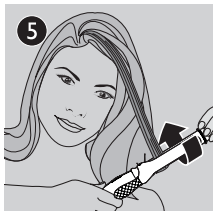
**PHILIPS**











## 1 Congratulations

Congratulations on your purchase, and welcome to Philips! To fully benefit from the support that Philips offers, register your product at [www.philips.com/welcome](http://www.philips.com/welcome).

## 2 Introduction

CurlControl with 25mm barrel for natural looking curls features a protective ceramic coating and 8 heat settings to suit your hair type. Create the curls that are easy to manage, look natural and feel sexy without the damage and dryness. We hope you will enjoy using your **CurlControl**.

## 3 Important

Read this user manual carefully before you use the appliance and save it for future reference.

- This appliance can be used by children aged from 8 years and above and persons with reduced physical, sensory or mental capabilities or lack of experience and knowledge if they have been given supervision or instruction concerning use of the appliance in a safe way and understand the hazards involved. Children

shall not play with the appliance. Cleaning and user maintenance shall not be made by children without supervision.

- Children should be supervised to ensure that they do not play with the appliance.
- If the mains cord is damaged, you must have it replaced by Philips, a service centre authorized by Philips or similarly qualified persons in order to avoid a hazard.
- **WARNING:** Keep this appliance away from water. Do not use it near or over water contained in baths, washbasins, sinks etc. When you use the appliance in a bathroom, unplug it after use. The proximity of water presents a risk, even when the appliance is switched off.
- For additional protection, we advise you to install a residual current device (RCD) in the electrical circuit that supplies the bathroom. This RCD must have a rated residual operating current not higher than 30mA. Ask your installer for advice.
- Check if the voltage indicated on the appliance corresponds to the local mains voltage before you connect the appliance.



- Check the condition of the mains cord regularly. Do not use the appliance if the plug, the cord or the appliance itself is damaged.
- The barrel of this appliance becomes hot during use. Prevent contact with the skin.
- Prevent the mains cord from coming into contact with the hot parts of the appliance.
- Only use the appliance on dry hair.
- Always unplug the appliance after use.
- Wait until the appliance has cooled down before you store it.
- Keep the barrel clean and free of dust and styling products such as mousse, spray and gel. Never use the appliance in combination with styling products.
- Always return the appliance to a service centre authorized by Philips for examination or repair. Repair by unqualified people could cause an extremely hazardous situation for the user.
- The barrel has a ceramic coating. This coating slowly wears away over time. This does not affect the performance of the appliance.
- Keep the appliance away from flammable objects and materials when it is switched on.
- Never cover the appliance with anything (e.g. a towel or clothing) when it is hot.
- Never leave the appliance unattended when it is plugged in.
- If the appliance is used on colour-treated hair, the barrel may stain.
- This appliance is extremely hot, pay full attention when using this appliance.
- Only hold the handle while the unit is plugged in, other parts are hot.
- Before use it in artificial hair, always consult their distributor.
- Do not operate the appliance with wet hands.
- Always place the appliance with the stand on a heat-resistance, stable flat surface. The hot barrel should never touch the surface or other flammable material.

## Electromagnetic fields (EMF)

This appliance complies with all standards regarding electromagnetic fields (EMF). If handled properly and according to the instructions in this user manual, the appliance is safe to use based on scientific evidence available today.

## Environment

Do not throw away the appliance with the normal household waste at the end of its life, but hand it in an official collection point for recycling. By doing this, you help to preserve the environment.



## 4 Curl your hair

Ensure that you select a temperature setting that is suitable for your hair. Always select a low setting when you use the curler for the first time.

Hair Type	Temperature Setting
Coarse, curly, hard-to-curl	Mid to High (setting 4-8)
Fine, medium-textured or softly straightened	Low to Mid (setting 1-5)
Pale, blonde, bleached or color-treated	Low (setting 1-3)

- 1 Connect the plug to a power supply socket.
- 2 Slide the on/off switch (⑧) to I to switch on the appliance.  
↳ The power-on indicator (⑦) lights up and starts blinking.  
Turn the rheostat wheel (⑥) to select your desired temperature setting as recommended in the table above.  
↳ When the appliance is ready for use, the indicator (⑦) stops blinking.



- 3 Before you start curling, comb your hair and divide your hair into small sections. Press the lever (⑤) and place a section of hair between the barrel (②) and clip (③).
- 4 Close the Clip by releasing the Lever and slide the Barrel to the hair tip.
- 5 Hold the cool tip(①) and the handle (⑨) of the curling iron, and then wind the section of hair round the barrel from tip to root by rotating the curler.
- 6 Hold the curling iron in the position for max. 10 seconds.



### Note

- Do not pull at the curler when you unwind the section, otherwise you would straighten the curl.

- 7 Unwind the section of hair until you can open the clip again with the lever.
- 8 Release the curled hair.  
To curl the rest of your hair, repeat steps 3 to 8.  
You may curl your hair both from inside out or from outside in as you like.

### After use:

- 1 Switch off the appliance and unplug it.
- 2 Place it on the resting stand (④) until it cools down. To place it on a heat-resistant surface is highly recommended.
- 3 Remove hairs and dust from the barrel and clip.
- 4 Clean the barrel and the clip with damp cloth.
- 5 Keep it in a safe and dry place, free of dust. You can also hang it with the hanging loop (⑩).

## 5 Guarantee and service

If you need information or if you have a problem, please visit the Philips website at [www.philips.com](http://www.philips.com) or contact the Philips Customer Care Centre in your country (you find its phone number in the worldwide guarantee leaflet). If there is no Consumer Care Centre in your country, go to your local Philips dealer or contact the Service Department of Philips Domestic Appliances and Personal Care BV.

## 6 Troubleshooting

If problems should arise with your curler and you cannot solve them with the information below, please contact the nearest Philips service centre or the Philips Customer Care Centre in your country.

Problem	Cause	Solution
The appliance does not work at all.	The power socket to which the appliance has been connected may not live.	Ensure the socket is live.
	The mains cord of the appliance may be damaged.	If the mains cord is damaged, you must have it replaced by Philips, a service centre authorised by Philips or similarly qualified persons in order to avoid a hazard.



All registered and unregistered trademarks are property of their respective owners.  
© 2012 Koninklijke Philips Electronics N.V.  
All rights reserved.

3140 035 30851

