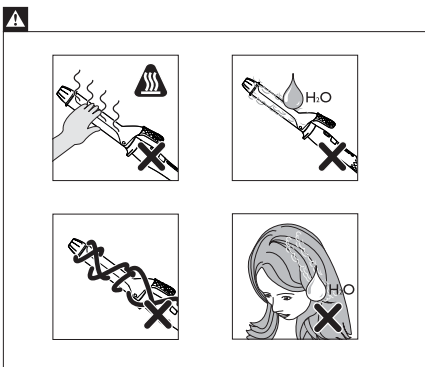
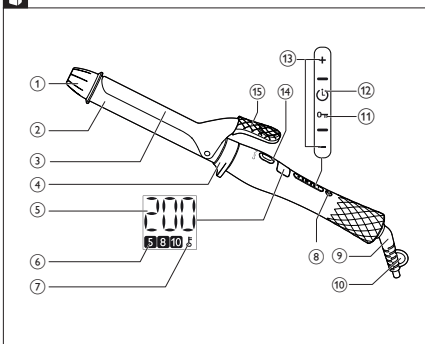


HP8606



EN User manual ZH-HK 使用手册
ZH-CN 用户手册

PHILIPS



© 2016 Koninklijke Philips N.V.
保留所有权利

3140 035 32734

English

Congratulations on your purchase, and welcome to Philips! To fully benefit from the support that Philips offers, register your product at www.philips.com/welcome.

1 Important

- Read this user manual carefully before you use the appliance and keep it for future reference.
- **WARNING:** Do not use this appliance near water.
 - When the appliance is used in a bathroom, unplug it after use since the proximity of water presents a risk, even when the appliance is switched off.
 - **WARNING:** Do not use this appliance near bathtubs, showers, basins or other vessels containing water.
 - Always unplug the appliance after use.
 - If the mains cord is damaged, you must have it replaced by service centre or similarly qualified persons in order to avoid a hazard.
 - This appliance can be used by children aged from 8 years and above and persons with reduced physical, sensory or mental capabilities or lack of experience and knowledge if they have been given supervision or instruction concerning use of the appliance in a safe way and understand the hazards involved. Children shall not play with the appliance. Cleaning and user

maintenance shall not be made by children without supervision.

- For additional protection, we advise you to install a residual current device (RCD) in the electrical circuit that supplies the bathroom. This RCD must have a rated residual operating current not higher than 30mA. Ask your installer for advice.
- Before you connect the appliance, ensure that the voltage indicated on the appliance corresponds to the local power voltage.
- Do not use the appliance for any other purpose than described in this manual.
- When the appliance is connected to the power, never leave it unattended.
- Never use any accessories or parts from other manufacturers or that Philips does not specifically recommend. If you use such accessories or parts, your guarantee becomes invalid.
- Do not wind the mains cord round the appliance.
- Wait until the appliance has cooled down before you store it.
- Pay full attention when using the appliance since it could be extremely hot. Only hold the handle as other parts are hot and avoid contact with the skin.
- Always place the appliance with the stand on a heat-resistant, stable flat surface. The hot

barrel should never touch the surface or other flammable material.

- Avoid the mains cord from coming into contact with the hot parts of the appliance.
- Keep the appliance away from flammable objects and material when it is switched on.
- Never cover the appliance with anything (e.g. a towel or clothing) when it is hot.
- Only use the appliance on dry hair. Do not operate the appliance with wet hands.
- Keep the barrel clean and free of dust and styling products such as mousse, spray and gel.
- The barrel has ceramic coating. This coating might slowly wear away over time. However, this does not affect the performance of the appliance.
- If the appliance is used on color-treated hair, the barrel may be stained. Before using it on artificial hair, always consult their distributor.
- Always return the appliance to a service centre authorized by Philips for examination or repair. Repair by unqualified people could result in an extremely hazardous situation for the user.
- Do not insert metal objects into openings to avoid electric shock.
- Do not pull on the power cord after using. Always unplug the appliance by holding the plug.

Electromagnetic fields (EMF)

This Philips appliance complies with all applicable standards and regulations regarding exposure to electromagnetic fields.

Environment

Do not throw away the appliance with the normal household waste at the end of its life, but hand it in an official collection point for recycling. By doing this, you help to preserve the environment.

2 Introduction

Easy CurlControl features 25mm barrel for natural looking curls and protective ceramic coating for a better care. It has a Curl Ready Indicator which enables you to create curls with no compromise on hair health. Create curls that are easy to manage, look natural and feel sexy without the dryness. We hope you will enjoy using your Easy CurlControl.

3 Overview

- ① Cool Tip
 - ② Ceramic Barrel
 - ③ Curling Iron Clip
 - ④ Resting Stand
 - ⑤ Display for Temperature Setting
 - ⑥ Display for Time Settings for Curl Ready Indicator: 5, 8, 10 seconds
 - ⑦ Display for Key Lock Icon
 - ⑧ On/Off Button
 - ⑨ 360° Swivel Cord
 - ⑩ Hanging Loop
 - ⑪ Unlock Key Lock Function
 - ⑫ Time Switch for Curl Ready Indicator
 - ⑬ Temperature Switches
 - ⑭ Curl Ready Indicator
 - ⑮ Heat resistant lever
- With the following features in your Easy CurlControl, you will have a more convenient curling experience for a healthier hair.
- **Curl Ready Indicator**
Unique Curl Ready Indicator with choices of 5, 8, 10 seconds lets you know when your curl is ready by giving a "beep" alert - no more hair over-treatment.
 - **Digital Adjustable Temperature Settings**
Digital heat settings allow you to choose the temperature that suits your hair type, while the top temperature of 200°C guarantees perfect results even for thick hair.
 - **Key Lock Function**
The Key Lock protects you from any careless operators. After switching on the device, the Key Lock will be automatically activated 15 seconds after you last used the Temperature Switches. The Time Switch for Curl Ready Indicator or the On/Off Button. (Thereafter the automatic activation will be after 5 seconds.)

To unlock the appliance, press the Unlock Key Lock Function (Ⓜ) for 1 second.

- **Automatic Shut-off**
An automatic shut-off after 60 minutes offers you extra safety. You can reactivate the curler by pressing the On/Off Button for 2 seconds.

4 Curl your hair

Before styling
Note: Ensure that you select a temperature setting that is suitable for your hair. Always select a low setting when you use the curler for the first time.

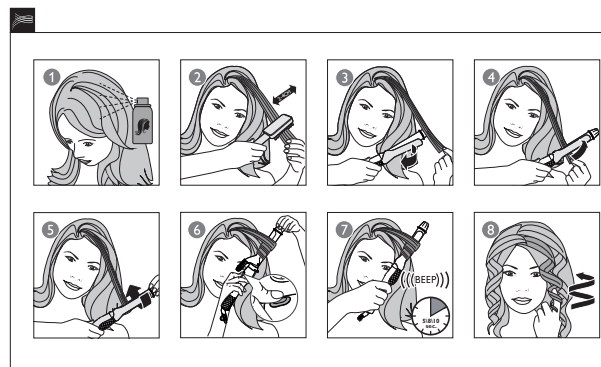
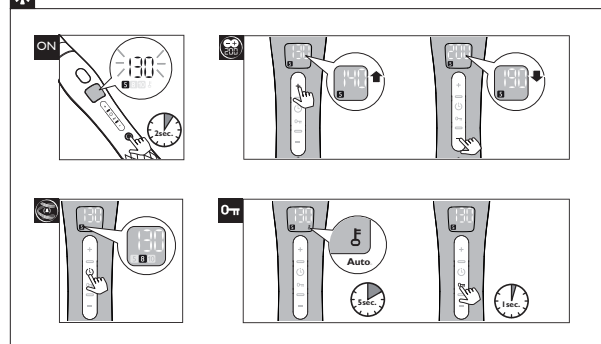
- 1 Connect the plug to a power supply socket.
- 2 Press on/off button (Ⓜ) for 2 seconds to switch on the appliance.
- 3 Select a Temperature (Ⓢ) and Time Setting (Ⓟ) according to the table below:

Hair Type	Temperature setting	Recommended Curling Time
Permanently treated (e.g. permied or bleached/color-treated)	Low 130-150 °C	5 or 8 seconds
Fine, medium textured or slightly wavy	Low to Mid 160-180 °C	8 or 10 seconds
Coarse, straight, hard-to-curl	Mid to High 190-200 °C	8 or 10 seconds

- The heating up time is indicated by blinking temperature numbers.
- If the temperature indication stays stable, the curler is ready for use.
- If the buttons of the appliance are not operated for 5 seconds, the Key Lock is activated automatically and Key Lock icon (Ⓜ) is displayed (the first automatic activation after switching on the appliance is after 15 seconds). To unlock the appliance, press the Unlock Key Lock Function (Ⓜ) if you want.

Usage
Note: If you want to change the temperature or time setting during operation, you might have to deactivate the Key Lock by pressing the Unlock Key Lock Function (Ⓜ) for one second.

- 1 Before you start curling, spray heat protectant onto your dry hair for more protection.
- 2 Comb your hair and divide your hair into small sections.
- 3 Press the lever (Ⓠ) and place a section of hair between the barrel (Ⓡ) and clip (Ⓞ).
- 4 Close the clip (Ⓞ) by releasing the lever (Ⓠ) and slide the barrel to the hair tip.
- 5 Hold the cool tip (Ⓡ) and the handle of the curling iron with both hands. Then wind the section of hair round the barrel from tip to root by rotating the curler.
- 6 Press the Curl Ready button (Ⓟ). When you hear the "beep", the time counting starts.
- 7 When your curl is ready, you will hear a "beep" alert three times. Unwind the section of hair until you can open the clip again with the lever.
- 8 Repeat step 3-7 until all the hair is curled.



8 To finish, break up the curls with your fingers and wind each smaller curl around your finger for extra definition.

- 1 Switch off the appliance and unplug it.
- 2 Place it on a heat-resistant surface until it cools down.
- 3 Remove hairs and dust from the barrel.
- 4 Clean the barrel with a damp cloth.
- 5 Keep it in a safe and dry place, free of dust. You can also hang it with the hanging loop (Ⓢ).

5 Guarantee and service

If you need information or if you have a problem, please visit the Philips website at www.philips.com/support or contact the Philips Customer Care Centre in your country. You can find the list of phone numbers in the worldwide guarantee leaflet. If there is no Consumer Care Centre in your country, please go to your local Philips dealer or contact the Service Department of Philips Domestic Appliances and Personal Care BV.

6 Troubleshooting

If problems should arise with your curler and you cannot solve them with the information below, please contact the nearest Philips service centre or the Philips Customer Care Centre in your country.

Problem	Cause	Solution
The appliance does not work at all.	The wall socket to which the appliance has been connected may be faulty.	Check the appliance is plugged in correctly. Check the fuses/circuit breaker in your home may be faulty.
The mains cord of the appliance may be damaged.	If the mains cord is damaged, you must have it replaced by Philips, a service centre authorised by Philips or similarly qualified persons in order to avoid a hazard.	Contact Philips customer care center in your local country or take the appliance to the nearest Philips service center for repair/replacement.

繁體中文

感謝您購買 Philips 產品，歡迎來到 Philips 世界！要享受 Philips 為您提供的全面支援，請在以下網站 www.philips.com/welcome 註冊您的產品。

1 重要資訊

- 使用本產品前請先閱讀本用戶手冊，並保留以作將來參考。
- **警告：**請勿在水分附近使用本產品。
 - 即使本產品已關閉，鄰近水分仍然存在，因此在浴室使用本產品時，請於使用後拔除電線。
 - **警告：**請勿在浴缸、花灑、水盆或其他載有水的容器附近使用本產品。
 - 使用本產品後必需拆除電源。
 - 如果電線受損，為避免危險，必須由製造廠或其維修部或類似的專職人員來更換。
 - 此產品可供八歲及以上兒童，體能、感官或心智能力低下人士，或缺乏知識及經驗人士使用，如該等人士已就使用本產品給予監督或有關安全使用本產品的指導及明白本產品的使用所涉及的危險。請勿讓孩童將本產品當成玩具。孩童不應於沒有監督情況下對產品進行清潔及維護。
 - 為增強保護，我們建議在浴室的電路安裝漏電斷路器 (RCD)。漏電斷路器必需有不高於 30mA 的餘差啟動電流。請向您的安裝業者尋求建議。
 - 在連接本產品前，請先確保表示在本產品上的電壓跟當地電壓相符。
 - 本產品將本產品使用於用戶手冊所描述以外的目的。
 - 當本產品接上了電源，不可放置不管。
 - 請勿使用任何其他廠商製造而非 Philips 特別建議使用的配件或零件。如使用該等配件或零件，您的保障將會失效。
 - 請勿將電線圍繞本產品。

