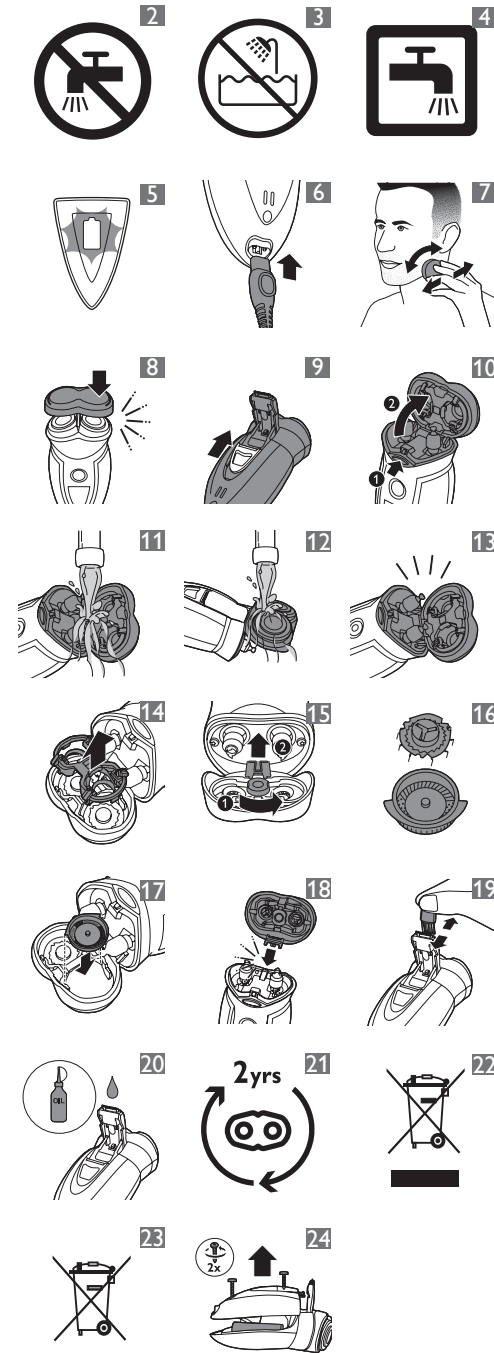
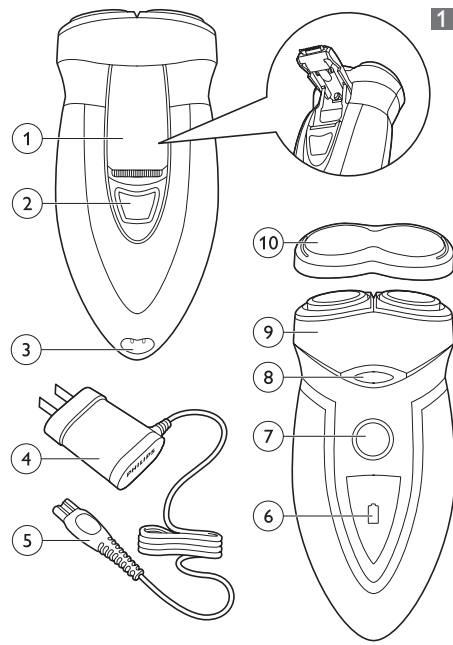


Register your product and get support at
www.philips.com/welcome

HQ6076, HQ6075, HQ6073,
 HQ6071, HQ6070



PHILIPS



PHILIPS

产品 : 飞利浦电动剃须刀
 型号 : HQ6071, HQ6076
 额定电压 : 220V~
 额定频率 : 50Hz
 额定输入功率: 2W
 生产日期 : 请见产品本体
 产地 : 中国

珠海经济特区飞利浦家庭电器有限公司
 中国珠海市三灶镇琴石工业区
 全国顾客服务热线: 4008 800 008

本产品根据国标 GB4706.1-2005, GB4706.9-2008
 制造

PHILIPS

产品 : 飞利浦电动剃须刀
 型号 : HQ6070, HQ6073, HQ6075
 额定电压 : 220V~
 额定频率 : 50Hz
 额定输入功率: 9 W
 生产日期 : 请见产品本体
 产地 : 中国

珠海经济特区飞利浦家庭电器有限公司
 中国珠海市三灶镇琴石工业区
 全国顾客服务热线: 4008 800 008

本产品根据国标 GB4706.1-2005, GB4706.9-2008
 制造

请妥善保管本使用说明书
 发行日期 : 03/07/2012



www.philips.com

100% recycled paper
 100% papier recyclé

4222.002.5411.1

Introduction

Congratulations on your purchase and welcome to Philips! To fully benefit from the support that Philips offers, register your product at www.philips.com/welcome.

General description (Fig. 1)

- 1 Trimmer
- 2 Trimmer release button
- 3 Socket for small plug
- 4 Adapter
- 5 Small plug
- 6 Battery symbol
- 7 On/off button
- 8 Shaving unit release button
- 9 Shaving unit
- 10 Protection cap
- 11 Pouch (not shown)

Important

Read this user manual carefully before you use the appliance and save it for future reference.

Danger

- Warning: Keep the adapter dry.
- This symbol means: Forbidden to rinse the adapter under a running tap (Fig. 2).

Warning

- The adapter contains a transformer. Do not cut off the adapter to replace it with another plug, as this causes a hazardous situation.
- This symbol means: Forbidden to use in the shower (Fig. 3).
- Warning: Do not use this appliance close to a bathtub, shower or other containers filled with water.
- This appliance is not intended for use by persons (including children) with reduced physical, sensory or mental capabilities, or lack of experience and knowledge, unless they have been given supervision or instruction concerning use of the appliance by a person responsible for their safety.
- Children should be supervised to ensure that they do not play with the appliance.

Caution

- Do not use the shaver or the adapter if it is damaged.
- Only use the adapter supplied.
- If the adapter is damaged, always have it replaced with one of the original type in order to avoid a hazard.

- Charge, use and store the shaver at a temperature between 5°C and 35°C.
- Warning: Remove the detachable cord from the handheld part before cleaning this part in water.
- Be careful with hot water. Always check if the water is not too hot, to avoid burning your hands.
- Water may leak from the socket at the bottom of the appliance when you rinse it. This is normal and not dangerous because all electronics are enclosed in a sealed power unit inside the shaver.
- Do not immerse the shaver in water or another liquid
- Do not use the shaver in combination with pre-shave lotions, creams, foams, gels or other cosmetic products.

General

- This shaver can be safely cleaned under the tap.
- This symbol means: Suitable to be cleaned under a running tap (Fig. 4).
- The adapter transforms 100-240 volts to a safe low voltage of less than 24 volts.

Compliance with standards

- This Philips appliance complies with all standards regarding electromagnetic fields (EMF). If handled properly and according to the instructions in this user manual, the appliance is safe to use based on scientific evidence available today.
- This shaver complies with the applicable IEC safety standards.

Charging

Make sure the appliance is switched off before you start to charge it.

You can recharge the shaver between shaves, even if the battery is not empty. This does not damage the battery and prevents the battery from running low during shaving.

Charging normally takes approx. 8 hours.

Do not leave the appliance connected to the mains for more than 24 hours.

Charge indications

Charging

- ▶ When you start charging the shaver, the battery symbol lights up (Fig. 5).

Battery running low

- ▶ HQ6076/HQ6075/HQ6073: When the battery runs low, the red battery symbol lights up. When you switch off the shaver, the red battery symbol starts flashing. (Fig. 5)

- ▶ HQ6071/HQ6070: There is no indication that the battery is low. The appliance switches off automatically when the battery is completely empty.

Charging the appliance

Charge the appliance when the red battery symbol lights up or flashes (HQ6076/HQ6075/HQ6073) or when the motor stops or starts running more slowly (HQ6071/HQ6070).

- 1 Put the appliance plug in the shaver (Fig. 6).
- 2 Put the adapter in the wall socket.
- 3 When the battery is fully charged, remove the adapter from the wall socket and pull the appliance plug out of the shaver.

Cordless shaving time

A fully charged shaver has a cordless shaving time of up to 40 minutes.

Using the appliance

Shaving

- 1 Press the on/off button once to switch on the shaver.

The light ring lights up.

- 2 Move the shaving heads quickly over your skin, making both straight and circular movements (Fig. 7).

Shaving on a dry face gives the best results. Your skin may need 2 or 3 weeks to get accustomed to the Philips shaving system.

- 3 Press the on/off button once to switch on the shaver.

- 4 To prevent damage to the shaving unit, put the protection cap on the shaver after every use ('click') (Fig. 8).

Trimming

For grooming sideburns and moustache.

- 1 Open the trimmer by pushing the slide upwards (Fig. 9).

The trimmer can be activated while the motor is running.

Cleaning and maintenance

Regular cleaning guarantees better shaving performance.

The easiest and most hygienic way to clean the appliance is to rinse the shaving unit and the hair chamber with hot water every time you have used the appliance.

For thorough cleaning of the shaving heads, we advise you to use Philips Shaving Head Cleaning Spray HQ110.

Every day: shaving unit and hair chamber

Warning: Remove the detachable cord from the handheld part before cleaning this part in water.

Be careful with hot water. Always check if the water is not too hot, to prevent your hands from getting burnt.

- 1 Switch off the shaver, remove the adapter from the wall socket and pull the appliance plug out of the shaver.
- 2 Press the release button (1) and open the shaving unit (2) (Fig. 10).
- 3 Clean the shaving unit and the hair chamber by rinsing them under a hot tap for some time (Fig. 11).

Make sure the inside of the shaving unit and the hair chamber have been cleaned properly.

- 4 Rinse the outside of the appliance (Fig. 12).
- 5 Close the shaving unit and shake off excess water.

Never dry the shaving unit with a towel or tissue, as this may damage the shaving heads.

- 6 Open the shaving unit again and leave it open to let the appliance dry completely (Fig. 13). You can also clean the hair chamber without water by using the brush supplied.

Every six months: shaving heads

- 1 Open the shaving unit. You can also pull the shaving unit off the shaver for easier cleaning.
- 2 To remove the shaving heads, do the following.
 - HQ6076/HQ6075: Remove the retaining frame and take out the shaving heads. (Fig. 14)
 - HQ6073/HQ6071/HQ6070: Open the shaving unit, turn the wheel anticlockwise (1) and remove the retaining frame (2). Then take out the shaving heads (Fig. 15).
- 3 Clean the cutters and guards with the brush supplied (your shaving heads may differ from the one shown in the figure) (Fig. 16).

Do not clean more than one cutter and guard at a time, since they are all matching sets. If you accidentally mix up the cutters and guards, it may take several weeks before optimal shaving performance is restored.

4 Put the shaving heads back into the shaving unit and reassemble the shaving unit (Fig. 17).

- HQ6076/HQ6075: Make sure that the projections of the shaving heads fit into the recesses when you put them back. Then place the retaining frame back into the shaving unit.
- HQ6073/HQ6071/HQ6070: Put the shaving heads back into the shaving unit. Put the retaining frame back into the shaving unit and turn the lock clockwise (your shaving heads may differ from the one shown in the figure).

Note: If you removed the shaving unit from the shaver, reattach it. First insert the hinge of the shaving unit into the slot in the rim of the hair chamber and then push the shaving unit home until it locks into place ('click'). (Fig. 18)

5 Close the shaving unit.

Trimmer

Clean the trimmer every time you have used it.

- 1 Switch off the shaver, remove the adapter from the wall socket and pull the appliance plug out of the shaver.**
- 2 Clean the trimmer with the brush supplied (Fig. 19).**
- 3 Lubricate the trimmer teeth with a drop of sewing machine oil every six months (Fig. 20).**

Storage

- To prevent damage to the shaving unit, put the protection cap on the shaver ('click') (Fig. 8).
- HQ6076/HQ6075/HQ6073: Store the appliance in the pouch.

Replacement

To maintain optimal shaving results, replace the shaving heads every two years. Replace damaged or worn shaving heads with HQ8 Precise Cutting System Shaving Heads.

- 1 Switch off the shaver, remove the adapter from the wall socket and pull the appliance plug out of the shaver.**
- 2 Open the shaving unit.**
You can also pull the shaving unit off the shaver.
- 3 To remove the shaving heads, do the following.**

- HQ6076/HQ6075: Remove the retaining frame and take out the shaving heads. (Fig. 14)
- HQ6073/HQ6071/HQ6070: Open the shaving unit, turn the wheel anticlockwise (1) and remove the retaining frame (2). Then take out the shaving heads (Fig. 15).

4 Put the new shaving heads in the shaving unit and reassemble the shaving unit (Fig. 17).

- HQ6076/HQ6075: Make sure that the projections of the shaving heads fit into the recesses when you put them in the shaving unit. Then place the retaining frame back into the shaving unit.
- HQ6073/HQ6071/HQ6070: Put the shaving heads in the shaving unit. Put the retaining frame back into the shaving unit and turn the lock clockwise (your shaving heads may differ from the one shown in the figure).

Note: If you removed the shaving unit from the shaver, reattach it. First insert the hinge of the shaving unit into the slot in the rim of the hair chamber and then push the shaving unit home until it locks into place ('click'). (Fig. 18)

5 Close the shaving unit.

Ordering accessories

To retain the top performance of your shaver, make sure you clean it regularly and replace its shaving heads at the recommended time. To purchase accessories for your shaver, please visit our online shop at www.shop.philips.com/service. If the online shop is not available in your country, go to your Philips dealer or a Philips service centre. If you have any difficulties obtaining accessories for your shaver, please contact the Philips Consumer Care Centre in your country. You find its contact details in the worldwide guarantee leaflet.

Shaving heads

- We advise you to replace your shaving heads every two years. Always replace with the appropriate shaving heads for your type of shaver (Fig. 21).

Cleaning

- Use Cleaning Spray HQ110 to clean the shaving heads thoroughly.

Accessories available for this shaver

HQ8 Precise Cutting System Shaving Heads.
HQ8505 powerplug.
HQ110 Philips Shaving Head Cleaning Spray.

Environment

- Do not throw away the appliance with the normal household waste at the end of its life, but hand it in at an official collection point for recycling. By doing this, you help to preserve the environment (Fig. 22).
- The built-in rechargeable shaver battery contains substances that may pollute the environment. Always remove the battery before you discard and hand in the shaver at an official collection point. Dispose of the battery at an official collection point for batteries. If you have trouble removing the battery, you can also take the shaver to a Philips service centre. The staff of this centre will remove the battery for you and will dispose of it in an environmentally safe way (Fig. 23).

Disposal of the battery

Only remove the battery if it is completely empty.

- 1 Remove the adapter from the wall socket and pull the appliance plug out of the shaver.**
- 2 Let the shaver run until it stops, undo the screws and open the shaver (Fig. 24).**
- 3 Remove the battery.**

Do not connect the shaver to the mains again after the battery has been removed.

Guarantee and service

If you need information or if you have a problem, please visit the Philips website at www.philips.com/support or contact the Philips Consumer Care Centre in your country. You find its phone number in the worldwide guarantee leaflet. If there is no Consumer Care Centre in your country, go to your local Philips dealer.

Guarantee restrictions

The shaving heads (cutters and guards) are not covered by the terms of the international guarantee because they are subject to wear.

Troubleshooting

This chapter summarises the most common problems you could encounter with the appliance. If you are unable to solve the problem with the information below, visit www.philips.com/support for a list of frequently asked questions or contact the Consumer Care Centre in your country.

Problem	Solution
The shaver does not shave as well as it used to.	You may not have cleaned the appliance properly. Clean the shaving heads thoroughly (see chapter 'Cleaning and maintenance').
	Long hairs may be obstructing the shaving heads. Clean the cutters and guards properly with the brush supplied (see chapter 'Cleaning and maintenance').
	The shaving heads may be damaged or worn. Replace the shaving heads (see chapter 'Replacement').
The shaver does not switch on when I press the on/off button.	The battery may be empty. Recharge the battery (see chapter 'Charging').
The shaving unit has come off the shaver.	Simply reattach the shaving unit by pressing it onto the shaver (see chapter 'Replacement', step 5).

简介

感谢您的惠顾，欢迎光临飞利浦！为了您能充分享受飞利浦提供的支持，请在 www.philips.com/welcome 上注册您的产品。

基本说明 (图 1)

- 1 修发器
- 2 修发器释放钮
- 3 小插头的转换插座
- 4 适配器
- 5 小插头
- 6 电池符号
- 7 开/关按钮
- 8 剃须刀头部件释放按钮
- 9 剃毛刀头部件
- 10 保护盖
- 11 软袋（未显示）

注意事项

使用本产品之前，请仔细阅读本使用说明书，并妥善保管以备日后参考。

危险

- 警告：保持适配器干燥。
- 此符号表示：禁止在水龙头下冲洗适配器。(图 2)

警告

- 电源适配器内含有一个变压器。切勿自行更换插头，否则将导致严重后果。
- 此符号表示：禁止在洗澡或淋浴时使用。(图 3)
- 警告：不要在盛水的浴缸、淋浴、洗脸盆或其他器皿附近使用本器具。
- 本产品不打算由肢体不健全、感觉或精神上有障碍或缺乏相关经验和知识的人（包括儿童）使用，除非有负责他们安全的人对他们使用本产品进行监督或指导。
- 应照看好儿童，确保他们不玩耍本产品。

注意

- 如果剃须刀或适配器已损坏，请勿再使用。
- 只能使用随附的适配器。
- 如果适配器已损坏，则务必更换原装型号适配器，以免发生危险。
- 必须在 5 摄氏度至 35 摄氏度之间的温度下充电、使用和存放剃须刀。
- 警告：将手持部分与电源软线分开后，才能在水中清洗手持部分。
- 使用热水时一定要小心。切记先检查水温是否太高，以防手被烫伤。
- 冲洗产品时，水可能从产品底部的插口漏出。这是正常的，而且没有危险，因为所

有的电子线路都密封在剃须刀内的一个密封壳内。

- 不要将剃须刀浸入水中或其他液体中
- 请勿将本剃须刀与剃须润滑油、面霜、泡沫、凝胶或其它护肤产品结合使用。

概述

- 这款剃须刀可放心在水龙头下清洗。
- 此符号表示：适合用在打开的水龙头下进行清洗。(图 4)
- 电源适配器可将 100-240 伏的电压转换为 24 伏以下的安全低电压。

符合标准

- 这款飞利浦产品符合关于电磁场 (EMF) 的相关标准。据目前的科学证明，如果正确使用并按照本用户手册中的说明进行操作，本产品是安全的。
- 这款剃须刀符合 IEC 家电安全标准。

充电

开始充电之前确保产品电源已关闭。您可以在两次剃须之间为剃须刀充电，即使电池电量尚未耗尽。这不会损坏电池，并且可防止电池在剃须过程中电量不足。一般充电时间大约为 8 小时。

不要将本产品与电源接通超过 24 小时。

充电指示

充电

- ▶ 开始为剃须刀充电时，电池符号将亮起。(图 5)

电池电量不足

- ▶ HQ6076/HQ6075/HQ6073: 当电池电量不足时，红色电池符号将亮起。当关闭剃须刀时，红色电池符号开始闪烁。(图 5)
- ▶ HQ6071/HQ6070: 当电池处于低电量状态时没有提示。电池电量完全耗尽时产品将自动关闭。

为产品充电

当红色电池符号亮起或闪烁时 (HQ6076/HQ6075/HQ6073)，或者当马达停止运转或开始运转缓慢时 (HQ6071/HQ6070)，应为产品充电。

- 1 将产品插头插入剃须刀。(图 6)

- 2 将电源适配器插入电源插座。

- 3 当电池充满电时，从电源插座上拔下适配器，并从剃须刀上拔下产品插头。

不接电源的剃须时间

完全充电的剃须刀在不连接电源的情况下最长可使用达 40 分钟。

使用本产品

剃毛

- 1 按一下开/关按钮打开剃须刀。

光环亮起。

- 2 将剃须刀头在皮肤上快速移动，作直线和迂回动作。(图 7)

在干爽的面部剃须效果最佳。

您的皮肤可能需要 2 到 3 周才能适应飞利浦剃须系统。

- 3 按一下开/关按钮打开剃须刀。

- 4 为防止损坏剃须刀头部件，每次使用后，请将保护盖盖在剃须刀上（可听到“咔嚓”一声）。(图 8)

修发

用于修剪鬓角和小胡子。

- 1 向上推动滑块来打开修发器。(图 9)

当马达运转时，修发器便可以启动。

清洁和保养

为保证更好的剃须效果，剃须刀必须定期清洗。

最简单和最卫生的清洁方法是每次使用完本产品之后，用热水冲洗剃须刀头部件和胡茬储藏室。

为彻底清洁您的剃须刀头，我们建议您使用飞利浦剃须刀头清洁喷雾剂 HQ110。

每天：剃须刀头部件和胡茬储藏室

警告：将手持部分与电源软线分开后，才能在水中清洗手持部分。

使用热水时一定要小心。切记先检查水温是否太高，以防烫手。

- 1 关闭剃须刀电源，从电源插座上拔下适配器，并从剃须刀上拔下产品插头。

- 2 按下释放钮 (1)，打开剃须刀头部件 (2)。(图 10)

- 3 在热水龙头下，冲洗剃须刀头部件和胡茬储藏室一段时间。(图 11)

确保剃须刀头部件和胡茬储藏室的内部已彻底清洁。

- 4 冲洗产品表面。(图 12)

- 5 关闭剃须刀头部件并甩掉多余的水份。

不要用毛巾或纸巾擦拭剃须刀头部件，因为这样可能会损坏剃须刀头。

- 6 再次打开剃须刀头部件，使它保持打开状态，让产品完全晾干。(图 13)

除了冲洗方式外，您还可以使用随附的刷子清洁胡茬储藏室。

每 6 个月：剃须刀头

- 1 打开剃须刀头部件。

您也可以将剃须刀头部件从剃须刀拉出，以便于清洁。

- 2 要拆卸剃须刀头，请执行以下操作。

- HQ6076/HQ6075: 取下固定架并取出剃须刀头。(图 14)

- HQ6073/HQ6071/HQ6070: 打开剃须刀头部件，逆时针方向转动轮轴 (1) 并取下固定架 (2)。然后取出剃须刀头。(图 15)

- 3 用随附的刷子清洁刀片和网罩（剃须刀头可能与图中显示的刀头不同）。(图 16)

不要同时清洁多组刀片和网罩，因为它们都是相互匹配的。如果不小心将刀片和网罩弄混，则需要数周时间才能恢复产品的最佳剃须性能。

- 4 将剃须刀头放回剃须刀头部件并重新组装剃须刀头部件。(图 17)

- HQ6076/HQ6075: 放回时，确保剃须刀头凸起部位正好插入凹陷部位。然后将固定架重新装回剃须刀头部件中。

- HQ6073/HQ6071/HQ6070: 将剃须刀头重新安装到剃须刀头部件上。将固定架装回剃须刀头部件，顺时针转动并锁住（剃须刀头可能与图中显示的刀头不同）。

注意：如果您已从剃须刀卸下剃须刀头部件，请重新安装。首先将剃须刀头部件的铰链插入胡茬储藏室边缘的插槽，然后将剃须刀头部件推到原位，直至其锁定到位（可听到“咔嚓”一声）。(图 18)

- 5 关闭剃须刀头部件。

修发器

每次使用后都要清洁修剪器。

- 1 关闭剃须刀电源，从电源插座上拔下适配器，并从剃须刀上拔下产品插头。

- 2 用随附的刷子清洁修发器。(图 19)

- 3 每六个月用一滴缝纫机油润滑修发器齿。(图 20)

存储

- 为防止损坏剃须刀头部件，请将保护盖盖在剃须刀上（可听到“咔嚓”一声）。(图 8)

- HQ6076/HQ6075/HQ6073: 将产品存放在软袋中。

更换

为保持最佳剃须效果，请每两年更换一次剃须刀头。
损坏或磨损的剃须刀头只能用 HQ8 精确剃须系统剃须刀头更换。

1 关闭剃须刀电源，从电源插座上拔下适配器，并从剃须刀上拔下产品插头。

2 打开剃须刀头部件。

您也可以将剃须刀头部件从剃须刀拉出。

3 要拆卸剃须刀头，请执行以下操作。

- HQ6076/HQ6075: 取下固定架并取出剃须刀头。(图 14)

- HQ6073/HQ6071/HQ6070: 打开剃须刀头部件，逆时针方向转动轮轴 (1) 并取下固定架 (2)。然后取出剃须刀头。(图 15)

4 将新剃须刀头放入剃须刀头部件并重新组装剃须刀头部件。(图 17)

- HQ6076/HQ6075: 放入剃须刀头部件时，确保剃须刀头的凸起部位正好插入凹陷部位。将固定架重新装回剃须刀头部件。

- HQ6073/HQ6071/HQ6070: 将剃须刀头放入剃须刀头部件。将固定架装回剃须刀头部件，然后顺时针转动锁 (剃须刀头可能与图中显示的刀头不同)。

注意：如果您已从剃须刀卸下剃须刀头部件，请重新安装。首先将剃须刀头部件的铰链插入胡茬储藏室边缘的插槽，然后将剃须刀头部件推到原位，直至其锁定到位 (可听到“咔哒”一声)。(图 18)

5 关闭剃须刀头部件。

订购附件

为了保持剃须刀的最佳性能，请确保定期清洁并在推荐的时间更换剃须刀头。

要为您的剃须刀购买附件，请访问我们的网上商城：www.shop.philips.com/service。如果您所在国家/地区没有网上商城，请联系您的飞利浦经销商或飞利浦服务中心。如果您购买剃须刀的附件有困难，请联系您所在国家/地区的飞利浦客户服务中心。可在全球保修卡中找到其详细联系信息。

剃须刀头

- 建议您每两年更换一次剃须刀头。务必使用适合剃须刀类型的剃须刀头进行更换。(图 21)

清洁

- 使用清洁喷雾剂 HQ110 彻底清洁剃须刀头。

此剃须刀的可用附件

HQ8 精确剃须系统的剃须刀头。

HQ8505 电源插头。

HQ110 飞利浦剃须刀头清洁喷雾剂。

环保

- 弃置产品时，请不要将其与一般生活垃圾堆放在一起；应将其交给官方指定的回收点。这样做有利于环保。(图 22)

- 内置充电电池含有可能会污染环境的物质。丢弃剃须刀时，一定要将电池取出，并将剃须刀送到官方指定的回收站。到官方指定的电池回收站处理电池。如果您在取出电池时遇到问题，您也可以将剃须刀送至飞利浦维修中心。维修中心的员工会帮您取出电池，并以环保的方式处理它。(图 23)

处理电池

仅在电池电量完全耗尽后方可取出电池。

1 从电源插座上拔下适配器，并从剃须刀上拔下产品插头。

2 让剃须刀运转直到停止，拧下螺钉并打开剃须刀。(图 24)

3 取出电池。

取出电池后，不要再将剃须刀与电源连接在一起。

保修与服务

如果您需要了解信息或有任何疑问，请访问飞利浦网站：www.philips.com/support。您也可以联系您所在国家/地区的飞利浦客户服务中心 (可在全球保修卡中找到其电话号码)。如果您所在的国家/地区没有客户服务中心，请向当地的飞利浦经销商求助。

保修条款

由于剃须刀头 (刀片和网罩) 属于易磨损物品，因此不在国际保修条款的涵盖范围之列。

故障种类和处理方法

本章归纳了使用本产品时最常见的一些问题。如果您无法根据以下信息解决问题，请访问 www.philips.com/support 查阅常见问题列表，或联系您所在国家/地区的客户服务中心。

问题	解决方法
剃须刀的剃须效果没有以前好。	您可能没有正确清洁本产品。请彻底清洁剃须刀头 (见“清洁和保养”一章)。

问题	解决方法
	过长的胡须可能堵塞了剃须刀头。请使用随附的刷子正确清洁刀片和网罩 (见“清洁和保养”一章)。

	剃须刀头可能已损坏或磨损。请更换剃须刀头 (见“更换”一章)。
--	---------------------------------

按下开/关按钮时，剃须刀不能启动。	电池可能没电。为电池充电 (见“充电”一章)。
-------------------	-------------------------

剃须刀头部件从剃须刀上脱落了。	只需重新安装剃须刀头部件，将其按到剃须刀上 (见“更换”一章，步骤 5)。
-----------------	---------------------------------------