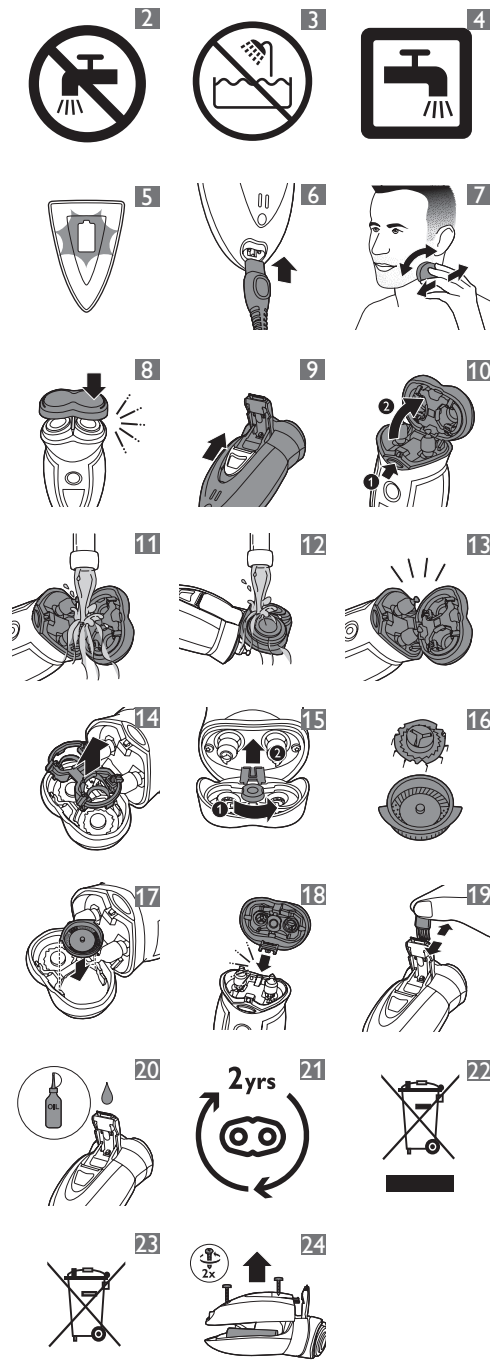
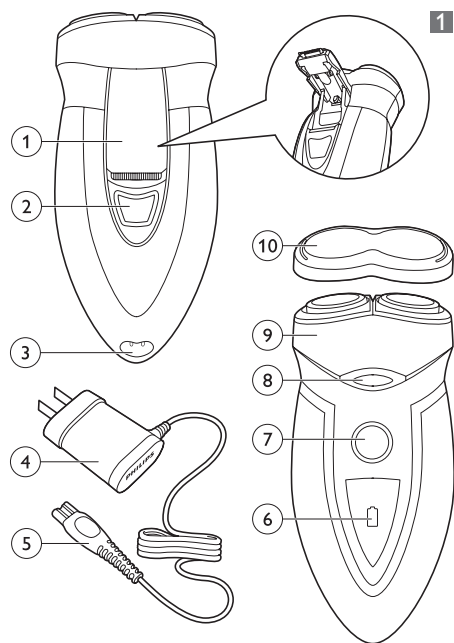




**PHILIPS**



**ENGLISH**

**Introduction**

Congratulations on your purchase and welcome to Philips! To fully benefit from the support that Philips offers, register your product at [www.philips.com/welcome](http://www.philips.com/welcome).

**General description (Fig. 1)**

- 1 Trimmer
- 2 Trimmer release button
- 3 Socket for small plug
- 4 Adapter
- 5 Small plug
- 6 Battery symbol
- 7 On/off button
- 8 Shaving unit release button
- 9 Shaving unit
- 10 Protection cap
- 11 Pouch (not shown)

**Important**

Read this user manual carefully before you use the appliance and save it for future reference.

- Danger**
- Warning: Keep the adapter dry.
  - This symbol means: Forbidden to rinse the adapter under a running tap (Fig. 2).

- Warning**
- The adapter contains a transformer. Do not cut off the adapter to replace it with another plug, as this causes a hazardous situation.
  - This symbol means: Forbidden to use in the shower (Fig. 3).
  - Warning: Do not use this appliance close to a bathtub, shower or other containers filled with water.
  - This appliance is not intended for use by persons (including children) with reduced physical, sensory or mental capabilities, or lack of experience and knowledge, unless they have been given supervision or instruction concerning use of the appliance by a person responsible for their safety.
  - Children should be supervised to ensure that they do not play with the appliance.

- Caution**
- Do not use the shaver or the adapter if it is damaged.
  - Only use the adapter supplied.
  - If the adapter is damaged, always have it replaced with one of the original type in order to avoid a hazard.



- Charge, use and store the shaver at a temperature between 5°C and 35°C.
- Warning: Remove the detachable cord from the handheld part before cleaning this part in water.
- Be careful with hot water. Always check if the water is not too hot, to avoid burning your hands.
- Water may leak from the socket at the bottom of the appliance when you rinse it. This is normal and not dangerous because all electronics are enclosed in a sealed power unit inside the shaver.
- Do not immerse the shaver in water or another liquid
- Do not use the shaver in combination with pre-shave lotions, creams, foams, gels or other cosmetic products.

### General

- This shaver can be safely cleaned under the tap.
- This symbol means: Suitable to be cleaned under a running tap (Fig. 4).
- The adapter transforms 100-240 volts to a safe low voltage of less than 24 volts.

### Compliance with standards

- This Philips appliance complies with all standards regarding electromagnetic fields (EMF). If handled properly and according to the instructions in this user manual, the appliance is safe to use based on scientific evidence available today.
- This shaver complies with the applicable IEC safety standards.

### Charging

Make sure the appliance is switched off before you start to charge it.

You can recharge the shaver between shaves, even if the battery is not empty. This does not damage the battery and prevents the battery from running low during shaving.

Charging normally takes approx. 8 hours.

**Do not leave the appliance connected to the mains for more than 24 hours.**

### Charge indications

#### Charging

- ▶ When you start charging the shaver, the battery symbol lights up (Fig. 5).

#### Battery running low

- ▶ HQ6076/HQ6075/HQ6073: When the battery runs low, the red battery symbol lights up. When you switch off the shaver, the red battery symbol starts flashing. (Fig. 5)

- ▶ HQ6071/HQ6070: There is no indication that the battery is low. The appliance switches off automatically when the battery is completely empty.

### Charging the appliance

Charge the appliance when the red battery symbol lights up or flashes (HQ6076/HQ6075/HQ6073) or when the motor stops or starts running more slowly (HQ6071/HQ6070).

- 1 Put the appliance plug in the shaver (Fig. 6).
- 2 Put the adapter in the wall socket.
- 3 When the battery is fully charged, remove the adapter from the wall socket and pull the appliance plug out of the shaver.

### Cordless shaving time

A fully charged shaver has a cordless shaving time of up to 40 minutes.

### Using the appliance

#### Shaving

- 1 Press the on/off button once to switch on the shaver.  
The light ring lights up.
- 2 Move the shaving heads quickly over your skin, making both straight and circular movements (Fig. 7).

Shaving on a dry face gives the best results. Your skin may need 2 or 3 weeks to get accustomed to the Philips shaving system.

- 3 Press the on/off button once to switch on the shaver.
- 4 To prevent damage to the shaving unit, put the protection cap on the shaver after every use ('click') (Fig. 8).

#### Trimming

For grooming sideburns and moustache.

- 1 Open the trimmer by pushing the slide upwards (Fig. 9).

The trimmer can be activated while the motor is running.

### Cleaning and maintenance

Regular cleaning guarantees better shaving performance.

The easiest and most hygienic way to clean the appliance is to rinse the shaving unit and the hair chamber with hot water every time you have used the appliance.

For thorough cleaning of the shaving heads, we advise you to use Philips Shaving Head Cleaning Spray HQ110.

### Every day: shaving unit and hair chamber

**Warning: Remove the detachable cord from the handheld part before cleaning this part in water.**

**Be careful with hot water. Always check if the water is not too hot, to prevent your hands from getting burnt.**

- 1 Switch off the shaver, remove the adapter from the wall socket and pull the appliance plug out of the shaver.
- 2 Press the release button (1) and open the shaving unit (2) (Fig. 10).
- 3 Clean the shaving unit and the hair chamber by rinsing them under a hot tap for some time (Fig. 11).

Make sure the inside of the shaving unit and the hair chamber have been cleaned properly.

- 4 Rinse the outside of the appliance (Fig. 12).
- 5 Close the shaving unit and shake off excess water.

**Never dry the shaving unit with a towel or tissue, as this may damage the shaving heads.**

- 6 Open the shaving unit again and leave it open to let the appliance dry completely (Fig. 13).  
You can also clean the hair chamber without water by using the brush supplied.

### Every six months: shaving heads

- 1 Open the shaving unit.  
You can also pull the shaving unit off the shaver for easier cleaning.
- 2 To remove the shaving heads, do the following.
  - HQ6076/HQ6075: Remove the retaining frame and take out the shaving heads. (Fig. 14)
  - HQ6073/HQ6071/HQ6070: Open the shaving unit, turn the wheel anticlockwise (1) and remove the retaining frame (2). Then take out the shaving heads (Fig. 15).
- 3 Clean the cutters and guards with the brush supplied (your shaving heads may differ from the one shown in the figure) (Fig. 16).

Do not clean more than one cutter and guard at a time, since they are all matching sets. If you accidentally mix up the cutters and guards, it may take several weeks before optimal shaving performance is restored.

- 4 Put the shaving heads back into the shaving unit and reassemble the shaving unit (Fig. 17).

- HQ6076/HQ6075: Make sure that the projections of the shaving heads fit into the recesses when you put them back. Then place the retaining frame back into the shaving unit.
- HQ6073/HQ6071/HQ6070: Put the shaving heads back into the shaving unit. Put the retaining frame back into the shaving unit and turn the lock clockwise (your shaving heads may differ from the one shown in the figure).

*Note: If you removed the shaving unit from the shaver, reattach it. First insert the hinge of the shaving unit into the slot in the rim of the hair chamber and then push the shaving unit home until it locks into place ('click'). (Fig. 18)*

- 5 Close the shaving unit.

### Trimmer

Clean the trimmer every time you have used it.

- 1 Switch off the shaver, remove the adapter from the wall socket and pull the appliance plug out of the shaver.
- 2 Clean the trimmer with the brush supplied (Fig. 19).
- 3 Lubricate the trimmer teeth with a drop of sewing machine oil every six months (Fig. 20).

### Storage

- To prevent damage to the shaving unit, put the protection cap on the shaver ('click') (Fig. 8).
- HQ6076/HQ6075/HQ6073: Store the appliance in the pouch.

### Replacement

To maintain optimal shaving results, replace the shaving heads every two years. Replace damaged or worn shaving heads with HQ8 Precise Cutting System Shaving Heads.

- 1 Switch off the shaver, remove the adapter from the wall socket and pull the appliance plug out of the shaver.
- 2 Open the shaving unit.  
You can also pull the shaving unit off the shaver.
- 3 To remove the shaving heads, do the following.

- HQ6076/HQ6075: Remove the retaining frame and take out the shaving heads. (Fig. 14)
- HQ6073/HQ6071/HQ6070: Open the shaving unit, turn the wheel anticlockwise (1) and remove the retaining frame (2). Then take out the shaving heads (Fig. 15).

#### 4 Put the new shaving heads in the shaving unit and reassemble the shaving unit (Fig. 17).

- HQ6076/HQ6075: Make sure that the projections of the shaving heads fit into the recesses when you put them in the shaving unit. Then place the retaining frame back into the shaving unit.
- HQ6073/HQ6071/HQ6070: Put the shaving heads in the shaving unit. Put the retaining frame back into the shaving unit and turn the lock clockwise (your shaving heads may differ from the one shown in the figure).

*Note: If you removed the shaving unit from the shaver, reattach it. First insert the hinge of the shaving unit into the slot in the rim of the hair chamber and then push the shaving unit home until it locks into place ('click'). (Fig. 18)*

#### 5 Close the shaving unit.

### Ordering accessories

To retain the top performance of your shaver, make sure you clean it regularly and replace its shaving heads at the recommended time. To purchase accessories for your shaver, please visit our online shop at [www.shop.philips.com/service](http://www.shop.philips.com/service). If the online shop is not available in your country, go to your Philips dealer or a Philips service centre. If you have any difficulties obtaining accessories for your shaver, please contact the Philips Consumer Care Centre in your country. You find its contact details in the worldwide guarantee leaflet.

#### Shaving heads

- We advise you to replace your shaving heads every two years. Always replace with the appropriate shaving heads for your type of shaver (Fig. 21).

#### Cleaning

- Use Cleaning Spray HQ110 to clean the shaving heads thoroughly.

#### Accessories available for this shaver

HQ8 Precise Cutting System Shaving Heads.  
HQ8505 powerplug.  
HQ110 Philips Shaving Head Cleaning Spray.

### Environment

- Do not throw away the appliance with the normal household waste at the end of its life, but hand it in at an official collection point for recycling. By doing this, you help to preserve the environment (Fig. 22).
- The built-in rechargeable shaver battery contains substances that may pollute the environment. Always remove the battery before you discard and hand in the shaver at an official collection point. Dispose of the battery at an official collection point for batteries. If you have trouble removing the battery, you can also take the shaver to a Philips service centre. The staff of this centre will remove the battery for you and will dispose of it in an environmentally safe way (Fig. 23).

### Disposal of the battery

Only remove the battery if it is completely empty.

- 1 Remove the adapter from the wall socket and pull the appliance plug out of the shaver.
- 2 Let the shaver run until it stops, undo the screws and open the shaver (Fig. 24).
- 3 Remove the battery.

Do not connect the shaver to the mains again after the battery has been removed.

### Guarantee and service

If you need information or if you have a problem, please visit the Philips website at [www.philips.com/support](http://www.philips.com/support) or contact the Philips Consumer Care Centre in your country. You find its phone number in the worldwide guarantee leaflet. If there is no Consumer Care Centre in your country, go to your local Philips dealer.

#### Guarantee restrictions

The shaving heads (cutters and guards) are not covered by the terms of the international guarantee because they are subject to wear.

### Troubleshooting

This chapter summarises the most common problems you could encounter with the appliance. If you are unable to solve the problem with the information below, visit [www.philips.com/support](http://www.philips.com/support) for a list of frequently asked questions or contact the Consumer Care Centre in your country.

Problem	Solution
The shaver does not shave as well as it used to.	You may not have cleaned the appliance properly. Clean the shaving heads thoroughly (see chapter 'Cleaning and maintenance').  Long hairs may be obstructing the shaving heads. Clean the cutters and guards properly with the brush supplied (see chapter 'Cleaning and maintenance').  The shaving heads may be damaged or worn. Replace the shaving heads (see chapter 'Replacement').
The shaver does not switch on when I press the on/off button.	The battery may be empty. Recharge the battery (see chapter 'Charging').
The shaving unit has come off the shaver.	Simply reattach the shaving unit by pressing it onto the shaver (see chapter 'Replacement', step 5).

## 簡介

感謝您購買本產品並歡迎加入飛利浦！請於 [www.philips.com/welcome](http://www.philips.com/welcome) 註冊您的產品，以善用飛利浦提供的支援。

## 一般說明 (圖 1)

- 修整刀
- 修整刀釋放鈕
- 小插頭插座
- 轉換器
- 小插頭
- 電池符號
- 開/關按鈕
- 刮鬍刀頭組釋放按鈕
- 除毛刀頭組
- 保護蓋
- 旅行袋 (說明書中未顯示)

## 重要事項

在使用本產品前，請先仔細閱讀本使用手冊，並保留使用手冊以供日後參考。

### 危險

- 警示：請保持轉換器乾燥。
- 此符號表示：禁止在水龍頭下清洗轉換器。(圖 2)

### 警示

- 轉換器內含一個變壓器。請勿切斷轉換器而以其他插頭取代，否則會造成危險。
- 此符號表示：禁止在淋浴時使用。(圖 3)
- 警告：請勿在浴缸、淋浴間或其他裝水器附近使用本產品。
- 基於安全考慮，在缺乏監督及適當指示之下，本產品不適用於孩童及任何身體、知覺、或心理功能障礙者，或缺乏使用經驗及知識者。
- 請勿讓孩童使用本產品或將本產品當成玩具。

### 警告

- 電鬍刀或變壓器損壞時，請勿使用。
- 只能使用產品所附的充電器。
- 如果轉換器損壞，請務必使用原型號的轉換器進行更換，以免發生危險。
- 請於 5° C 到 35° C 間充電、使用並存放電鬍刀。
- 警示：請先取下握把零件的可拆式電源線，再於水中清洗此零件。
- 請小心使用熱水。隨時檢查熱水是否太燙，以避免手部燙傷。
- 在您沖洗時，水可能會從電鬍刀底部的插孔流出。此為正常現象，不會造成危險，因為所有的電子零件都密封於電鬍刀機殼內。

- 請勿將電鬍刀浸在水或其他液體中
- 使用電鬍刀時，請勿搭配任何刮鬍水、乳霜、乳液、凝露或其他其他化妝品。

### 一般

- 此電鬍刀可在水龍頭下安全地清洗。
- 此符號表示：適合在水龍頭下清洗。(圖 4)
- 轉換器可將 100-240 伏特的電壓轉換為低於 24 伏特的安全低電壓。

### 符合標準

- 本飛利浦產品符合電磁波 (Electromagnetic fields, EMF) 所有相關標準。只要使用方式正確並依照本使用手冊之說明進行操作，根據現有的科學研究資料，使用本產品並無安全顧慮。
- 本電鬍刀符合適用的 IEC 安全標準。

## 充電

在您開始進行充電之前，請確定將電鬍刀的電源關閉。即使電池電量尚未用盡，您也可以在此兩次刮鬍間將電鬍刀重新充電。這麼做並不會損壞電池，並可在刮鬍時避免電池電力不足。充電一般約需 8 小時。

**不要讓電鬍刀連續連接電源插座超過 24 小時。**

### 充電指示

#### 充電

- 當您開始為電鬍刀充電時，電池符號會亮起。(圖 5)

#### 電池電力不足

- HQ6076/HQ6075/HQ6073：電池快沒電時，紅色的電池符號會亮起。關閉電鬍刀電源時，紅色的電池符號則會開始閃爍。(圖 5)
- HQ6071/HQ6070：電池電力不足時並不會提示。電力用盡時會自動關閉電源。

#### 充電

在電池符號亮起紅燈或閃爍時 (HQ6076/HQ6075/HQ6073)，或者馬達停止運轉或轉速變慢時 (HQ6071/HQ6070)，請為本產品充電。

- 將電源線的一端插在電鬍刀機體的電源插孔中。(圖 6)
- 將轉換器插入插座。
- 電池完全充電後，將變壓器從電源插座拔除，並將產品電源線自電鬍刀上拔下。

## 無線刮鬍時間

完全充電的電鬍刀可在不插電的狀態下持續刮鬍約 40 分鐘。

## 使用此產品

### 刮鬍

- 按一下開關 (on/off) 按鈕，開啟電鬍刀電源。指示燈會亮起。
- 將電鬍刀刀頭在皮膚上快速移動，請同時用直線及畫圓的方式來移動。(圖 7) 乾刮可獲得最佳的刮鬍效果。您的皮膚可能需要 2 到 3 週的時間才能完全適應飛利浦電鬍刀系統。
- 按一下開關 (on/off) 按鈕，開啟電鬍刀電源。

- 為避免損害電鬍刀組，每次使用後請蓋上電鬍刀保護蓋 (會聽見「喀噠」一聲)。(圖 8)

### 修剪

適合刮除鬚角及鬍鬚。

- 向上推電源開關鈕即可打開鬚角刀。(圖 9) 馬達轉動時即可使用鬚角刀。

## 清潔與維護

定期清潔以維持較佳的刮鬍效果。清潔本產品最簡單、最衛生的方式，是每次使用後用熱水沖洗電鬍刀頭與鬍渣室。若要徹底清潔電鬍刀刀頭，我們建議您使用飛利浦電鬍刀刀頭噴霧清潔劑 HQ110。

每天：清理電鬍刀組與鬍渣室。

**警示：請先取下握把零件的可拆式電源線，再於水中清洗此零件。**

請小心使用熱水。隨時檢查熱水是否太燙，以避免手部燙傷。

- 關閉電鬍刀電源，將變壓器從電源插座拔除，並將產品電源線自電鬍刀上拔下。
- 按下釋放鈕 (1) 並打開電鬍刀頭 (2)。(圖 10)
- 偶爾在水龍頭下以熱水沖洗清潔電鬍刀組與鬍渣室。(圖 11) 確定刀頭部分與鬍渣室已充分清洗乾淨。
- 沖洗本產品外部。(圖 12)
- 蓋上電鬍刀組，並將多餘的水甩乾。

**切勿使用毛巾或紙巾擦乾電鬍刀組，因為此舉可能會造成電鬍刀刀頭損害。**

- 再一次打開電鬍刀組並保持開啟，讓電鬍刀完全晾乾。(圖 13)

您也可以不用水，而用隨附的刷子來清潔鬍渣室。

## 每半年：電鬍刀刀頭

- 打開電鬍刀組。

您也可以將電鬍刀組從電鬍刀抽出，以方便清潔。

- 若要拆卸電鬍刀刀頭，請執行下列步驟。
  - HQ6076/HQ6075：移除固定架，並取出電鬍刀刀頭。(圖 14)
  - HQ6073/HQ6071/HQ6070：打開電鬍刀組，以逆時針方向轉動轉盤 (1)，並拆下固定架 (2)。然後取出電鬍刀刀頭。(圖 15)

- 請使用隨附的毛刷清潔刀具及刀網 (您的電鬍刀頭外觀可能與圖示不同)。(圖 16) 因為刀片及刀網是成對的一組，請勿一次清潔一組以上。如果您不小心將刀片及刀網混在一起，可能要花幾週的時間才能恢復最理想的刮鬍效果。

- 將電鬍刀刀頭裝回電鬍刀組，並且重新組裝電鬍刀組。(圖 17)
  - HQ6076/HQ6075：放回電鬍刀刀頭時，請確定其凸出部分符合凹陷處，然後將固定架裝回電鬍刀組上。
  - HQ6073/HQ6071/HQ6070：將電鬍刀刀頭裝回電鬍刀組。將固定架裝回電鬍刀組上，並以順時針方向轉動鎖扣 (您的電鬍刀頭外觀可能與圖示不同)。

注意：如果您將電鬍刀組從電鬍刀上取下，請重新裝回。先將電鬍刀組的鉸鏈插回鬍渣室邊緣的槽孔中，並將電鬍刀組推回原位 (會聽見「喀噠」一聲)，即可裝回電鬍刀組。(圖 18)

- 關上電鬍刀組。

### 修整刀

每次使用鬚角刀後，請進行清潔。

- 關閉電鬍刀電源，將變壓器從電源插座拔除，並將產品電源線自電鬍刀上拔下。
- 使用隨附於電鬍刀的刷子來清潔鬚角刀。(圖 19)
- 請每 6 個月以一滴縫紉機油來潤滑鬚角刀的刀齒。(圖 20)

## 收納

- 為避免損害電鬍刀組，請蓋上電鬍刀保護蓋 (會聽見「喀噠」一聲)。(圖 8)
- HQ6076/HQ6075/HQ6073：將本產品存放在收納袋中。

## 更換

為維持最佳的刮鬚效果，請每兩年更換一次電鬚刀刀頭。

更換損壞或磨損的電鬚刀頭時，請使用 HQ8 飛利浦電鬚刀頭。

**1 關閉電鬚刀電源，將變壓器從電源插座拔除，並將產品電源線自電鬚刀上拔下。**

**2 打開電鬚刀組。**

您也可以將電鬚刀組從電鬚刀抽出。

**3 若要拆卸電鬚刀刀頭，請執行下列步驟。**

- HQ6076/HQ6075：移除固定架，並取出電鬚刀刀頭。(圖 14)
- HQ6073/HQ6071/HQ6070：打開電鬚刀組，以逆時針方向轉動轉盤 (1)，並拆下固定架 (2)。然後取出電鬚刀刀頭。(圖 15)

**4 將新的電鬚刀刀頭裝上電鬚刀組，並且重新組裝電鬚刀組。(圖 17)**

- HQ6076/HQ6075：將電鬚刀刀頭放回電鬚刀組時，請確定電鬚刀刀頭的凸出部分符合凹陷處，然後將固定架裝回電鬚刀組上。
- HQ6073/HQ6071/HQ6070：將電鬚刀刀頭裝上電鬚刀組。將固定架裝回電鬚刀組上，並以順時針方向轉動鎖扣 (您的電鬚刀頭外觀可能與圖示不同)。

注意：如果您將電鬚刀組從電鬚刀上取下，請重新裝回。先將電鬚刀組的鉸鏈插回鬚渣室邊緣的槽孔中，並將電鬚刀組推回原位 (會聽見「喀嗒」一聲)，即可裝回電鬚刀組。(圖 18)

**5 關上電鬚刀組。**

## 訂購配件

若要維持電鬚刀的最佳效能，請務必定期清潔電鬚刀，並於建議的時間更換電鬚刀刀頭。如需購買電鬚刀的配件，請造訪我們的線上商店：[www.shop.philips.com/service](http://www.shop.philips.com/service)。若您所在國家/地區沒有線上商店，請聯絡您的飛利浦經銷商或飛利浦服務中心。如果無法取得電鬚刀的配件，請聯絡您所在國家的飛利浦客戶服務中心。如需詳細聯絡資料，請參閱全球保證書。

### 電鬚刀刀頭

- 我們建議您每兩年更換一次電鬚刀刀頭。更換時請一律使用適合您所擁有之電鬚刀類型的電鬚刀刀頭。(圖 21)

### 清潔

- 使用噴霧清潔劑 HQ110 徹底清潔電鬚刀刀頭。

## 本電鬚刀配件

HQ8 精確的切割系統電鬚刀頭。

HQ8505 電源插頭。

HQ110 飛利浦電鬚刀刀頭噴霧清潔劑。

## 環境保護

- 本產品使用壽命結束時請勿與一般家庭廢棄物一併丟棄。請將該產品放置於政府指定的回收站，此舉能為環保盡一份心力。(圖 22)
- 本電鬚刀使用的充電電池含有會污染環境的物質。在丟棄本用品前，或是將該產品放到政府指定回收站前，請務必卸除電池。將電池送到政府指定的電池回收站。若您在拆卸電池時遇到問題，可將本用品帶到飛利浦授權服務中心。服務中心會為您卸下電池，並以對環境無害的方式處理電池。(圖 23)

## 電池棄置

**必須將電池電力完全耗盡後才能拆卸電池。**

**1 將變壓器自電源插座拔出，並將產品插頭從電鬚刀拔下。**

**2 讓電鬚刀持續運轉直到完全停止為止，拆下螺絲並拆開電鬚刀本體。(圖 24)**

**3 取出電池。**

**取出電池後，請不要再把電鬚刀接上電源插座。**

## 保固與服務

若您需要相關資訊或是有任何問題，請瀏覽飛利浦網站：[www.philips.com/support](http://www.philips.com/support)，或者聯絡您當地國家的飛利浦客戶服務中心，您可以在全球保證書上找到聯絡電話。若您當地國家沒有客戶服務中心，請洽詢當地的飛利浦經銷商。

### 保固限制

電鬚刀刀頭 (刀具和刀網) 由於其耗損性，因此不在全球保固範圍內。

## 故障排除

本章概述您使用本產品時最常遇到的問題。如果您無法利用以下資訊解決您遇到的問題，請造訪 [www.philips.com/support](http://www.philips.com/support)，上面列有常見問題清單，或聯絡您所在國家/地區的客戶服務中心。

問題	解決方法
電鬚刀不像平常一樣運作。	您可能未妥善清潔電鬚刀。請徹底清潔電鬚刀刀頭 (請參閱「清潔與維護」單元)。
	過長的鬚鬚卡住電鬚刀刀頭。請使用隨附的毛刷清潔刀具及刀網 (請參閱「清潔與維護」單元)。
	電鬚刀刀頭毀壞或磨損，請更換電鬚刀頭 (請參閱「更換」單元)。
我按下開/關按鈕時，電鬚刀沒有開始運作。	電池可能沒電了，請為電池充電 (請參閱「充電」單元)。

電鬚刀組脫離電鬚刀 只要將電鬚刀組壓入電鬚刀，重新裝上即可 (請參閱「更換」單元的步驟 5)。