

PHILIPS

HU4706



EN User manual

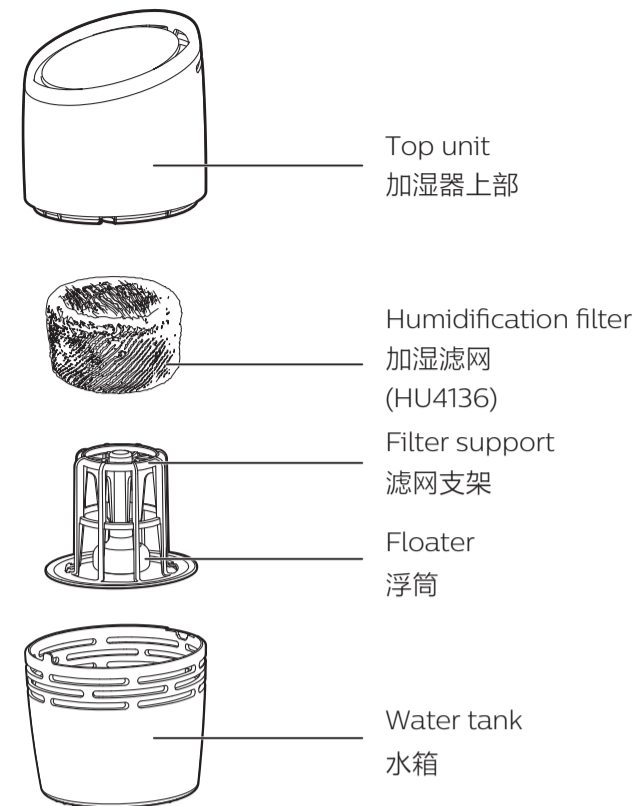
ZH-S 使用手册



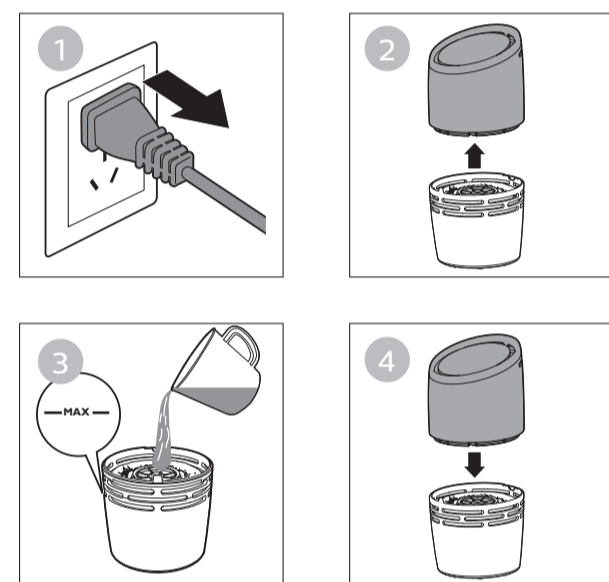
©2018 Koninklijke Philips N.V.
保留所有权利
出版日期: 2018-01-29
保留备用
4241 210 73754



1 Overview 概述



4 Refill water 加水

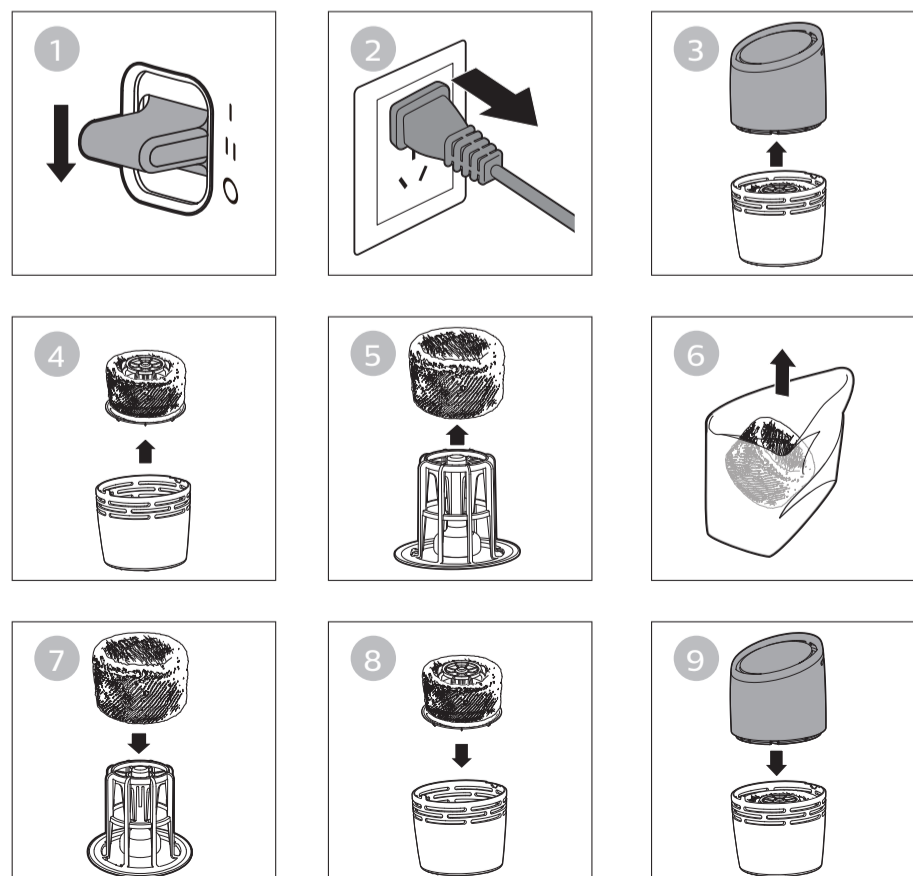


- Note:**
- Do not shake the water tank when moving it, or water might leak from the air inlets.
 - Do not refill water through the air outlets on top of the humidifier.

- 注意:**
- 移动水箱时请勿摇晃, 否则水可能会从进风口溢出。
 - 请勿从加湿器顶部的出风口加水。

6 Replace the humidification filter 更换加湿滤网

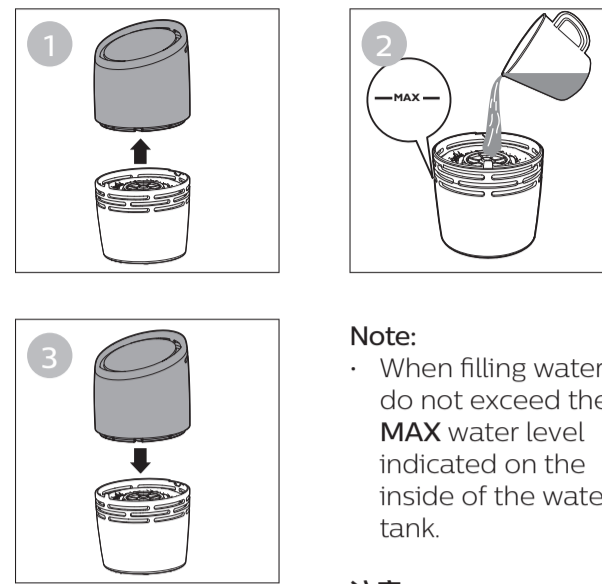
更换加湿滤网



- Note:**
- Replace the humidification filter every three months for optimal performance. If the filter is in good condition, you could use it for a longer period of time. Make sure to replace the humidification filter at least once a year.
 - Use only Philips original humidification filter **HU4136**.
 - Register your product at www.philips.com or call our Consumer Care Center for further information on how to replace your filter.

- 注意:**
- 每三个月更换一次加湿滤网, 以获得最佳性能。如果加湿滤网状况良好, 则可以使用更长的时间。但确保每年至少更换一次加湿滤网。
 - 仅使用飞利浦原装加湿滤网 **HU4136**。
 - 在 www.philips.com 上注册产品或致电我们的客户服务中心, 轻松了解关于如何更换加湿滤网的更多信息。

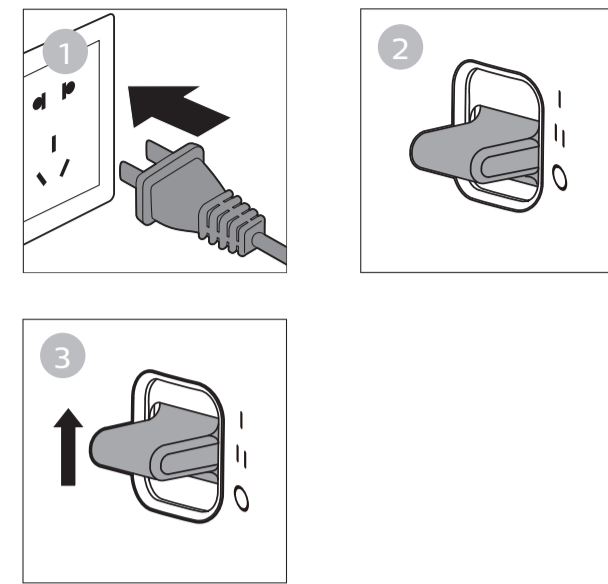
2 Prepare for humidification 加湿准备



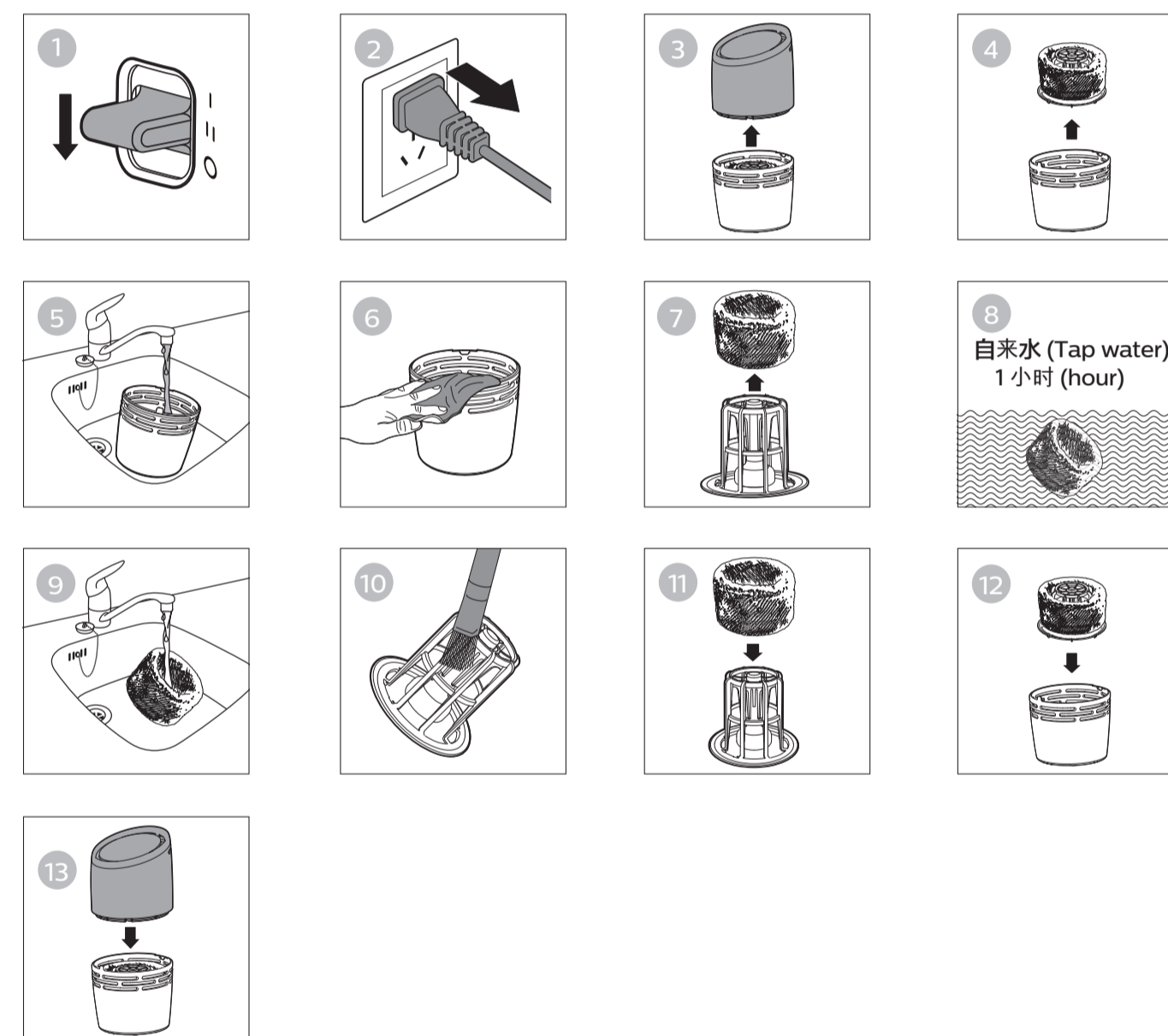
- Note:**
- When filling water, do not exceed the **MAX** water level indicated on the inside of the water tank.

- 注意:**
- 加水时, 不要超过水箱内部的最大水位线 **MAX**。

3 Switch on the humidifier 开启加湿器



5 Clean the water tank, humidification filter and filter support 清洁水箱、加湿滤网和滤网架



- Note:**
- Before cleaning the water tank, switch off the humidifier and remove the plug from the power socket.
 - Never use abrasive, aggressive, or flammable cleaning agents such as bleach or alcohol to clean any part of the humidifier.
 - Clean the water tank and rinse the humidification filter every week to keep it hygienic.
 - Regularly clean the inside and outside of the humidifier to prevent dust from collecting. Clean the body of the humidifier, the air inlet and the air outlet with a soft dry cloth.
 - Soak the filter in tap water for 1 hour, and then rinse it under a slowly running tap. Do not squeeze or wring the filter when cleaning.
 - Let excess water drip off the humidification filter, and air dry the filter. Do not dry the humidification filter under direct sunlight.

- 注意:**
- 清洁加湿器前, 务必先关闭产品并将电源插头拔掉。
 - 切勿使用研磨性、腐蚀性或易燃性清洁剂 (例如漂白剂或酒精) 清洁加湿器的任何部件。
 - 每周清洁水箱并冲洗加湿滤网, 使其保持卫生。
 - 定期清洁加湿器的内侧和外侧, 防止灰尘积聚。使用柔软的干布擦去加湿器身上的灰尘并清洁进风口和出风口。
 - 将加湿滤网在自来水中浸泡 1 小时, 然后在慢速水流下冲洗滤网。清洗加湿滤网时不要挤压或用力拧。
 - 滤干加湿滤网上的多余水分, 并让其自然风干。不要将加湿滤网放在阳光直射的地方晾干。

English

1 Your humidifier

Congratulations on your purchase, and welcome to Philips!
To fully benefit from the support that Philips offers, register your product at www.philips.com/welcome. The Philips humidifier brings fresh, humidified air for the health of you and your family. It offers you advanced evaporation system with NanoCloud technology, using a special humidification filter adds H₂O molecules to the dry air, and produces healthy humid air without formation of water mist. Its humidification filter retains bacteria, calcium and other particles from the water. It delivers only healthy humidified air. No more dry air in the winter season or from the air conditioning. Read this user manual carefully before you install and use the humidifier. Save it for future reference.

2 Important

Read this user manual carefully before you use the humidifier, and save it for future reference.

Danger

- Do not spray any flammable materials such as insecticides or fragrance around the humidifier.
- The water in the water tank is not suitable for drinking. Do not drink this water and do not use it to feed animals or to water plants. When you empty the water tank, pour the water down the drain.

Warning

- Check if the voltage indicated on the bottom of the humidifier corresponds to the local power voltage before you connect the humidifier.
- If the power cord is damaged, you must have it replaced by Philips, a service center authorized by Philips, or similarly qualified persons in order to avoid a hazard.
- Do not use the humidifier if the plug, the power cord, or the humidifier itself is damaged.
- This appliance can be used by children aged from 8 years and above and persons with reduced physical, sensory or mental capabilities or lack of experience and knowledge if they have been given supervision or instruction concerning use of the appliance in a safe way and understand the hazards involved. Children shall not play with the appliance. Cleaning and user maintenance shall not be made by children without supervision.
- Do not block the air inlet and outlet, e.g. by placing items on the air outlet or in front of the air inlet.

Caution

- If the power socket used to power the humidifier has poor connections, the plug of the humidifier becomes hot. Make sure that you plug the humidifier into a properly connected power socket.
- Always place and use the humidifier on a dry, stable, level, and horizontal surface.
- Do not place anything on top of the humidifier and do not sit on the humidifier.
- Make sure that the humidifier is well assembled/connected every time after you clean it or after you remove the top unit and/or water tank for refilling. The humidifier must be properly assembled to deliver a good and safe performance.
- Only use the original Philips filter specially intended for this humidifier. Do not use any other filter.
- Avoid knocking against the humidifier (the air inlet and outlet in particular) with hard objects.
- Do not insert your fingers or objects into the air outlet or the air inlet to prevent physical injury or malfunctioning of the humidifier.
- Do not use this humidifier when you have used indoor smoke-type insect repellents or in places with oily residues, burning incense, or chemical fumes.
- Do not use the humidifier near gas appliances, heating devices or fireplaces.
- Always unplug the humidifier after use and before you clean it.
- Do not fill water from the air outlets on top of the humidifier.
- Place the humidifier properly to prevent children from knocking it over.

- When the humidifier is not used for a long time, bacteria and mold may grow on the filters. Check the filters before you start using the humidifier again. If the filter is very dirty, replace it (see the chapter ‘Replace the humidification filter’).
- Do not wash the filter in a washing machine or dish washer, otherwise the filter will be deformed.
- Clean the water tank and humidification filter every week to keep it clean.
- Only fill the water tank with cold tap water. Do not use ground water or hot water.
- Do not put any substance other than water in the water tank. Do not add fragrance or chemical substance into the water. Use only water (tap, purified, mineral, any sort of potable water).
- If you do not use the humidifier for a long time, clean the water tank and dry the humidification filter.
- If you need to move the humidifier, disconnect the humidifier from the power supply first. Then empty the water tank, and carry the humidifier horizontally.
- Unplug the appliance during filling and cleaning.

Electromagnetic fields (EMF) This Philips appliance complies with all applicable standards and regulations regarding exposure to electromagnetic fields.

Compliance with EMF

Koninklijke Philips N.V. manufactures and sells many products targeted at consumers, which, like any electronic apparatus, in general have the ability to emit and receive electromagnetic signals. One of Philips’ leading Business Principles is to take all necessary health and safety measures for our products, to comply with all applicable legal requirements and to stay well within the EMF standards applicable at the time of producing the products. Philips is committed to develop, produce and market products that cause no adverse health effects. Philips confirms that if its products are handled properly for their intended use, they are safe to use according to scientific evidence available today. Philips plays an active role in the development of international EMF and safety standards, enabling Philips to anticipate further developments in standardization for early integration in its products.

Recycling

Do not throw away the product with the normal household waste at the end of its life, but hand it in at an official collection point for recycling. By doing this, you help to preserve the environment. Follow your country’ s rules for the separate collection of electrical and electronic products. Correct disposal helps prevent negative consequences for the environment and human health.

3 Troubleshooting

This chapter summarizes the most common problems you could encounter with the humidifier. If you are unable to solve the problem with the information below, contact the Consumer Care Center in your country.

Problem	Possible solution
The humidifier does not work.	Make sure that there is power supply to the humidifier. <p>Make sure that the water tank is filled with water and the upper unit is placed properly onto the water tank.</p>
There is no air humidification.	Make sure that the water tank is filled with water and the upper unit is placed properly onto the water tank. <p>Your room might have too much ventilation. Please close doors and windows.</p>
The water tank leaks.	Make sure that the humidifier is not overfilled with water. <p>Make sure that the humidifier is well assembled/connected every time after you clean it or after you remove the upper unit and/or water tank for refilling.</p> <p>Make sure that the water tank is properly placed. If the problem persists, contact the Consumer Care Center in your country.</p>
There are some white deposits on the humidification filter.	The white deposits are called scale and they consist of minerals from the water. Scale on the humidification filter affects the humidifying performance, however it does not harm your health. Please follow the cleaning instructions in the user manual.

Problem	Possible solution
The filter turns yellowish after some time.	The yellow deposit is a natural effect of the wick material, and it has no impact on humidification performance. Cleaning the humidification filter frequently helps to remove the scale. Please replace the humidification filter after three months of using.
There is unpleasant smell coming out from the humidifier.	Make sure that the water tank is filled with water. <p>Clean the humidification filter (see the chapter ‘Clean the humidification filter’).</p>
No air comes out of the air outlet.	Plug the humidifier into the power supply and switch on.
I do not see visible mist coming out of the humidifier. Is it working?	The humidifier has an advanced NanoCloud humidification technology, which produces healthy humid air from the outlet area without formation of water mist. The water vapor is invisible to human eyes. It has less risk of bacteria spreading, and do not wet floor or desktop either.

4 Guarantee and service

If you need information or if you have a problem, please visit the Philips website at www.philips.com or contact the Philips Consumer Care Center in your country (you can find its phone number in the worldwide guarantee leaflet). If there is no Consumer Care Centre in your country, go to your local Philips dealer.

Order parts or accessories

If you have to replace a part or want to purchase an additional part, go to your Philips dealer or visit www.philips.com/support. If you have problems obtaining the parts, please contact the Philips Consumer Care Center in your country (you will find its phone number in the worldwide guarantee leaflet).

简体中文

1 您的加湿器

感谢您的惠顾，欢迎光临飞利浦！为了您能充分享受飞利浦提供的支持，请在 www.philips.com/welcome 上注册您的产品。飞利浦加湿器可为您带来清新湿润空气，以保证您和家人的健康。它可为您提供先进的蒸发系统，应用NanoCloud纳米云技术，通过加湿滤网在干燥空气中加入水分子，湿润空气，实现零水雾健康加湿。特有加湿滤网可以吸附水中的细菌、水垢和其它微粒。它为您提供健康的湿润空气。冬季或使用空调时不再有干燥的空气。在安装和使用加湿器之前，请仔细阅读本用户手册。妥善保管以供日后参考。

2 重要信息

使用产品前请仔细阅读本使用说明书，并妥善保管以供日后参考。

危险

- 切勿将任何可燃材料（例如杀虫剂或香水）喷到加湿器周围。
- 水箱中的水不适合饮用。请勿饮用这些水，也不要用它们喂养动物或浇花。清空水箱时，请将水倒入水槽。

警告

- 在将加湿器接通电源以前，首先确认加湿器底部所标示的电压是否与当地的电源电压相符。
- 如果电源软线损坏，为避免危险，必须由制造厂或其维修部或类似的专职人员进行更换。
- 如果插头、电源线或加湿器本身受损，请勿再使用加湿器。
- 本产品不适合由肢体不健全、感觉或精神上有障碍或缺乏相关经验和知识的人（包括儿童）使用，除非有负责他们安全的人对他们使用本产品进行监督或指导。
- 应照顾好儿童，确保他们不玩耍加湿器。
- 请勿堵塞进风和出风口，例如不要将物体放置在出风口上或进风口前方。

警告

- 如果连接加湿器的电源插座接触不良，则加湿器的插头可能会变得很热。确保加湿器所连接的电源插座接触良好。
- 一定要在干燥、稳固、平整且水平的表面上放置和使用加湿器。
- 切勿在加湿器顶部放置任何物品，也不要坐在加湿器上。
- 每次清洁加湿器后或取下加湿器上部和/或水箱加水后，确保正确组装/连接加湿器。必须正确组装加湿器才能提供良好安全的性能。
- 只能使用飞利浦专门为本加湿器设计的原装加湿滤网。切勿使用任何其它加湿滤网。
- 请勿用硬物敲击加湿器 (尤其是进风口和出风口)。
- 请勿将手指或其他任何物体插入出风口或进风口，以防止手指受伤、加湿器出现物理损坏或发生故障。

- 当您使用室内喷雾式驱虫剂或在充满油污、易燃气体或化学烟雾的地方时，请勿使用本加湿器。
- 请勿在气体用具、加热装置或火炉附近使用加湿器。
- 使用之后和清洁加湿器前，务必先将电源插头拔掉。
- 请勿从加湿器顶部的出风口加水。
- 正确放置加湿器，以防儿童将其打翻。
- 当加湿器长期不使用或不清洁时，加湿滤网上可能会生长细菌或霉菌。重新使用加湿器前，请仔细检查加湿滤网，如果加湿滤网非常脏或有黑色斑点，请更换（请参阅“更换加湿滤网”一章）。
- 请勿在洗衣机或洗碗机中清洗加湿滤网，否则加湿滤网会变形。
- 每周清洁水箱及加湿滤网，使其保持洁净。
- 只能向水箱中注入冷水。切勿使用地下水或热水。
- 切勿将水以外的任何物质放入水箱。请勿在水中添加香水或化学物质。仅使用水（自来水、纯净水、矿泉水及任何可饮用的水）。
- 如果长时间不使用加湿器，请清洁水箱并使加湿滤网干燥。
- 如果需要移动加湿器，请先断开加湿器的电源。然后清空水箱，并且水平搬运加湿器。
- 注水和清洁时，请先拔下电源插头。

电磁场 (EMF)

本飞利浦产品符合所有有关暴露于电磁场的适用标准和法规。

符合 EMF 标准

Koninklijke Philips N.V. 主要面向广大消费者制造和销售各类产品，包括通常能发射和接收电磁信号的各种电子设备。Philips 的主要经营原则之一就是对我们的产品采取各种必要的健康和安全措施，符合所有相应的法律要求，并在生产产品时严格遵照 EMF 标准。Philips 致力于开发、生产和销售对人体健康无任何危害的产品。Philips 确认，据目前的科学证明，如果其产品使用得当，则对人体毫无危害。长期以来，Philips 始终在国际 EMF 和安全标准的制定工作中扮演着积极的角色，这就使 Philips 总能预知标准的发展趋势，并率先应用到其产品中去。

回收

弃置产品时，请不要将它与一般生活垃圾一同丢弃，应将其交给官方指定的回收中心。这样做有利于环保。请遵循您在国家/地区的电器及电子产品分类回收规定。正确弃置产品有助于避免对环境 and 人类健康造成负面影响。

3 故障种类和处理方法

本章归纳了您在使用加湿器时最常遇到的问题。如果您无法根据下面的信息解决问题，请与您所在国家/地区的客户服务中心联系。

问题	可能的解决方法
加湿器无法工作。	确保加湿器接通了电源。 <p>确保水箱装满水并且加湿器上部已正确装回水箱。</p>
没有空气加湿。	确保水箱装满水并且加湿器上部已正确装回水箱。 <p>您的房间通风太多。请关闭门窗。</p>
水箱漏水。	确保加湿器中的水不要装得过满。 <p>每次清洁加湿器后或取下加湿器上部和/或水箱加水后，确保正确组装/连接加湿器。</p> <p>确保正确放置水箱。如果问题仍然存在，请联系您在国家/地区的客户服务中心。</p>
加湿滤网上面有一些白色残留物。	这些白色残留物被称为水垢，它们由水中的矿物质组成。加湿滤网上的水垢会影响加湿性能，但是对人体健康无害。按照使用说明书里的指示来清洁加湿滤网。
一段时间后，加湿滤网会变黄。	黄色物质是加湿滤网所用材质在使用时出现的自然反应，这并不会影响加湿性能。经常清洗加湿滤网以除去这些污渍。每三个月更换一次加湿滤网。
加湿器中发出难闻的气味。	确保水箱装有水。 <p>清洁加湿滤网（请参阅“清洁加湿滤网”一章）。</p>
出风口中没有排出空气。	请将加湿器的插头插入电源插座并启动。
我看不到加湿器中有可见雾冒出。产品是否正在工作？	本加湿器采用 NanoCloud 纳米云加湿技术，湿润空气从加湿器出风口输出，实现零水雾健康加湿。不会产生肉眼看得到的水雾，更低细菌传播风险，也不会打湿地板和桌面。

4 保修与服务

如果您需要了解信息或有任何疑问，请访问 Philips 网站 www.philips.com。您也可以与您所在国家/地区的 Philips 客户服务中心联系（可在全球保修卡中找到 Philips 客户服务中心的电话号码）。如果您所在的国家/地区没有 Philips 客户服务中心，请向当地的 Philips 经销商求助。

订购部件或附件

如果您必须更换部件或需要购买额外的部件，请转到您的 Philips 经销商或访问 www.philips.com/support。如果获取部件有问题，请与您所在国家/地区的 Philips 客户服务中心联系（可在全球保修卡中找到 Philips 客户服务中心的电话号码）。



PHILIPS

产品保用卡

PHILIPS

产品保用卡

PHILIPS

产品保用卡

PHILIPS

产品保用卡

PHILIPS

产品保用卡

服务须知

需要此产品的售后服务，
拨打服务热线：4008 800 008

在维修服务过程中有任何意见，
欢迎致函飞利浦（中国）投资有限公司解决疑难。

PHILIPS

产品保用卡

PHILIPS

产品保用卡

PHILIPS

产品保用卡

产品保用卡

产品保用卡

产品保用卡

产品保用卡

产品保用卡

产品保用卡

产品保用卡

产品保用卡

产品保用卡

产品保用卡

保修条例：

* 在购买日期后二年内，凡经本公司特约维修站人员确认为正常使用情况下，因制造工艺或元器件造成之损坏，您都将获得免费维修服务。

* 此免费服务不包括需时常更换的易耗零配件（吸尘器纸袋，布袋，空气清新机滤网，滤芯，活性炭，咖啡壶过滤网）及附件（如须刀网膜、刀头，咖啡杯，食品加工机杯/刀具等），辅助装置，运输费及维修人员上门服务费。

* 用户请保留此联。

* 维修时请携同此证及发票正本。

* 此证若经涂改即作废。

* 此证须联同发票正本使用方为有效。

* 以下情况将不能获得免费服务

- 使用不当引起的人为损坏，例如接入不当电源、使用不适当配件、不适当之安装、不依说明书使用、错误使用或疏忽而造成损坏等。因运输及其他意外而造成之损坏。非经本公司认可之维修和改装。其他因不可抗力（如自然灾害、电压异常等）造成的损坏。
- 一般家庭以外使用（如工业、商业用）而造成的损坏。
- 正常使用引起的产品老化、磨损等，但不影响产品的正常使用。
- 保修证作为在规定期限及条件之内进行免费维修的保证，并不限制消费者的法定权利。
- 飞利浦提供 2 年全球联保服务，在产品由飞利浦正式销售的所有国家中，都提供保修和保修期满的维修服务。要求保修时，您需提供发票正本，且请求保修的日期还在保修期限内。

产品中有害物质的名称及含量						
部件名称	有害物质					
	铅(Pb)	汞(Hg)	镉(Cd)	六价铬(Cr(VI))	多溴联苯(PBB)	多溴二苯醚(PBDE)
电源线	×	○	○	○	○	○
<p>本表格依据SJ/T 11364的规定编制。</p> <p>○ 表示该有害物质在该部件所有均质材料中的含量均在GB/T 26572规定的限量要求以下。</p> <p>× 表示该有害物质至少在该部件的某一均质材料中的含量超出GB/T 26572规定的限量要求。</p>						

*该表格中所显示的“有害物质”在产品正常使用情况下不会对人身和环境产生任何伤害。

*该表格中所显示的“有害物质”及其存在的部件向消费者和回收处理从业者提供相关物质的存在信息，有助于产品废弃时的妥善处理。

PHILIPS

产品：飞利浦空气加湿器
型号：HU706
额定电压：220V~
额定频率：50Hz
额定输入功率：14W
生产日期：请见产品本体
产地：中国江苏省州

飞利浦（中国）投资有限公司
上海市静安区灵石路718号A1幢
全国顾客服务热线：4008 800 008

本产品根据国标GB4706.1-2005,GB4706.48-2009制造

