

Register your product and get support at
www.philips.com/welcome

RWSS5510

RWSS9500



EN **User manual**

DE **Benutzerhandbuch**

ES **Manual del usuario**

FR **Mode d'emploi**

IT **Manuale utente**

NL **Gebruiksaanwijzing**

PT-BR **Manual do Usuário**

RU **Руководство пользователя**

ZH-TW **使用手冊**

ZH-CN **用户手册**

PHILIPS

Contents

1	Notice	4
	Compliance	4
	Important	4
<hr/>		
2	Connect	5
	Place the wireless receiver	5
	Connect the wireless transmitter	5
	Connect rear speakers to wireless receiver	6
	Connect power cord	6
<hr/>		
3	Troubleshooting	7
<hr/>		
4	Product specifications	7

1 Notice

Compliance



This product is in compliance with the essential requirements and other relevant provisions of Directives 2006/95/EC (Low Voltage), 2004/108/EC (EMC).

Hereby, Philips Consumer Lifestyle, declares that this Wireless Rear Audio System RWSS5510, RWSS9500 is in compliance with the essential requirements and other relevant provisions of Directive 1999/5/EC.

Note

- This equipment has been tested and found to comply with the limits for a Class B,C digital device, pursuant to Part 15 of the FCC Rules. These limits are designed to provide reasonable protection against harmful interference in a residential installation. This equipment generates, uses and can radiate radio frequency energy and, if not installed and used in accordance with the instructions, may cause harmful interference to radio communications. However, there is no guarantee that interference will not occur in a particular installation.

If this equipment does cause harmful interference to radio or television reception, which can be determined by turning the equipment off and on, the user is encouraged to try to correct the interference by one or more of the following measures:

- Reorient or relocate the receiving antenna.
- Increase the separation between the equipment and receiver.
- Connect the equipment into an outlet on a circuit different from that to which the receiver is connected.
- Consult the dealer or an experienced radio/TV technician for help.

Philips
Modelo: RWSS5510, RWSS9500



87 12581 537678

"Este equipamento opera em caráter secundário, isto é, não tem direito a proteção contra interferência prejudicial, mesmo de estações do mesmo tipo, e não pode causar interferência a sistemas operando em caráter primário."

Important

Read and understand all instructions before you use your product. If damage is caused by failure to follow instructions, the warranty does not apply.

Safety

Risk of electric shock or fire!

- Never expose the product and accessories to rain or water. Never place liquid containers, such as vases, near the product. If liquids are spilt on or into the product, disconnect it from the power outlet immediately. Contact Philips Consumer Care to have the product checked before use.
- Never place the product and accessories near naked flames or other heat sources, including direct sunlight.
- Never insert objects into the ventilation slots or other openings on the product.
- Where the mains plug or an appliance coupler is used as the disconnect device, the disconnect device shall remain readily operable.
- Disconnect the product from the power outlet before lightning storms.
- When you disconnect the power cord, always pull the plug, never the cable.

Risk of short circuit or fire!

- Before you connect the product to the power outlet, ensure that the power voltage matches the value printed on the back or bottom of the product. Never connect the product to the power outlet if the voltage is different.

Risk of injury or damage to the product!

- Never place the product or any objects on power cords or on other electrical equipment.
- If the product is transported in temperatures below 5°C, unpack the product and wait until its temperature matches room temperature before connecting it to the power outlet.

Risk of overheating!

- Never install this product in a confined space. Always leave a space of at least four inches around the product for ventilation. Ensure curtains or other objects never cover the ventilation slots on the product.

Disposal of your old product

Your product is designed and manufactured with high quality materials and components, which can be recycled and reused.



When this crossed-out wheeled bin symbol is attached to a product it means that the product is covered by the European Directive 2002/96/EC. Please inform yourself about the local separate collection system for electrical and electronic products.

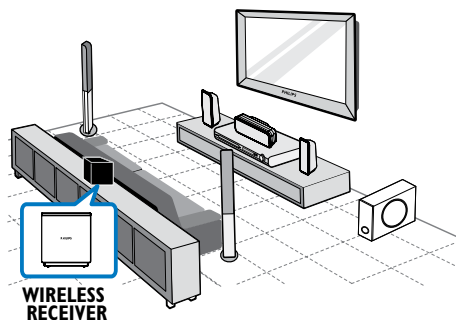
Please act according to your local rules and do not dispose of your old products with your normal household waste.

Correct disposal of your old product helps to prevent potential negative consequences for the environment and human health.

2 Connect

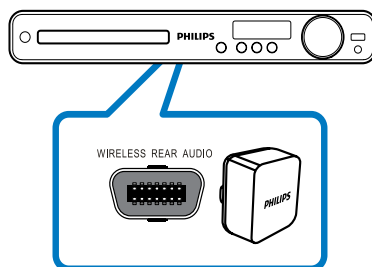
Place the wireless receiver

Place the wireless receiver near the AC outlet and in between the rear speakers. Align the wireless receiver with the home theater, with Philips logo facing the home theater.

**Note**

- For best reception, make sure that the line-of-site between the wireless receiver and the home theater is not blocked by furniture, walls and other objects.

Connect the wireless transmitter



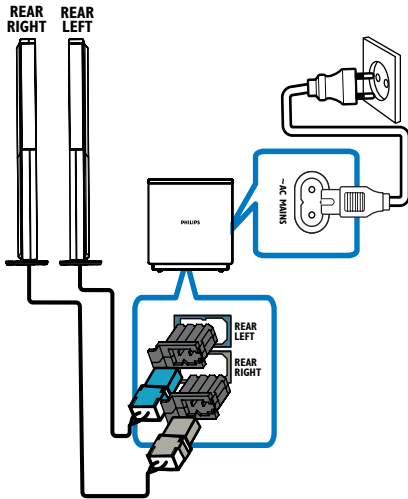
Connect the wireless transmitter to the **WIRELESS REAR AUDIO** connector on the back of the home theater.

Connect rear speakers to wireless receiver

Note

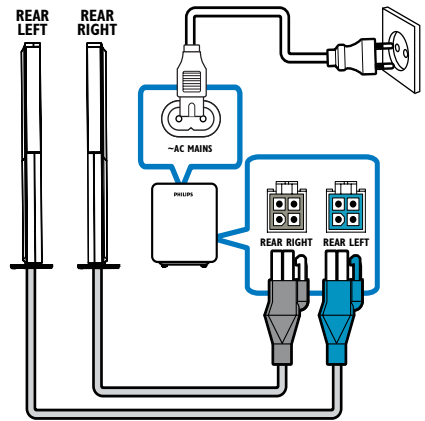
- The rear speakers in the picture showed may vary.

For RWSS5510



Connect the speaker adapters, rear left, and rear right speakers to the matching connectors at the bottom of the wireless receiver.

For RWSS9500



Connect the rear left and rear right speakers to the matching connectors at the back of the wireless receiver.

Connect power cord



Warning

- Risk of product damage! Ensure that the power supply voltage corresponds to the voltage printed on the back or the underside of the product.

Connect the power cords for home theater, wireless receiver and other devices after you have made all of the other connections.

- ↳ The wireless indicator lights and the wireless receiver is ready to use.

3 Troubleshooting

Follow these steps if:

- there is no sound from the rear speakers, and
- the indicator on the wireless receiver blinks continuously for more than one minute.

For home theater with Blu-ray

- 1 Disconnect the power cord and the speaker cables from the wireless receiver for one minute, and place the wireless receiver near the home theater.
- 2 Switch off the home theater and then switch it on again.
- 3 Switch the home theater to either AUX source or MP3 link source.
- 4 Connect the power cord for the wireless receiver.
 - ↳ The indicator on the wireless receiver blinks.
- 5 Press and hold the **Navigation button**, ► (right) until **'PAIRING'** blinks on the home theater display panel.
 - ↳ **'PAIRED'** is displayed.
- 6 Connect the speaker cables to the wireless receiver.
 - ↳ The wireless receiver is ready to use again.
- 7 If **'FAILED'** is displayed, repeat steps 1 to 6.

For other home theater

- 1 Disconnect the power cord from the wireless receiver for a few seconds and connect it back again.
- 2 Press ▲.
- 3 Press **INFO**.
 - ↳ A screen is displayed.
- 4 Press **1**, then press **SURR** within five seconds.
 - ↳ **'PAIRING SUCCESS'** is displayed.
- 5 If **'PAIRING FAIL'** is displayed, repeat steps 1 to 4.

4 Product specifications



Note

- Specification and design are subject to change without notice.

Wireless receiver

For RWSS5510

- Power supply rating: 110-240V; ~50-60 Hz
- Total output power: 250 W (RMS)
- Power consumption: 50 W
- Standby power consumption: ≤ 0.45 W
- Frequency response: 150 Hz ~ 20 kHz
- S/N Ratio: 65 dB (A-Weighted)
- Distortion: 1%
- Dimensions (WxHxD): 126 × 131 × 126 (mm)
- Weight: 1.1 kg

For RWSS9500

- Power supply rating: 110-240V; ~50-60 Hz
- Total output power: 300 W (RMS)
- Power consumption: 40 W
- Standby power consumption: ≤ 0.45 W
- Frequency response: 150 Hz ~ 20 kHz
- S/N Ratio: 65 dB (A-Weighted)
- Distortion: 1%
- Dimensions (WxHxD): 265 × 116 × 106 (mm)
- Weight: 1.4 kg

Wireless transmitter

- Frequency response: 5.8 GHz
- Dimensions (WxHxD): 55 × 53 × 33 (mm)
- Weight: 0.05 kg



Philips Consumer Lifestyle

SGP-1017-CE-RWSS5510/00

(Report No. / Numéro du Rapport)

CE2010

(Year in which the CE mark is affixed / Année au cours de laquelle le marquage CE a été apposé)

EC DECLARATION OF CONFORMITY

(DECLARATION DE CONFORMITE CE)

We / Nous, PHILIPS CONSUMER LIFESTYLE B.V.

(Name / Nom de l'entreprise)

TUSSENDIEPEN 4, 9206 AD DRACHTEN, THE NETHERLANDS

(address / adresse)

Declare under our responsibility that the electrical product(s):

(Déclarons sous notre propre responsabilité que le(s) produit(s) électrique(s):

PHILIPS

RWSS5510/00

(brand name, nom de la marque)

(Type version or model, référence ou modèle)

Wireless Rear Audio

(product description, description du produit)

To which this declaration relates is in conformity with the following harmonized standards:

(Auquel cette déclaration se rapporte, est conforme aux normes harmonisées suivantes)

(title, number and date of issue of the standard / titre, numéro et date de parution de la norme)

EN60065:2002, A1:2006, A11:2008

EN55022:2006

EN61000-3-2:2006

EN61000-3-3:2008

EN62311:2008

IEC62087:2008

IEC62301:2005

EN300 440-1 V1.5.1:2009

EN300 440-2 V1.3.1:2009

EN301 489-1 V1.8.1:2008

EN301 489-3 V1.4.1:2002

Following the provisions of :

(Conformément aux exigences essentielles et autres dispositions pertinentes de:)

2006/95/EC (Low Voltage Directive / Directive Basse Tension 2006/95/CE)

2004/108/EC (EMC Directive / Directive EMC 2004/108/CE)

1999/5/EC (R&TTE Directive / Directive R&TTE 1999/5/CE)

2009/125/EC (ErP Directive / Directive ErP 2009/125/CE)

EC1275/2008 (Regulation for ErP Directive / Règlement pour les ErP Directive)

And are produced under a quality scheme at least in conformity with ISO 9001 or CENELEC

Permanent Documents

(Et sont fabriqués conformément à une qualité au moins conforme à la norme ISO 9001 ou aux Documents Permanents CENELEC)

Safety : N056364

EMC : NEI-ETSE-1-0912C212

EMF : NEI-EMF-1-1003C075

RTTE : NEI-ETSP-1-0912C212

Remarks:

(Remarques:)

Leuven, April 30, 2010

Frank Dethier
Development Manager
Innovation Lab Leuven
Philips Consumer Lifestyle

Frank Dethier

(place, date / lieu, date)

(signature, name and function / signature, nom et fonction)

